



Product Summary

AMOLED	AA Size	Resolution	Drawing Location
G4.5 ^{AMOLED}	1.2" hole	390RGBx390	P4
G4.5 ^{AMOLED}	1.2"	390RGBx390	P5
G4.5 ^{AMOLED}	1.3"	360RGBx360	P6
G4.5 ^{AMOLED}	1.3" 窄边	360RGBx360	P7
G4.5 ^{AMOLED}	1.39" hole	454RGBx454	P8
G4.5 ^{AMOLED}	1.39"	454RGBx454	P9

TFT Line	AA Size	Resolution	Drawing Location
G2.5	1.22"	240RGBx204	P10
G2.5	1.26" ^{ULP}	240RGBx240	P11
G2.5	1.28" ^{ULP}	176RGBx176	P12
G4.5	1.3"	240RGBx240	P13
G2.5	1.38"	220RGBx220	P14
G4.5	1.45"	128RGBx128	P15
G4.5	1.45"	240RGBx320	P16
G2.5	1.68"	240RGBx320	P17
G4.5	1.77"	128RGBx160	P18
G2.5	2.0"	240RGBx320	P19
G2.5	2.2" ^{TF-E1}	240RGBx320	P20

TFT Line	AA Size	Resolution	Drawing Location
G2.5	2.28"	240RGBx240	P21
G2.5	2.3"	320RGBx320	P22
G4.5	2.41"	240RGBx320	P23
G2.5	2.51"	240RGBx320	P24
G2.5	2.6"	240RGBx400	P25
G4.5	2.66"	240x320RGB	P26
G2.5	2.81"	240RGBx400	P27
G2.5	2.83"	240RGBx320	P28
G5	2.83"	240RGBx320	P29
G4.5	2.83"	240RGBx320	P30
G2.5	3.2"	320RGBx480	P31
G4.5	3.47"	320RGBx480	P32
G2.5	3.5" ^{Automotive}	240RGBx320	P33
G4.5	3.5" ^{Automotive}	240x320 MONO	P34
G4.5	3.5" ^{Automotive}	320RGBx240	P35
G2.5	3.5"	480RGBx640	P36
G4.5	3.55" ^{Automotive}	240RGBx400	P37
G5	3.97"	480RGBx800	P38
G4.5	4.2" ^{Automotive}	480x272RGB	P39



Product Summary

TFT Line	AA Size	Resolution	Drawing Location	TFT Line	AA Size	Resolution	Drawing Location
G5	4.3"	480RGBX272	P40	G5	6.99" Automotive	1280RGBx800	P58
G4.5	4.3"	480RGBx272	P41	G5.0	7.0" Automotive	800RGBx480	P59
G4.5	4.96"	800RGBx480	P42	G4.5	7.0" Automotive	1280RGBx768	P60
G4.5	4.96" Automotive	800RGBx480	P43	G5	7.0"	800RGBx1280	P61
G5	4.99"	720RGBx1280	P44	G5	7.97" Automotive	800RGBx480	P62
G4.5	4.99"	720RGBx1280	P45	G5	7.98" Automotive	1280RGBx720	P63
G5	5.34"	480RGBx960	P46	G5	8.0"	800RGBx1280	P64
G5	5.45"	480RGBx960	P47	G5.0	8.4" Automotive	1024RGBx768	P65
G5	5.45"	720RGBx1440	P48	G5.0	8.98" Automotive	1280RGBx720	P66
G5	5.45" ONCELL	720RGBx1440	P49	G5	10.07"	1280RGBx800	P67
G5	5.7"	720RGBx1440	P50	G5	10.1"	1024RGBx600	P68
G5	5.71" INCELL	720RGBx1520	P51	G5.0	10.1" Automotive	1280RGBx720	P69
G5	5.86" INCELL	720RGBx1520	P52	G5	10.1"	1200RGBx1920	P70
G5	5.99" INCELL	720RGBx1440	P53	G5	10.24" Automotive	1920RGBx720	P71
G5	6.217" 大notch	720RGBx1520	P54	G5	10.39" Automotive	960RGBx1280	P72
G5	6.217" 小notch	720RGBx1520	P55	G2.5	11.0"	1280RGBx120	P73
G5	6.93"	800RGBx480	P56	G5	12.12"	1280RGBx800	P74
G4.5	6.93"	800RGBx480	P57				



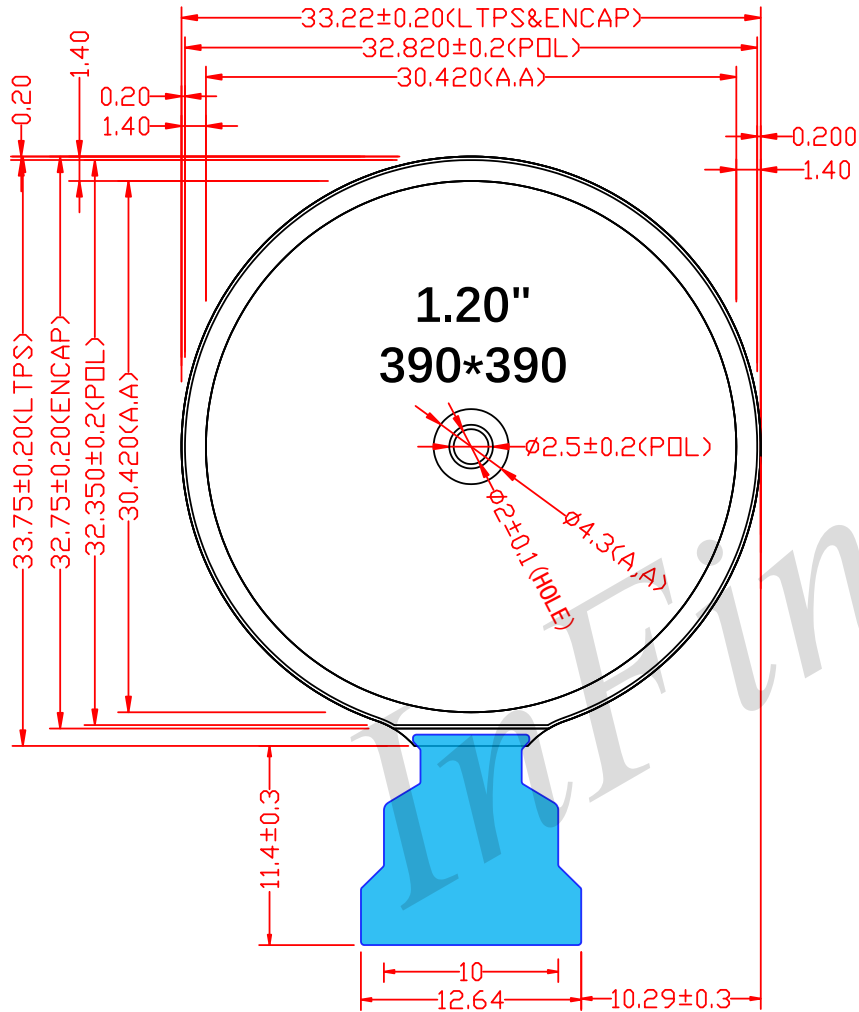
Product Summary

LCD Line	AA Size	Resolution	Drawing Location
G5	12.3" Automotive	1920RGBx720	P75
G5	15.6" Automotive	1920RGBx1080	P76

PMOLED	AA Size	Resolution	Drawing Location
OLED	0.42"	72x40	P77
OLED	0.48"	72x32	P78
OLED	0.5"	48x88 White	P79
OLED	0.66"	64x48	P80
OLED	0.78"	128x80	P81
OLED	0.84"	96x18	P82
OLED	0.89"	72x128	P83
OLED	0.91"	128x32	P84
OLED	0.91"	128x32	P85
OLED	0.91"	96x16+96x48 (Blue+White)	P86
OLED	0.95"	96x64 White	P87

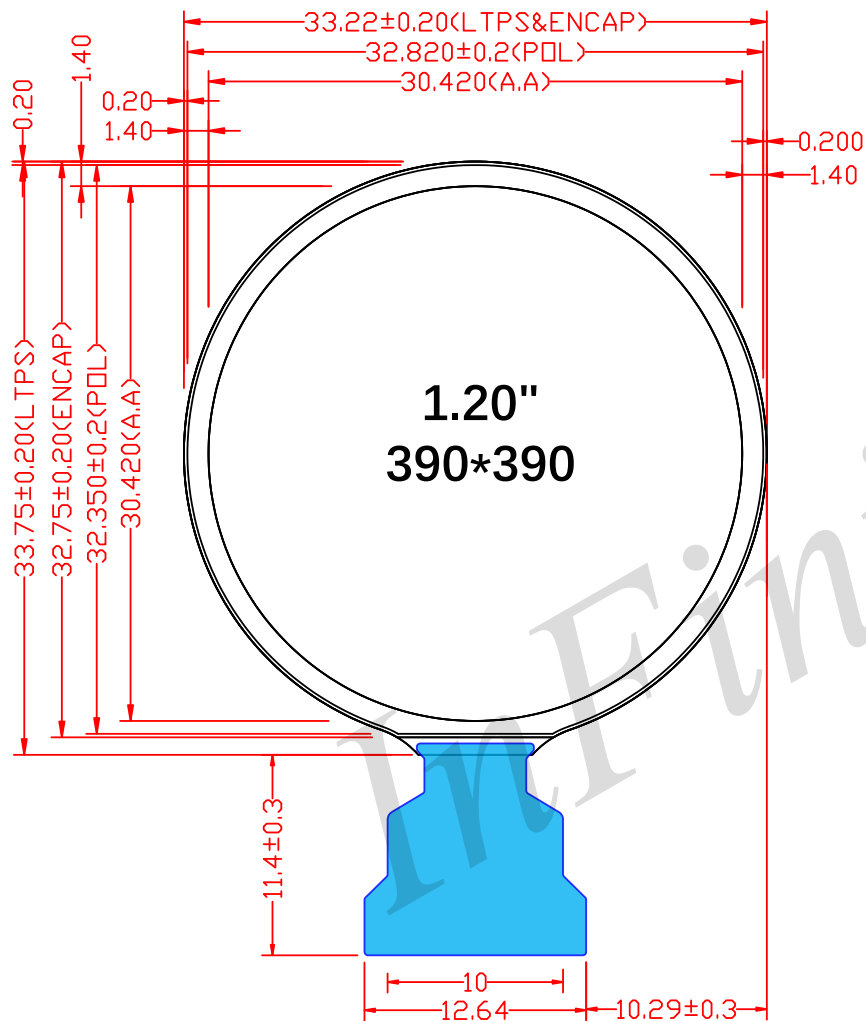
PMOLED	AA Size	Resolution	Drawing Location
OLED	0.96"	128x64 Blue	P88
OLED	0.96"	128x64 White	P89
OLED	0.96"	128x16+128x48 (Yellow+Blue)	P90
OLED	0.96"	64x128	P91
OLED	1.1"	196x96	P92
OLED	1.1"	96x96	P93
OLED	1.1"	96RGBx96	P94
OLED	1.12"	128x128	P95
OLED	1.13"	128x128	P96
OLED	1.3"	128x64	P97
OLED	1.3"	64x128	P98
OLED	1.32"	128x96	P99
OLED	1.5"	128x128	P100
OLED	1.5"	160x160	P101
OLED	1.6"	32x160	P102
OLED	2.8"	64x256	P103

1.2" 390RGB*390 AMOLED (HOLE) Spec



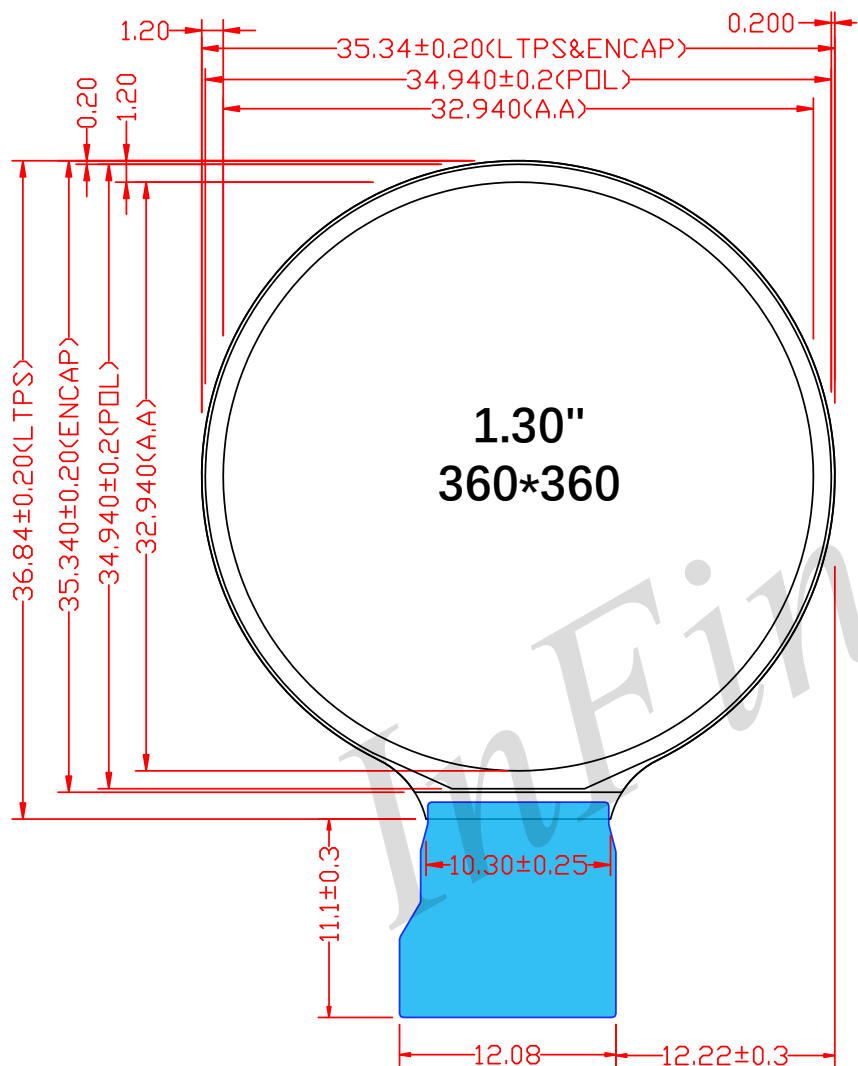
Description	Spec	Remark
DISPLAY Type	AMOLED	
Active Screen size(inch)	1.2"	
Resolution	390RGB*390	
Active Area(mm)	30.420*30.420	
Outline Dimension(mm)	33.22*33.75	
Glass Border(mm)	1.40	
Panel Thickness(mm)	0.2+0.2	
Hole(mm)	2.0/4.3	
Driver IC	RM69330	
Contrast ratio	100000	
NTSC	100%	
View angle	4JNCD	
Lifetime(hour)	600	T95
Power(mw)	6	Idle mode
HBM(nits)	>1000	

1.2" 390RGB*390 AMOLED Spec



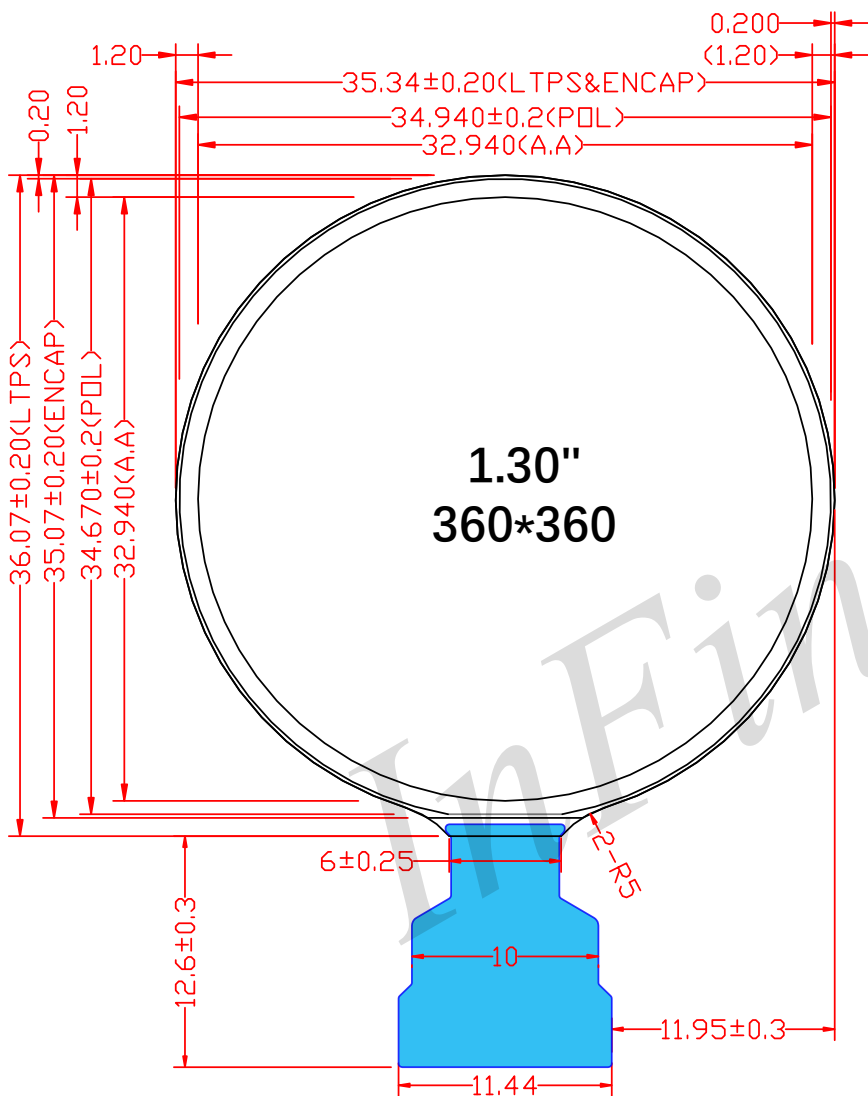
Description	Spec	Remark
DISPLAY Type	AMOLED	
Active Screen size(inch)	1.2"	
Resolution	390RGB*390	
Active Area(mm)	30.420*30.420	
Outline Dimension(mm)	33.22*33.75	
Glass Border(mm)	1.40	
Panel Thickness(mm)	0.2+0.2	
Driver IC	RM69330	
Contrast ratio	100000	
NTSC	100%	
View angle	4JNCD	
Lifetime(hour)	600	T95
Power(mw)	6	Idle mode
HBM(nits)	>1000	

1.3" 宽边 360RGB*360 AMOLED Spec



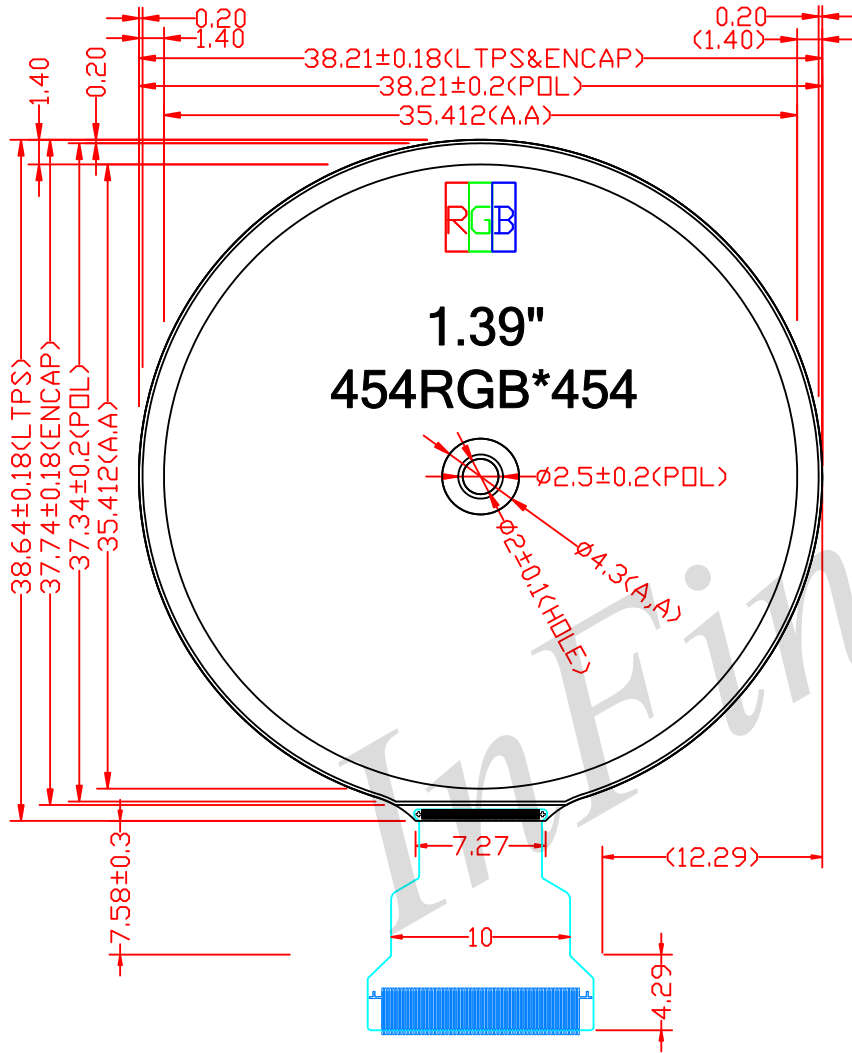
Description	Spec	Remark
DISPLAY Type	AMOLED	
Active Screen size(inch)	1.30"	
Resolution	360RGB*360	
Active Area(mm)	32.94*32.94	
Outline Dimension(mm)	35.34*36.84	
Glass Border(mm)	1.20	
Bottom(mm)	10.30	
Panel Thickness(mm)	0.2+0.2	
Driver IC	RM67162	
Contrast ratio	100000	
NTSC	100%	
View angle	4JNCD	
Lifetime(hour)	600	T95
Power(mw)	6	Idle
HBM(nits)	>1000	

1.3" 窄边 360RGB*360 AMOLED Spec



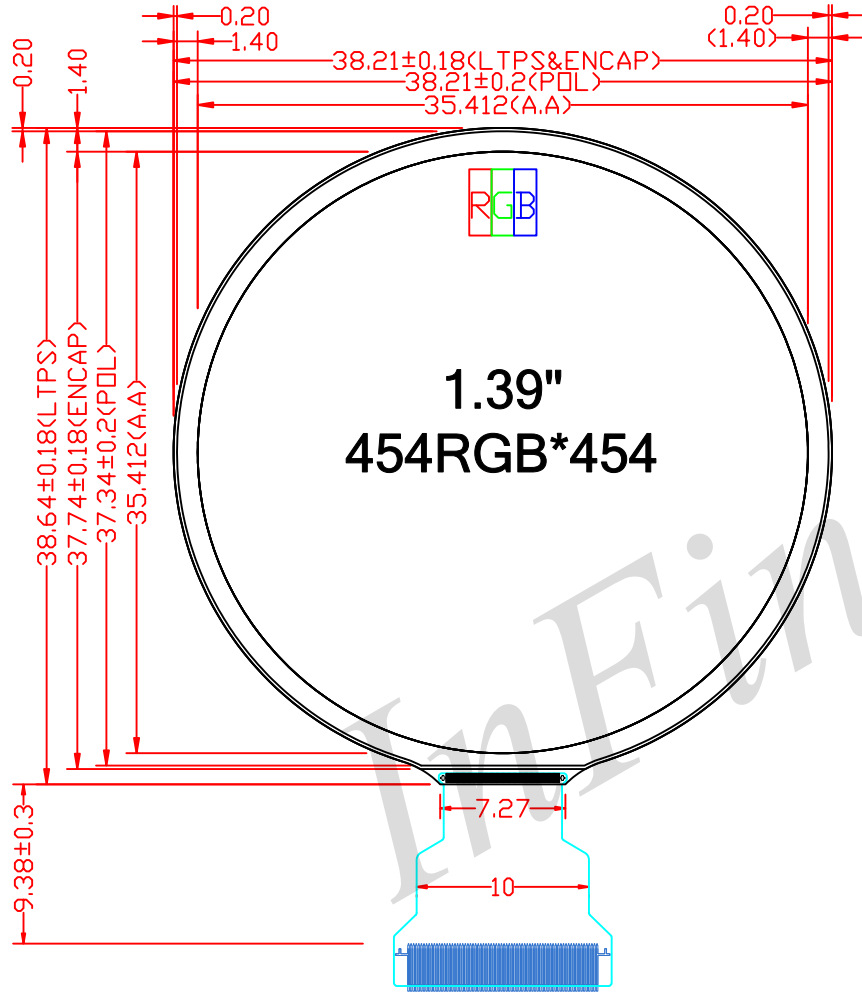
Description	Spec	Remark
DISPLAY Type	AMOLED	
Active Screen size(inch)	1.30"	
Resolution	360RGB*360	
Active Area(mm)	32.94*32.94	
Outline Dimension(mm)	35.34*36.84	
Glass Border(mm)	1.20	
Bottom(mm)	6.00	
Panel Thickness(mm)	0.2+0.2	
Driver IC	RM67162	
Contrast ratio	100000	
NTSC	100%	
View angle	4JNCD	
Lifetime(hour)	600	T95
Power(mw)	6	Idle mode
HBM(nits)	>1000	

1.39" 454RGB*454 AMOLED (HOLE) Spec



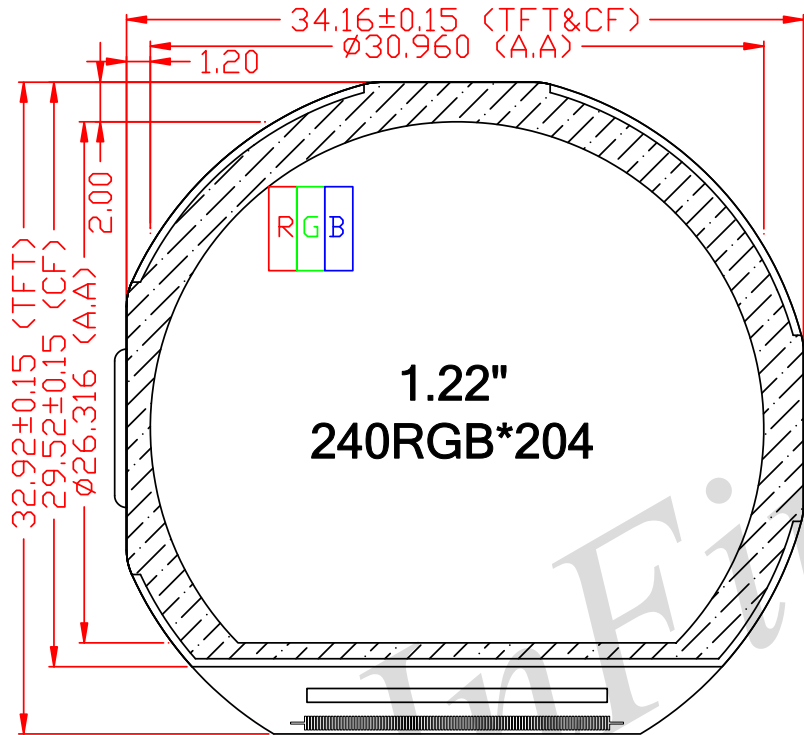
Description	Spec	Remark
DISPLAY Type	AMOLED	
Active Screen size(inch)	1.39"	
Resolution	454RGB*454	
Active Area(mm)	35.412*35.412	
Outline Dimension(mm)	38.21*38.64	
Glass Border(mm)	1.40	
Hole(mm)	2.5/4.3	
Panel Thickness(mm)	0.2+0.2	
Driver IC	RM69330	
Contrast ratio	100000	
NTSC	100%	
View angle	4JNCD	
Lifetime(hour)	600	T95
Power(mw)	6	Idle mode
HBM(nits)	>1000	

1.39" 454RGB*454 AMOLED Spec



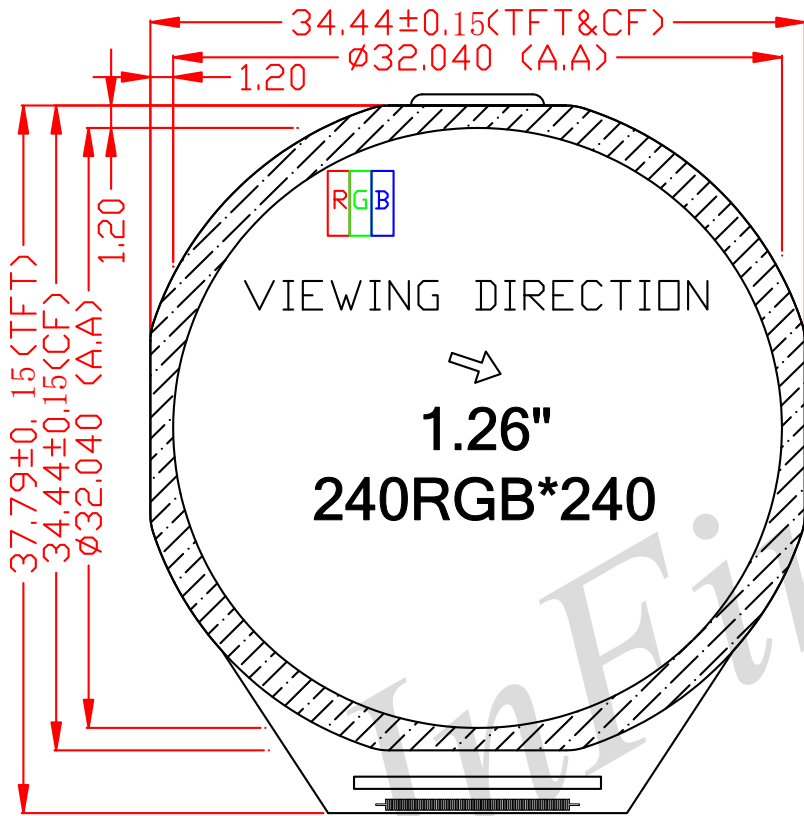
Description	Spec	Remark
DISPLAY Type	AMOLED	
Active Screen size(inch)	1.39"	
Resolution	454RGB*454	
Active Area(mm)	35.412*35.412	
Outline Dimension(mm)	38.21*38.64	
Glass Border(mm)	1.40	
Panel Thickness(mm)	0.2+0.2	
Driver IC	RM69330	
Contrast ratio	100000	
NTSC	100%	
View angle	4JNCD	
Lifetime(hour)	600	T95
Power(mw)	6	Idle mode
HBM(nits)	>1000	

1.22" 240RGB*204 Spec



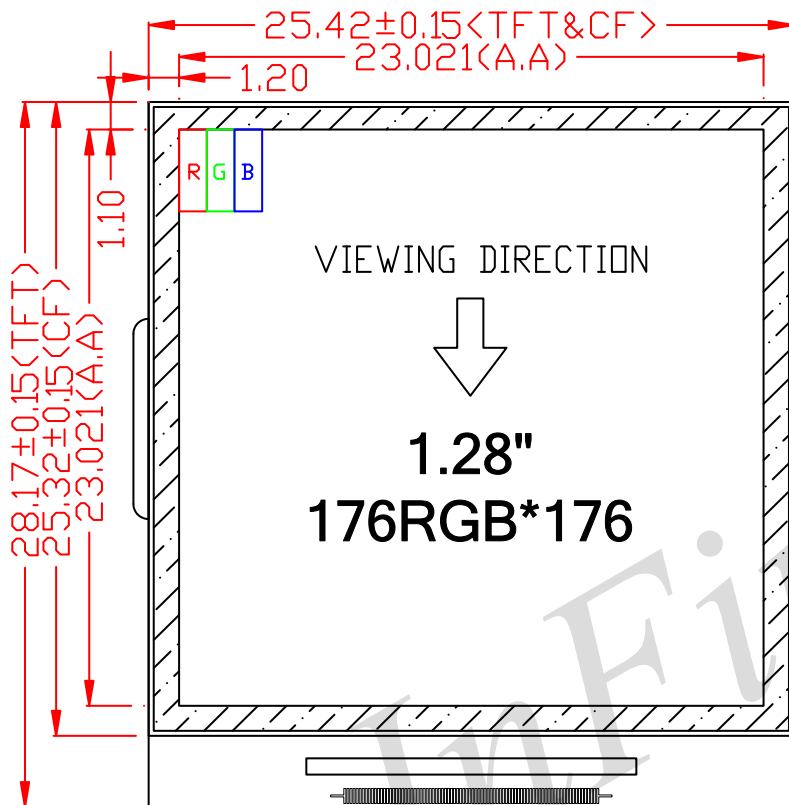
Description	Spec	Remark
LCD Type	α -Si TFT	
Active Screen size(inch)	1.22 " diagonal	inch
Resolution	240RGBx204	pixels
Active Area(mm)	30.960(W) x 26.316(H)	mm
Outline Dimension(mm)	34.16(W) x32.92(H)	mm
Glass Border(mm)	2.0/4.6/1.2/2.0	U/D/L/R
Panel Thickness	1.0mm	
Display Mode		
Viewing Direction	Free View	O'Clock
Contrast Ratio	800	
NTSC	71%	
Transmittance	3.4%	
Display Color	262K	
IF	SPI+MCU	
Driver IC	ST7789H2	

1.26" 240RGB*240 ULP Spec



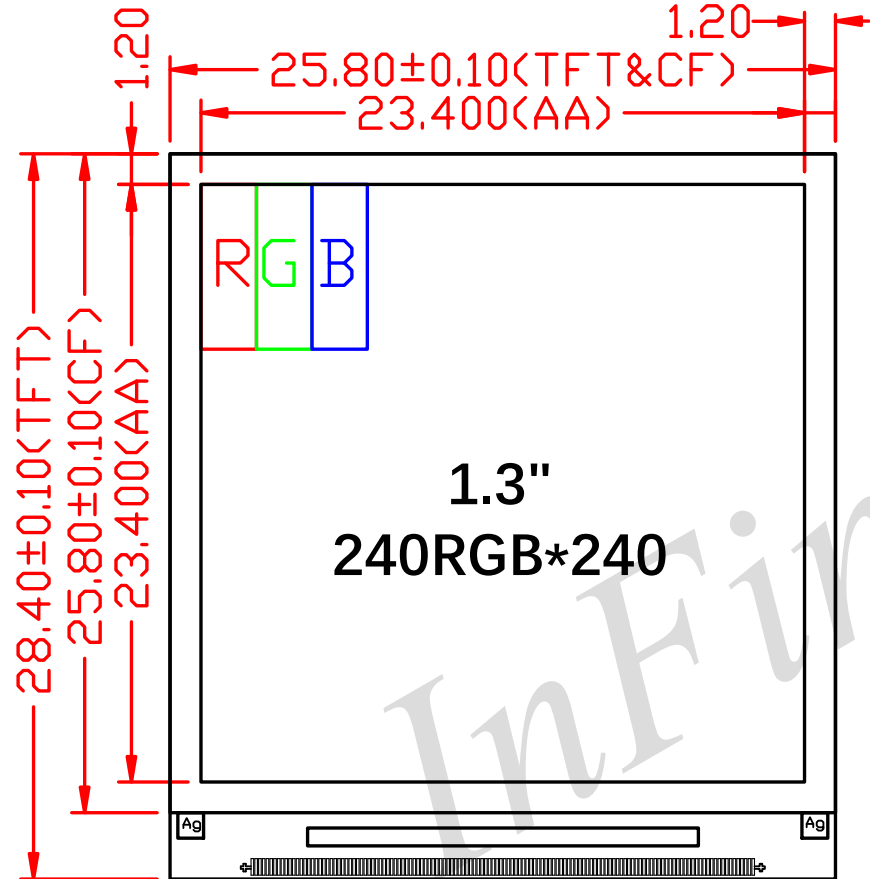
Description	Spec	Remark
LCD Type	α -Si TFT	
Active Screen size(inch)	1.26" diagonal	inch
Resolution	240(H) x(RGB) x240(V)	pixels
Active Area(mm)	32.040(W) x32.040H)	mm
Outline Dimension(mm)	34.44(W) x37.79(H)	mm
Glass Border(mm)	1.2/4.55/1.2/1.2	U/D/L/R
Panel Thickness	1.0mm	
Display Mode	TRANSFLECTIVE(TF-ENB)	
Viewing Direction	10:00	O'Clock
Contrast Ratio	30	
NTSC	24%	
Transmittance	0.3%	
Display Color	64	
IF	SPI+MCU	
Driver IC	ST7301	

1.28" 176RGB*176 ULP Spec



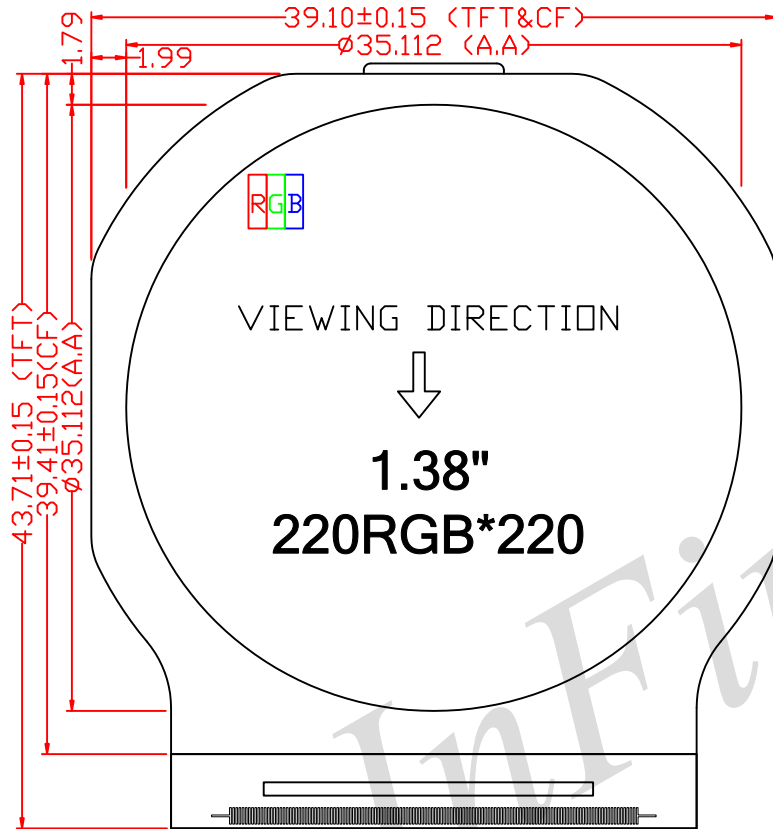
Description	Spec	Remark
LCD Type	α -Si TFT	
Active Screen size(inch)	1.28" diagonal	inch
Resolution	176(H) x(RGB) x176(V)	pixels
Active Area(mm)	23.021(W) x 23.021(H)	mm
Outline Dimension(mm)	25.42(W) x28.17(H)	mm
Glass Border(mm)	1.1/4.05/1.2/1.2	U/D/L/R
Panel Thickness	1.0mm	
Display Mode	TRANSFLECTIVE(TF-ENB)	
Viewing Direction	12:00	O'Clock
Contrast Ratio	40	
NTSC	13%	
Transmittance	0.25%	
Display Color	64	
IF	SPI+MCU	
Driver IC	ST7301	

1.3" 240RGB*240 Spec



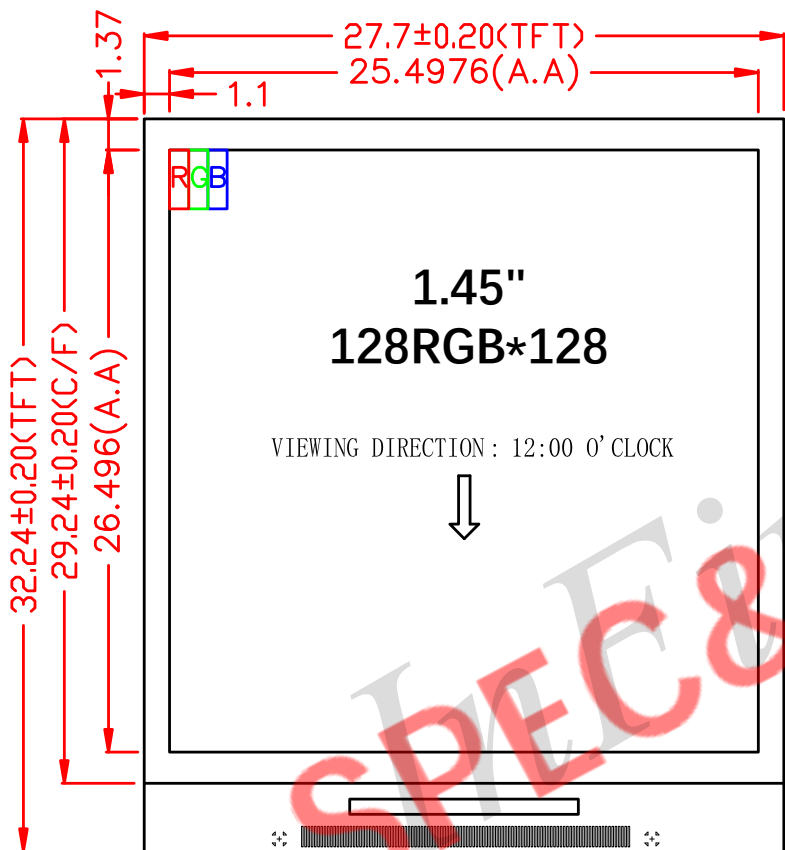
Description	Spec	Remark
LCD Type	α-Si TFT	
Active Screen size(inch)	1.3"	
Resolution	240(H)x(RGB)x240(V)	
Active Area(mm)	23.4(W)x23.4(H)	
Outline Dimension(mm)	25.8(W)x28.4(H)	
Glass Border(mm)	1.2/3.8/1.2/1.2	U/D/L/R
Panel Thickness	0.36mm Typ.	
Display Mode	Transmissive, Normally Black	
Viewing Direction(Gray Level Inversion Direction)	Free View	O'Clock
Contrast Ratio	800	
NTSC	50%	
Transmittance	3.7%	
Display Color	262K	
IF	SPI/MCU	
Driver IC	ST7789/ILI9340	

1.38" 220RGB*220 Spec



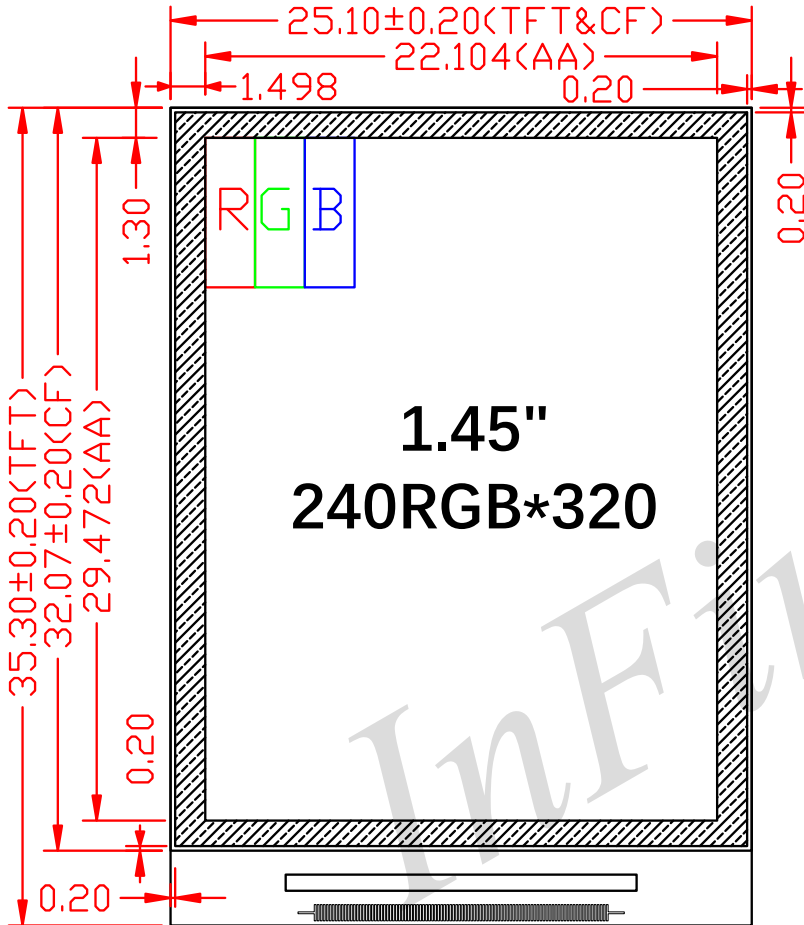
Description	Spec	Remark
LCD Type	α -Si TFT	
Active Screen size(inch)	1.38" diagonal	inch
Resolution	220(H) x(RGB) x220 (V)	pixels
Active Area(mm)	35.112(W) x 35.112(H)	mm
Outline Dimension(mm)	39.1(W) x43.71(H)	mm
Glass Border(mm)	1.79/6.8/1.99/1.99	U/D/L/R
Panel Thickness	1.0mm	
Display Mode	TN	
Viewing Direction	12:00	O'Clock
Contrast Ratio	300	
NTSC	60%	
Transmittance	4.7%	
Display Color	262K	
IF	MCU+SPI	
Driver IC	R61505V/R61505W	

1.45" 128RGB*128 Spec



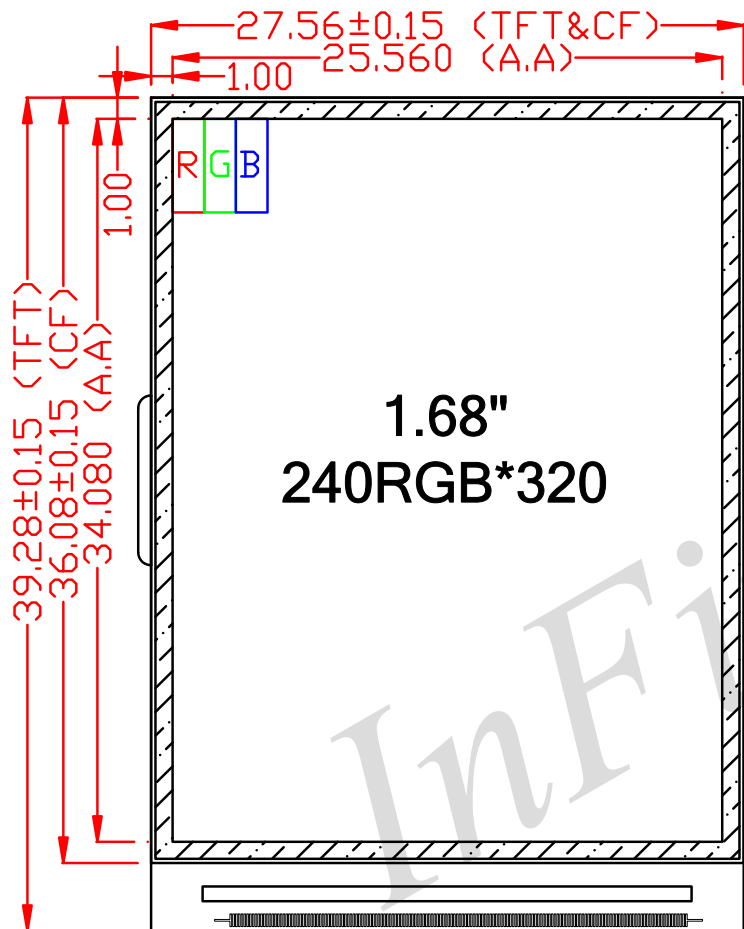
Description	Spec	Remark
LCD Type	α -Si TFT	
Active Screen size(inch)	1.45"	
Resolution	128(H)x(RGB)x128(V)	
Active Area(mm)	25.4976(W)x26.496(H)	
Outline Dimension(mm)	27.7(W)x32.24(H)	
Glass Border(mm)	1.37/4.37/1.1/1.1	U/D/L/R
Panel Thickness	1.0mm Typ.	
Display Mode	Transmissive, Normally White	
Viewing Direction(Gray Level Inversion Direction)	12:00	O'Clock
Contrast Ratio	600	
NTSC	53%	
Transmittance	6.3%	
Display Color	262K	
IF	MCU/SPI	
Driver IC	ST7735S	

1.45" 240RGB*320 Spec



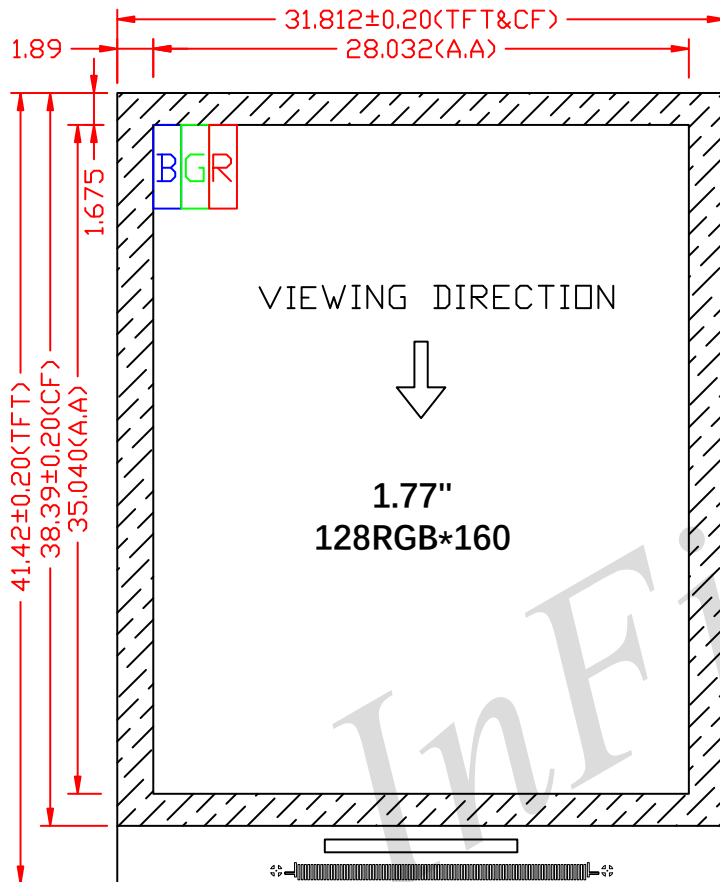
Description	Spec	Remark
LCD Type	α-Si TFT	
Active Screen size(inch)	1.45" Diagonal	
Resolution	240(H)x(RGB)x320*(V)	
Active Area(mm)	22.104(W)x29.472(H)	
Outline Dimension(mm)	25.10(W)x35.30(H)	
Glass Border(mm)	1.3/4.528/1.498/1.498	U/D/L/R
Panel Thickness	0.4mm	
Display Mode	Transmissive, Normally Black	
Viewing Direction	Free View	
Contrast Ratio	800	
NTSC	49%	
Transmittance	3.9%	
Display Color	262K	
IF	SPI/MCU	
Driver IC	ST7789/ILI9340	

1.68" 240RGB*320 Spec



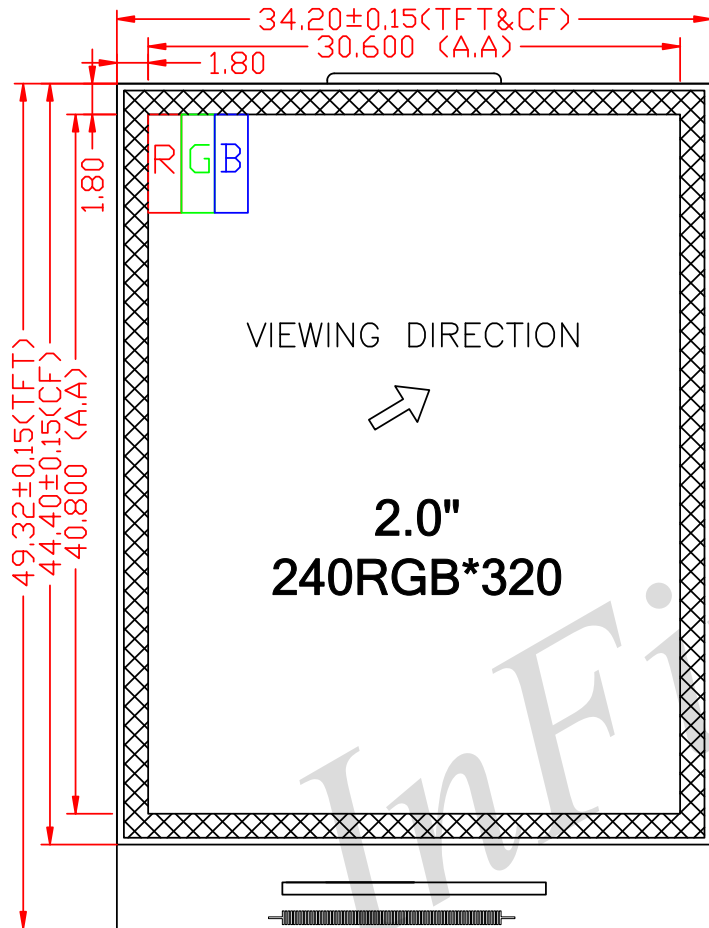
Description	Spec	Remark
LCD Type	α -Si TFT	
Active Screen size(inch)	1.68" diagonal	inch
Resolution	240(H) x(RGB) x320(V)	pixels
Active Area(mm)	25.560(W) x 34.080(H)	mm
Outline Dimension(mm)	27.56(W) x39.28(H)	mm
Glass Border(mm)	1.0/4.2/1.0/1.0	U/D/L/R
Panel Thickness	1.0mm	
Display Mode	TRANSFLECTIVE(TF-NB)	
Viewing Direction	Free View	O'Clock
Contrast Ratio	400	
NTSC	68%	
Transmittance	1.9%	
Display Color	262K	
IF	MCU+SPI+MIPI	
Driver IC	ST7796H	

1.77" 128RGB*160 Spec



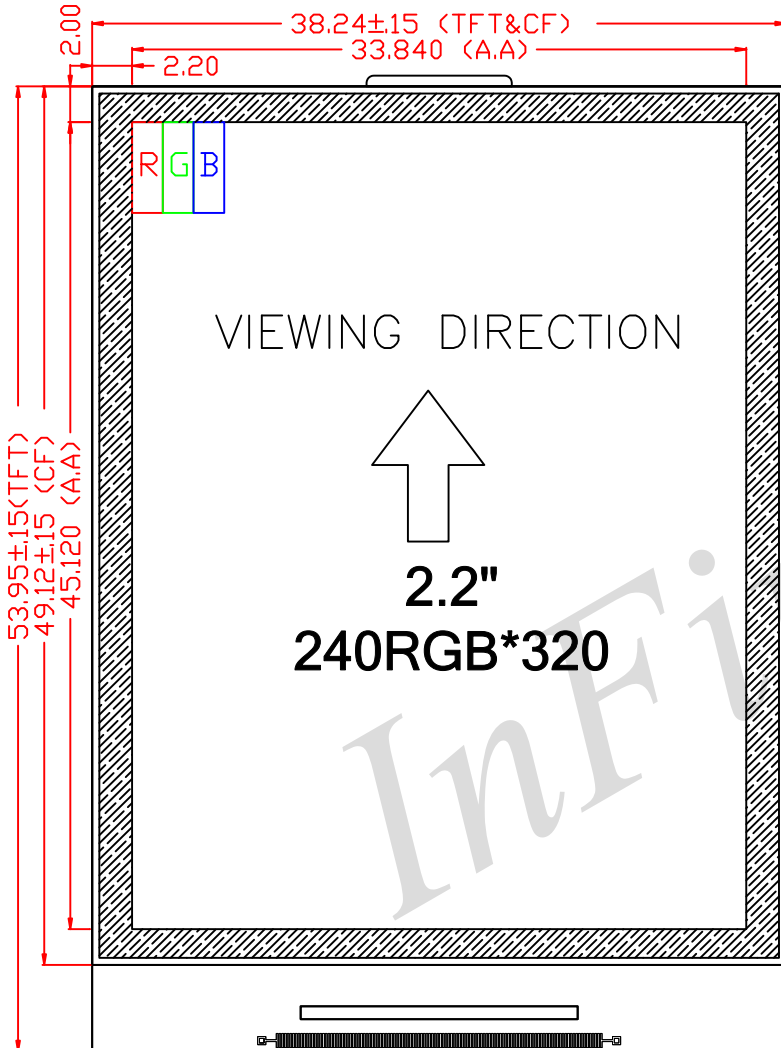
Description	Spec	Remark
LCD Type	α -Si TFT	
Active Screen size(inch)	1.77" Diagonal	
Resolution	128(H)x(RGB)x160 (V)	
Active Area(mm)	28.032(W)X35.04(H)	
Outline Dimension(mm)	31.812(W)X41.42(H)	
Glass Border(mm)	1.675/4.705/1.89/1.89	U/D/L/R
Panel Thickness	1.0mm	
Display Mode	Transmissive, Normally White	
Viewing Direction	12:00	
Contrast Ratio	1000	
NTSC	57%	
Transmittance	6.0%	
Display Color	262K	
IF	MCU/SPI	
Driver IC	ST7735S	

2.0" 240RGB*320 Spec



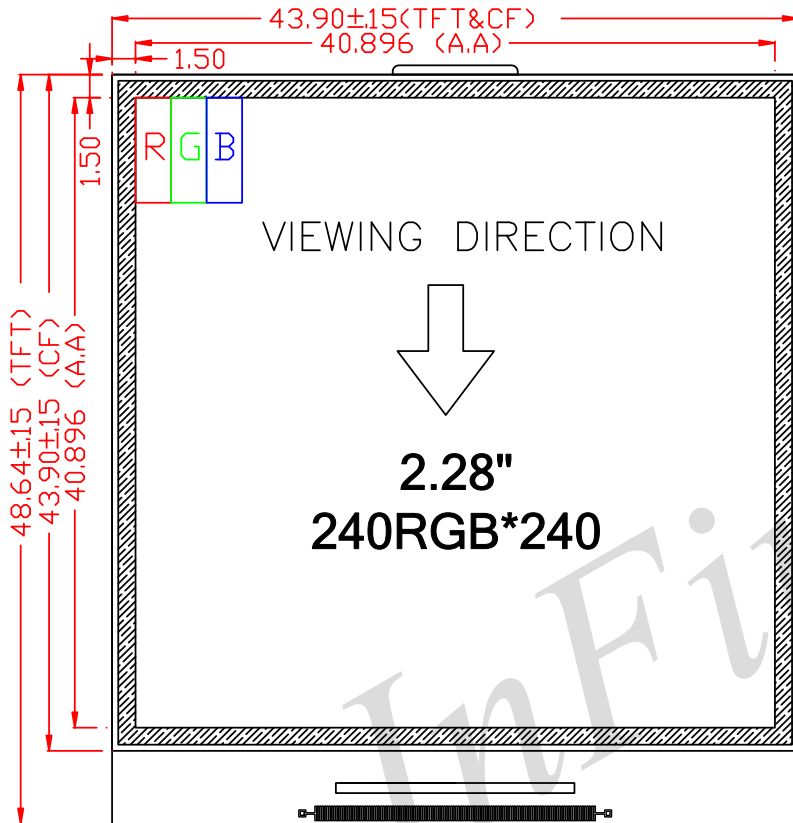
Description	Spec	Remark
LCD Type	α-Si TFT	
Active Screen size(inch)	2" diagonal	inch
Resolution	240(H) x(RGB) x320(V)	pixels
Active Area(mm)	30.600(W) x40.800(H)	mm
Outline Dimension(mm)	34.2(W) x49.32(H)	mm
Glass Border(mm)	1.8/6.7/1.8/1.8	U/D/L/R
Panel Thickness	1.0mm	
Display Mode	TRANSFLECTIVE (TF-E2)	
Viewing Direction	8:00	O'Clock
Contrast Ratio	130	
NTSC	40%	
Transmittance	0.98%	
Display Color	262K	
IF	MCU+SPI	
Driver IC	HX8347-D	

2.2" 240RGB*320 TF-E1 Spec



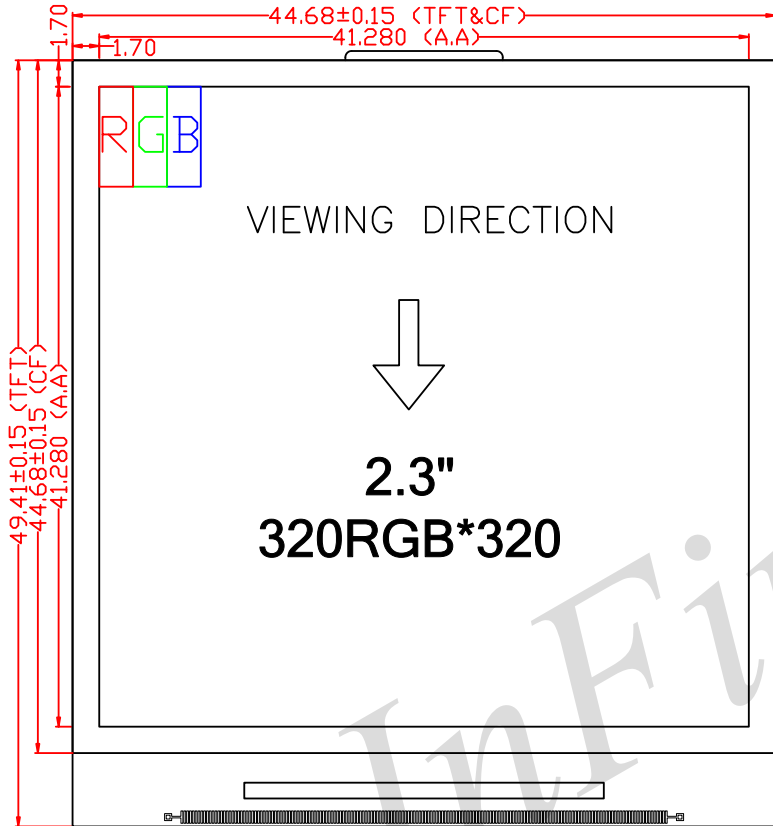
Description	Spec	Remark
LCD Type	α -Si TFT	
Active Screen size(inch)	2.2" diagonal	inch
Resolution	240(H) x(RGB) x320(V)	pixels
Active Area(mm)	33.840(W) x 45.120(H)	mm
Outline Dimension(mm)	38.24(W) x53.95(H)	mm
Glass Border(mm)	2.0/6.8/2.2/2.2	U/D/L/R
Panel Thickness	1.0mm	
Display Mode	TRANSFLECTIVE(TF-E1)	
Viewing Direction	6:00	O'Clock
Contrast Ratio	100	
NTSC	40%	
Transmittance	2.0%	
Display Color	262K	
IF	MCU+SPI	
Driver IC	ST7789V/HX8347G	

2.28" 240RGB*240 Spec



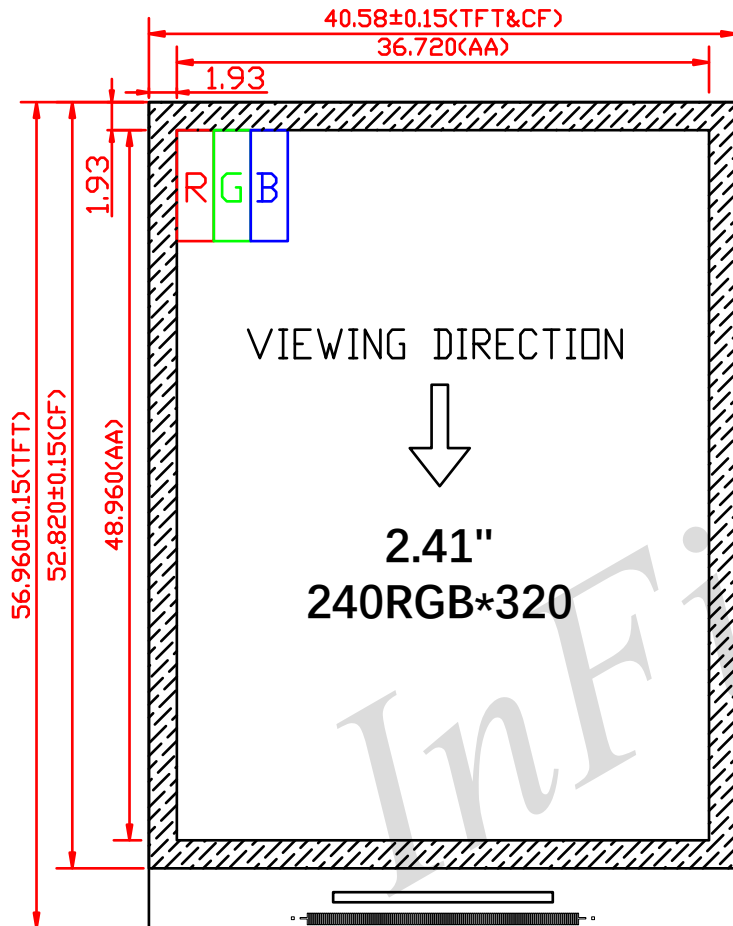
Description	Spec	Remark
LCD Type	α -Si TFT	
Active Screen size(inch)	2.28" diagonal	inch
Resolution	240(H) x(RGB) x240(V)	pixels
Active Area(mm)	40.896(W) x 40.896(H)	mm
Outline Dimension(mm)	43.90(W) x48.64(H)	mm
Glass Border(mm)	1.5/6.24/1.5/1.5	U/D/L/R
Panel Thickness	1.0mm	
Display Mode	TN	
Viewing Direction	12:00	O'Clock
Contrast Ratio	400	
NTSC	60%	
Transmittance	5.2%	
Display Color	262K	
IF	MCU+SPI	
Driver IC	ST7789V/HX8347G	

2.3" 320RGB*320 Spec



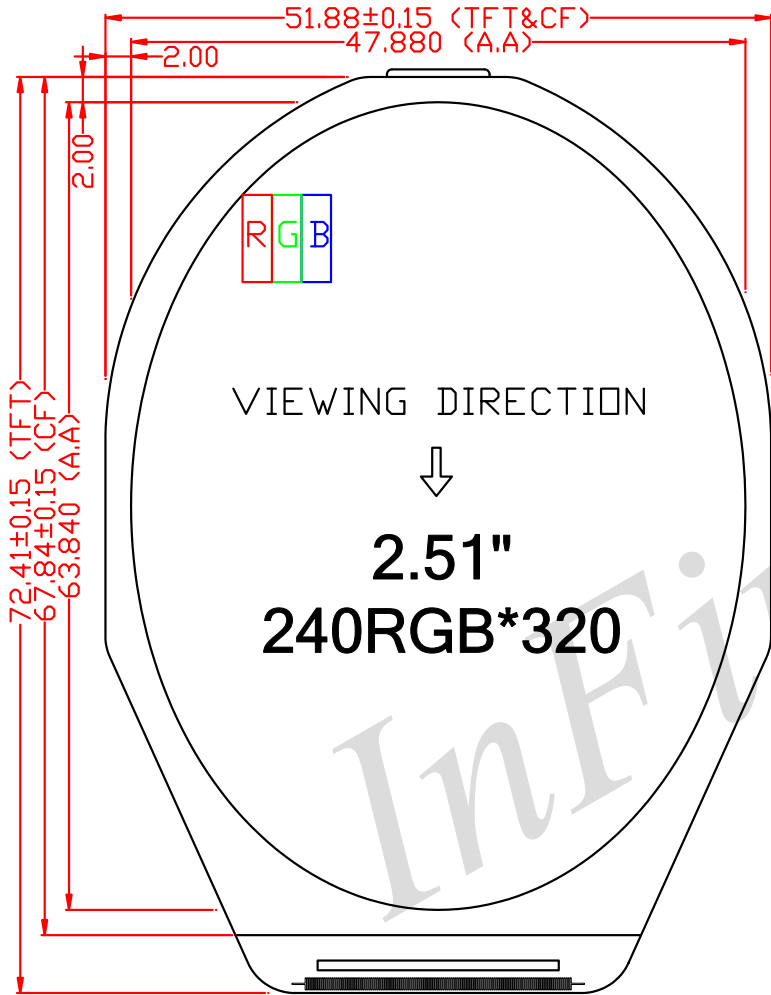
Description	Spec	Remark
LCD Type	α -Si TFT	
Active Screen size(inch)	2.3" diagonal	inch
Resolution	320(H) x(RGB) x320(V)	pixels
Active Area(mm)	41.280(W) x41.280(H)	mm
Outline Dimension(mm)	44.68(W) x49.41(H)	mm
Glass Border(mm)	1.7/6.43/1.7/1.7	U/D/L/R
Panel Thickness	1.0mm	
Display Mode	TN	
Viewing Direction	12:00	O'Clock
Contrast Ratio	300	
NTSC	58.3%	
Transmittance	4.2%	
Display Color	16M	
IF	MCU,RGB,MIPI	
Driver IC	ST7796/HX8357D	

2.41" 240RGB*320 Spec



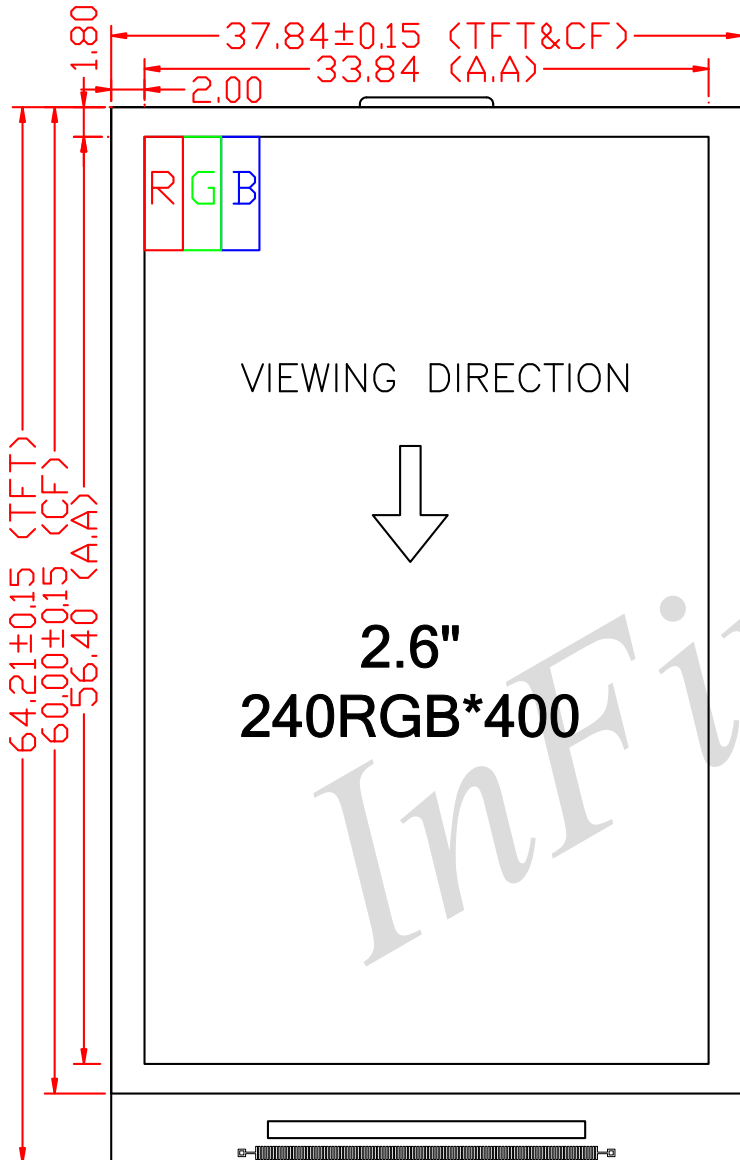
Description	Spec	Remark
LCD Type	α -Si TFT	
Active Screen size(inch)	2.41" Diagonal	
Resolution	240(H)x(RGB)x320(V)	
Active Area(mm)	36.72(W)x48.96(H)	
Outline Dimension(mm)	40.58(W)x56.96(H)	
Glass Border(mm)	1.93/6.07/1.93/1.93	U/D/L/R
Panel Thickness	0.8mm	
Display Mode	Transmissive, Normally White	
Viewing Direction	12:00	
Contrast Ratio	1000	
NTSC	55%	
Transmittance	4.5%	
Display Color	262K	
IF	MCU/SPI	
Driver IC	ST7789/ILI9340	

2.51" 240RGB*320 Spec



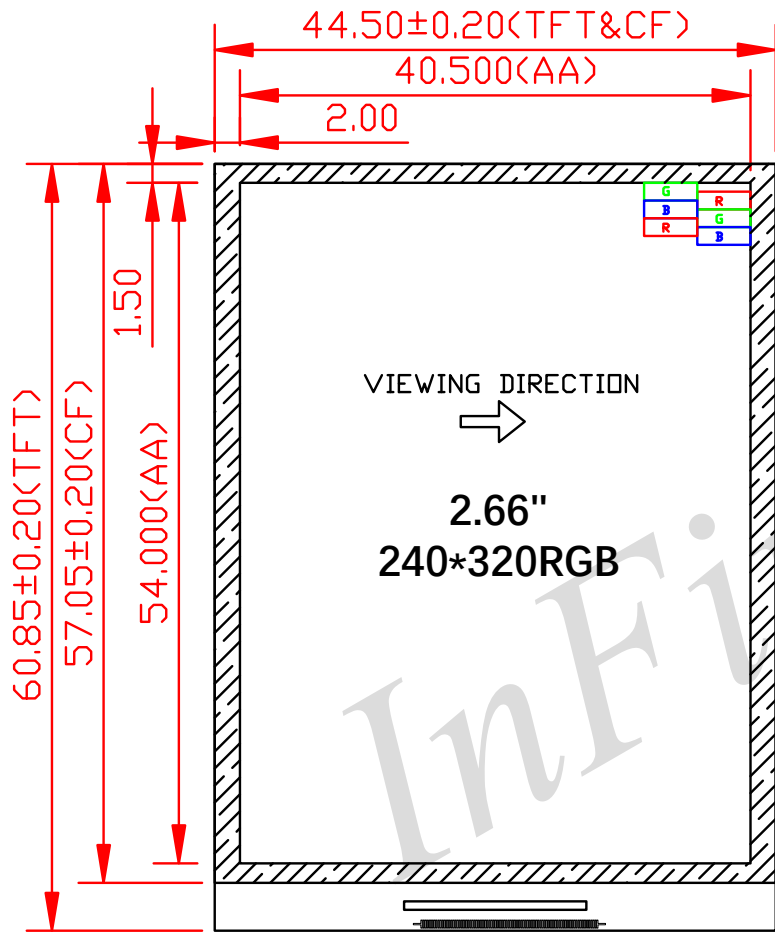
Description	Spec	Remark
LCD Type	α-Si TFT	
Active Screen size(inch)	2.51" diagonal	inch
Resolution	240(H) x(RGB) x320(V)	pixels
Active Area(mm)	47.880(W) x 63.840(H)	mm
Outline Dimension(mm)	51.88(W) x72.41(H)	mm
Glass Border(mm)	2.0/6.6/2.0/2.0	U/D/L/R
Panel Thickness	1.0mm	
Display Mode		
Viewing Direction	12:00	O'Clock
Contrast Ratio	300	
NTSC	62%	
Transmittance	5.0%	
Display Color	262K	
IF	MCU+SPI	
Driver IC	HX8367A	

2.6" 240RGB*400 Spec



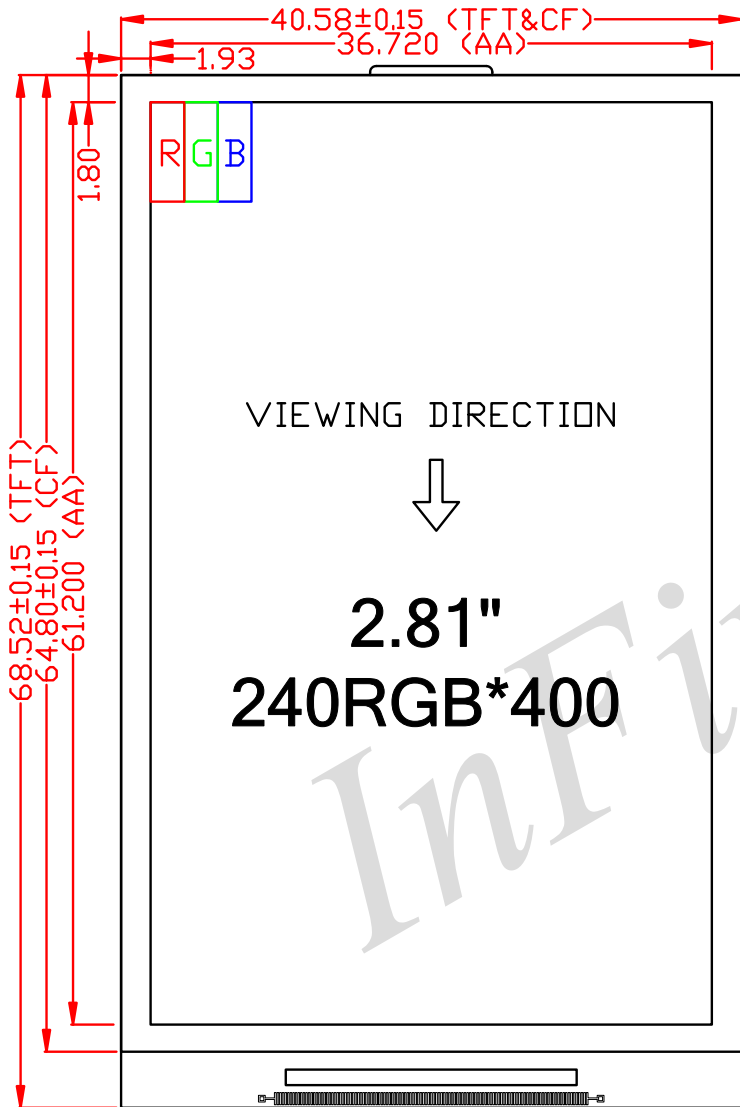
Description	Spec	Remark
LCD Type	α -Si TFT	
Active Screen size(inch)	2.6" diagonal	inch
Resolution	240(H) x(RGB) x400(V)	pixels
Active Area(mm)	33.840(W) x 56.400(H)	mm
Outline Dimension(mm)	37.84(W) x64.21(H)	mm
Glass Border(mm)	1.8/6.0/2.0/2.0	U/D/L/R
Panel Thickness	1.0mm	
Display Mode		
Viewing Direction	12:00	O'Clock
Contrast Ratio	300	
NTSC	62%	
Transmittance	4.8%	
Display Color	262K	
IF	SPI+MCU	
Driver IC	R61509V	

2.66" 240RGB*320 Spec



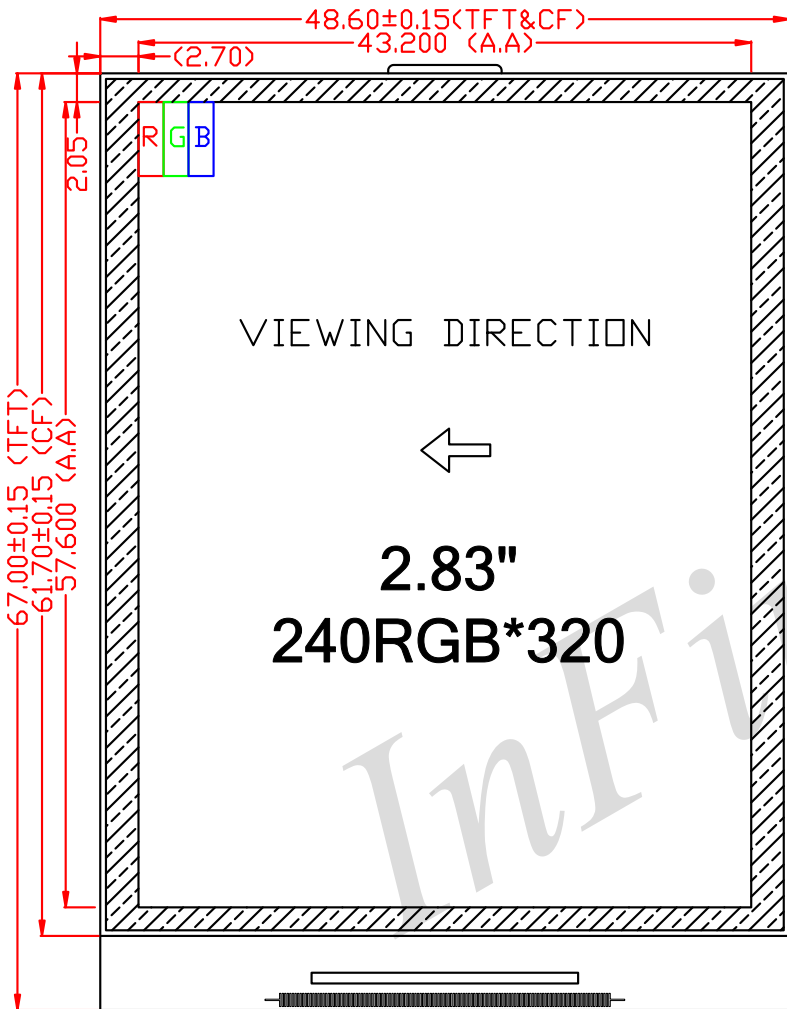
Description	Spec	Remark
LCD Type	α -Si TFT	
Active Screen size(inch)	2.66" Diagonal	
Resolution	240*(H) x320(V) x(RGB)	
Active Area(mm)	40.5(W)x54.0(H)	
Outline Dimension(mm)	44.5(W)x60.85(H)	
Glass Border(mm)	1.5/5.35/2.0/2.0	U/D/L/R
Panel Thickness	1.0mm	
Display Mode	Transmissive, Normally White	
Viewing Direction	9:00	
Contrast Ratio	1000	
NTSC	41%	
Transmittance	5.1%	
Display Color	262K	
IF	RGB	
Driver IC	ILI8961	

2.81" 240RGB*400 Spec



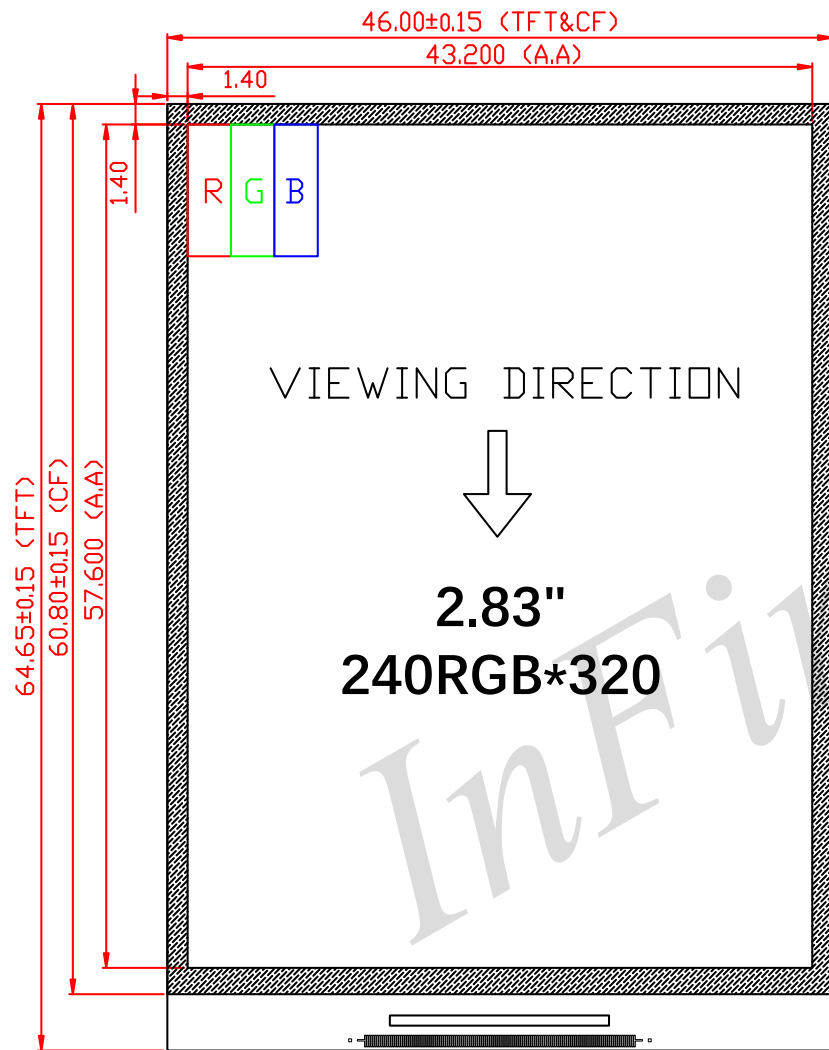
Description	Spec	Remark
LCD Type	α -Si TFT	
Active Screen size(inch)	2.81" diagonal	inch
Resolution	240(H) x(RGB) x400(V)	pixels
Active Area(mm)	36.720(W) x *61.200(H)	mm
Outline Dimension(mm)	40.58(W) x68.52(H)	mm
Glass Border(mm)	1.8/5.5/1.93/1.93	U/D/L/R
Panel Thickness	1.0mm	
Display Mode	TN	
Viewing Direction	12:00	O'Clock
Contrast Ratio	300	
NTSC	62%	
Transmittance	4.1%	
Display Color	262K	
IF	SPI+MCU	
Driver IC	R61509V	

2.83" 240RGB*320 Spec



Description	Spec	Remark
LCD Type	α -Si TFT	
Active Screen size(inch)	2.83" diagonal	inch
Resolution	240(H) x(RGB) x320(V)	pixels
Active Area(mm)	43.200(W) x 57.600(H)	mm
Outline Dimension(mm)	48.60(W) x67.00(H)	mm
Glass Border(mm)	2.05/7.35/2.7/2.7	U/D/L/R
Panel Thickness	1.0mm	
Display Mode	TRANSFLECTIVE	
Viewing Direction	3:00	O'Clock
Contrast Ratio	100	
NTSC	40%	
Transmittance	1.0%	
Display Color	262K	
IF	SPI+MCU	
Driver IC	HX8367A	

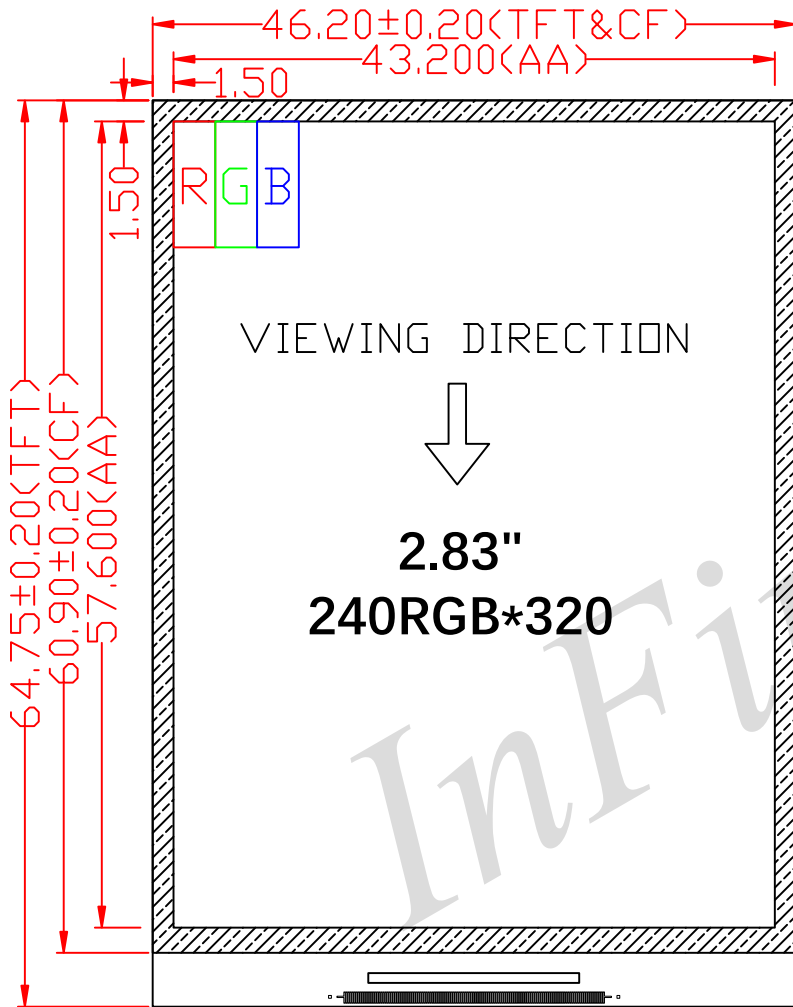
2.83" 240RGB*320 Spec



Description	Spec	Remark
LCD Type	α -Si TFT	
Active Screen size(inch)	2.83" diagonal	
Resolution	240(H)x(RGB)x320(V)	
Active Area(mm)	43.2(W)x57.6(H)	
Outline Dimension(mm)	46.0(W)x64.65(H)	
Glass Border(mm)	1.4/5.65/1.4/1.4	U/D/L/R
Panel Thickness	1.0mm	
Display Mode	Transmissive, Normally White	
Viewing Direction(Gray Level Inversion Direction)	12:00	O'Clock
Contrast Ratio	600	
NTSC	56.4%	
Transmittance	6.3%	
Display Color	262K	
IF	MCU/SPI	
Driver IC	ILI9340/ST7789	



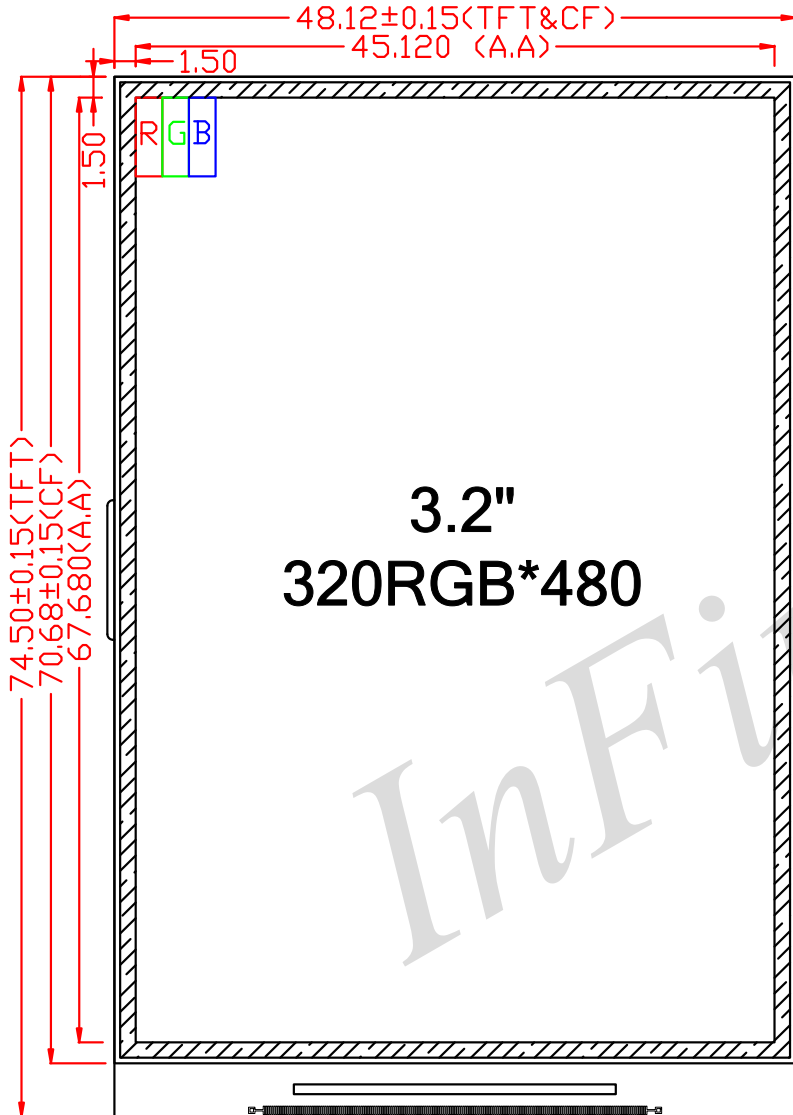
2.83" 240RGB*320 Spec



Description	Spec	Remark
LCD Type	α -Si TFT	
Active Screen size(inch)	2.83" diagonal	
Resolution	240(H)x(RGB)x320(V)	
Active Area(mm)	43.2(W)x57.6(H)	
Outline Dimension(mm)	46.2(W)x64.75(H)	
Glass Border(mm)	1.5/5.65/1.5/1.5	U/D/L/R
Panel Thickness	1.0mm	
Display Mode	Transmissive, Normally White	
Viewing Direction(Gray Level Inversion Direction)	12:00	O'Clock
Contrast Ratio	1000	
NTSC	57%	
Transmittance	5.8%	
Display Color	262K	
IF	MCU/SPI	
Driver IC	ST7789	

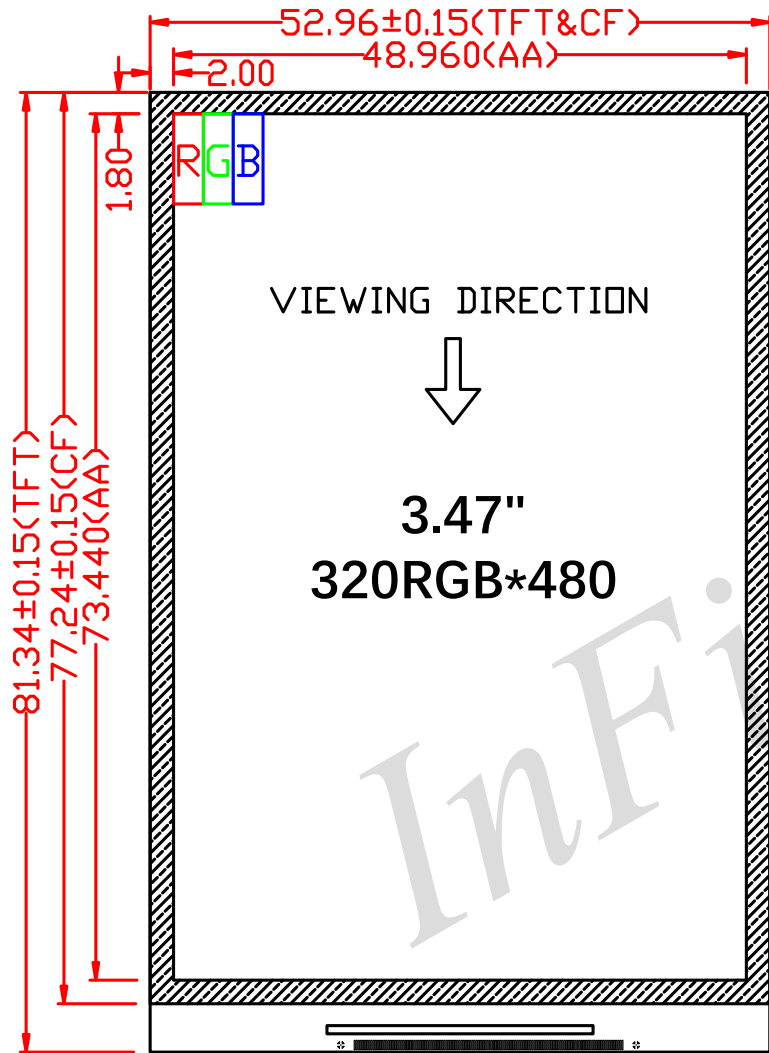


3.2" 320RGB*480 Spec



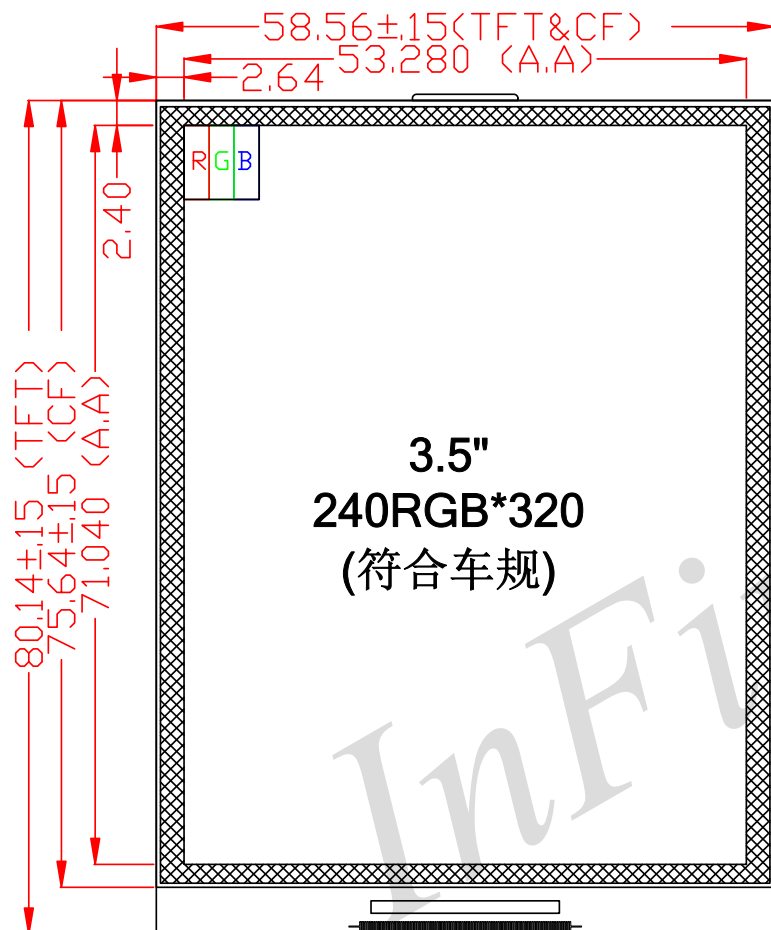
Description	Spec	Remark
LCD Type	α -Si TFT	
Active Screen size(inch)	3.2" diagonal	inch
Resolution	320(H) x(RGB) x480(V)	pixels
Active Area(mm)	45.120(W) x 67.680(H)	mm
Outline Dimension(mm)	48.12(W) x74.50(H)	mm
Glass Border(mm)	1.5/5.32/1.5/1.5	U/D/L/R
Panel Thickness	1.0mm	
Display Mode		
Viewing Direction	Free View	O'Clock
Contrast Ratio	800	
NTSC	73%	
Transmittance	4.2%	
Display Color	16.7M	
IF	MIPI,RGB,CPU	
Driver IC	ST7796	

3.47" 320RGB*480 Spec



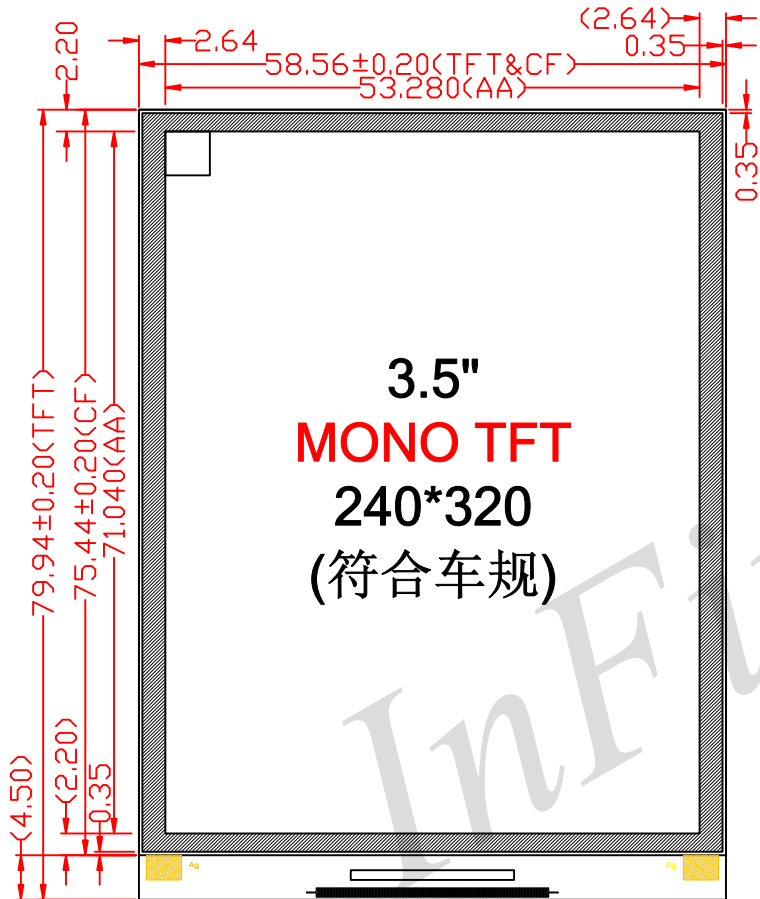
Description	Spec	Remark
LCD Type	α -Si TFT	
Active Screen size(inch)	3.47" Diagonal	
Resolution	320(H)x(RGB)x480(V)	
Active Area(mm)	48.96(W)x73.44(H)	
Outline Dimension(mm)	52.96(W)x81.34(H)	
Glass Border(mm)	1.8/6.1/2.0/2.0	U/D/L/R
Panel Thickness	0.5mm	
Display Mode	Transmissive, Normally White	
Viewing Direction	12:00	
Contrast Ratio	1000	
NTSC	56%	
Transmittance	4.7%	
Display Color	262K	
IF	RGB/SPI/MIPI	
Driver IC	ST7796S/ST7796H	

3.5" 240RGB*320 Spec(符合车载规格)



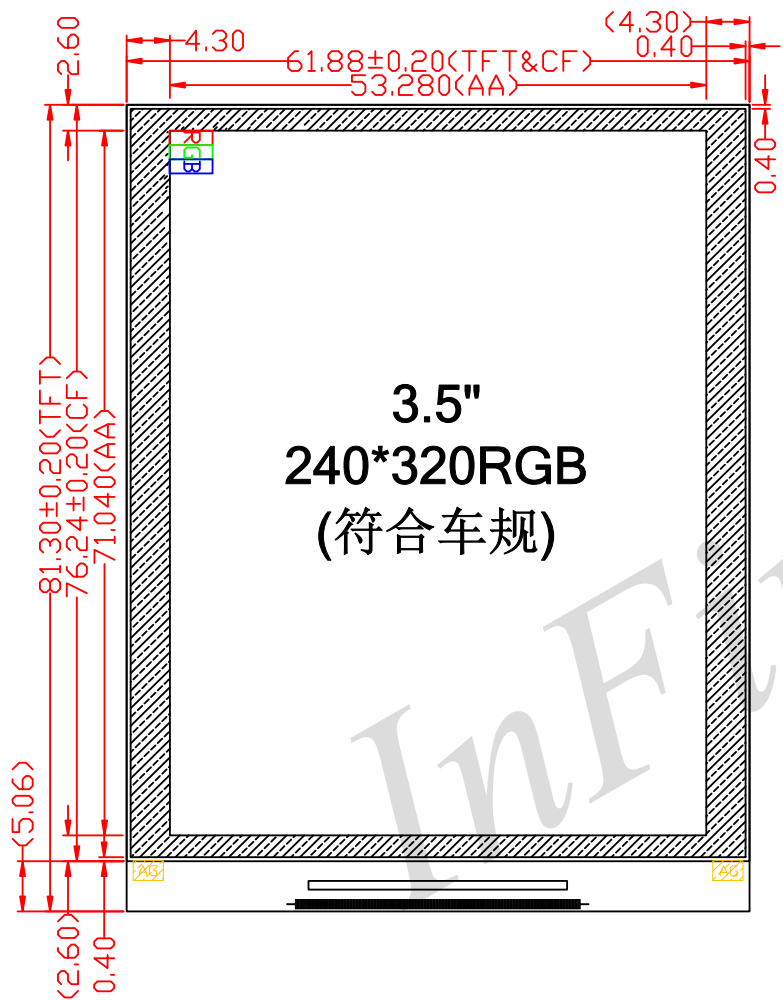
Description	Spec	Remark
LCD Type	α -Si TFT	
Active Screen size(inch)	3.5" diagonal	inch
Resolution	240(H) x320(V)	pixels
Active Area(mm)	53.280(W) x 71.040(H)	mm
Outline Dimension(mm)	58.56(W) x80.14(H)	mm
Glass Border(mm)	2.4/6.7/2.64/2.64	U/D/L/R
Panel Thickness	1.0mm	
Display Mode		
Viewing Direction	Free View	O'Clock
Contrast Ratio	800	
NTSC	/	
Transmittance	15%	
Display Color	MONO	
IF	MCU+SPI	
Driver IC	S2D19600	

3.5" 240*320 MONO TFT Spec(符合车规)



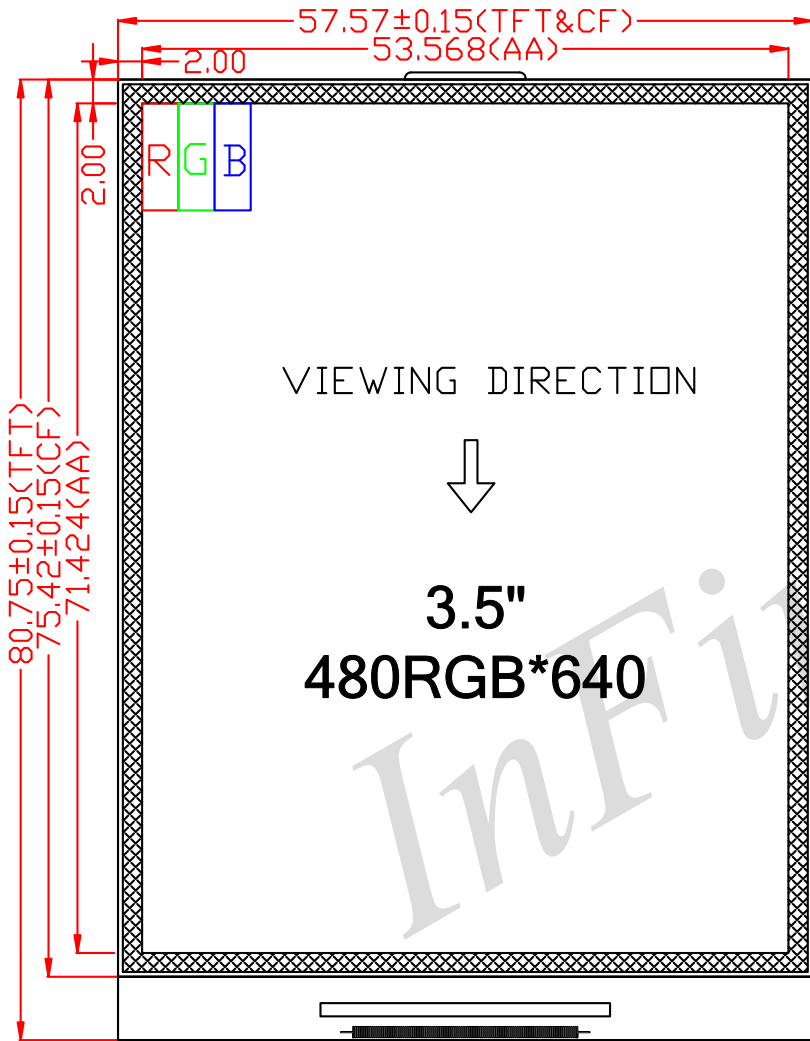
Description	Spec	Remark
LCD Type	α -Si TFT	
Active Screen size(inch)	3.5" diagonal	inch
Resolution	240(H) *320 (V)	pixels
Active Area(mm)	53.280 (W) *71.040(H)	mm
Outline Dimension(mm)	58.56 (W) *79.94(H) *1.0(T)	mm
Glass Border (mm)		U/D/L/R
Panel Thickness	1.0mm	
Display Mode	Transmissive, Normally Black	
Viewing Direction	Wide View Angle	O'Clock
Contrast Ratio	950	
NTSC	TBD	
Transmittance	17.3%	
Display Color		
IF		
Driver IC	S1D19604	
Sample		

3.5" 320RGB*240 Spec (符合车规)



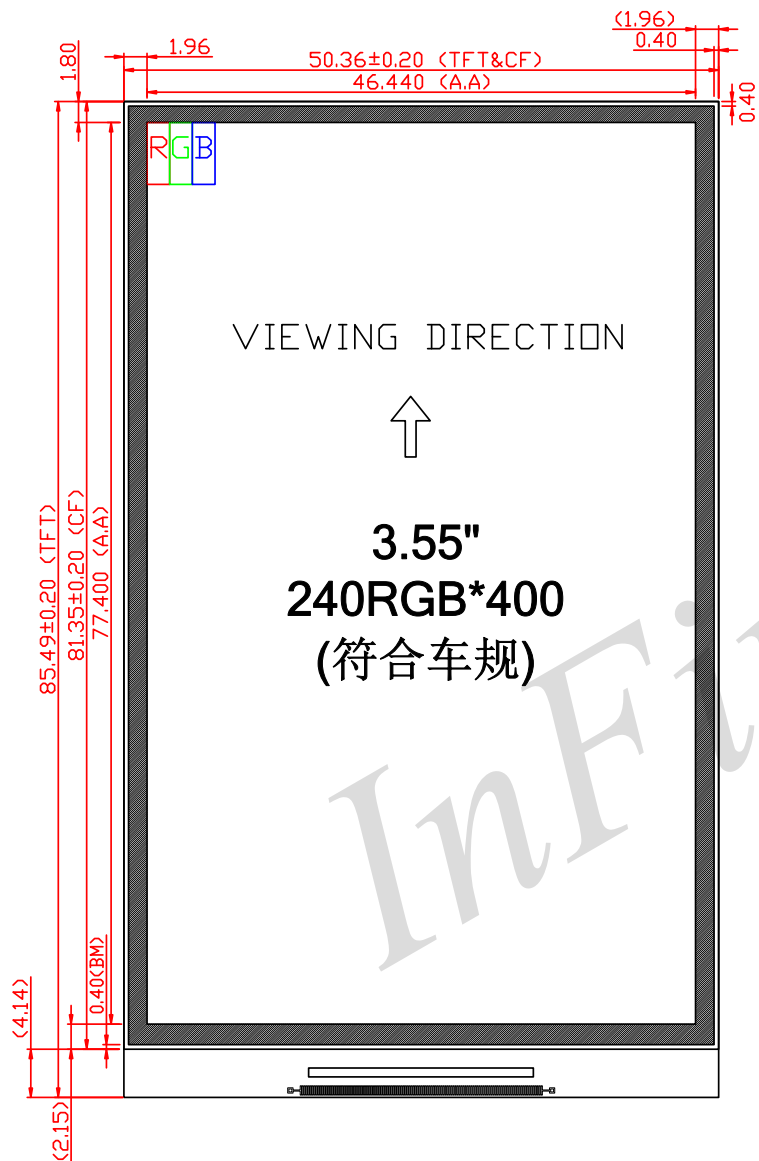
Description	Spec	Remark
LCD Type	α -Si TFT	
Active Screen size(inch)	3.5" diagonal	inch
Resolution	240(H) * 320 (V) * (RGB)	pixels
Active Area(mm)	53.28 (W) * 71.04 (H)	mm
Outline Dimension(mm)	61.88(W) * 81.30 (H) * 1.0(T)	mm
Glass Border (mm)		U/D/L/R
Panel Thickness	1.0mm	
Display Mode	Transmissive, Normally Black	
Viewing Direction	Wide View Angle	O'Clock
Contrast Ratio	900	
NTSC	66%	
Transmittance	4.6%	
Display Color		
IF		
Driver IC	S1D19K07D02	
Sample		

3.5" 480RGB*640 Spec



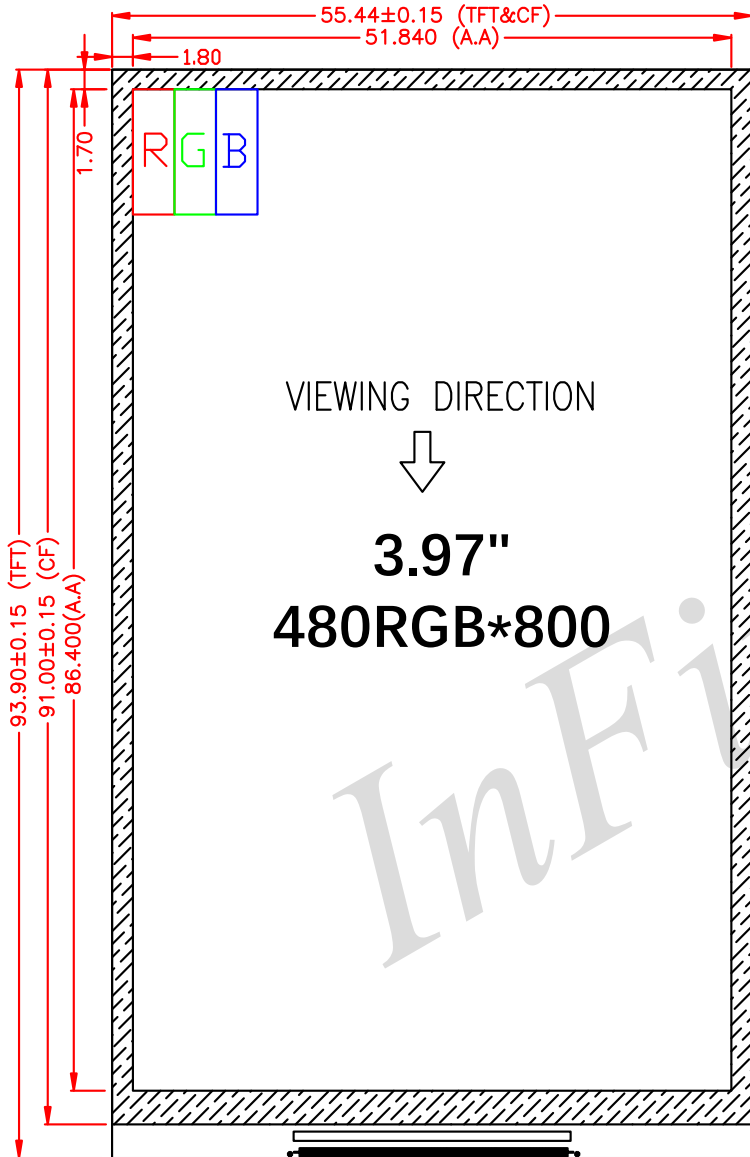
Description	Spec	Remark
LCD Type	α -Si TFT	
Active Screen size(inch)	3.5" diagonal	inch
Resolution	480(H) x(RGB) x640(V)	pixels
Active Area(mm)	53.868(W) x 71.424(H)	mm
Outline Dimension(mm)	57.57(W) x80.75(H)	mm
Glass Border(mm)	2.0/7.3/2.0/2.0	U/D/L/R
Panel Thickness	1.0mm	
Display Mode	TRANSFLECTIVE	
Viewing Direction	12:00	O'Clock
Contrast Ratio	80	
NTSC	38%	
Transmittance	0.8%	
Display Color	16.7M	
IF	RGB	
Driver IC	HX8363-A	

3.55" 240RGB*400 Spec (符合车规)



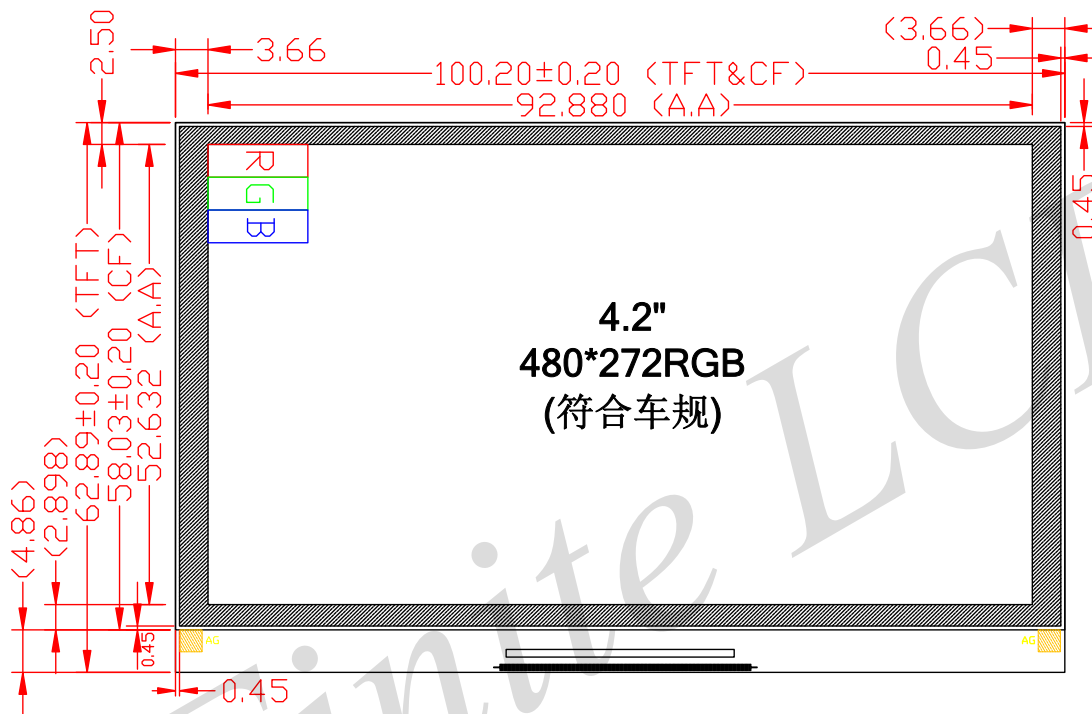
Description	Spec	Remark
LCD Type	α-Si TFT	
Active Screen size (inch)	3.55" diagonal	inch
Resolution	240(H) * (RGB) * 400 (V)	pixels
Active Area (mm)	46.44 (W) * 77.40 (H)	mm
Outline Dimension (mm)	50.36 (W) * 85.49 (H) * 1.0 (T)	mm
Glass Border (mm)		U/D/L/R
Panel Thickness	1.0mm	
Display Mode	TN, Transmissive, Normally White	
Viewing Direction	6:00	O'Clock
Contrast Ratio	700	
NTSC	62%	
Transmittance	5.3%	
Display Color		
IF		
Driver IC	R61509V	
Sample		

3.97" WVGA Spec



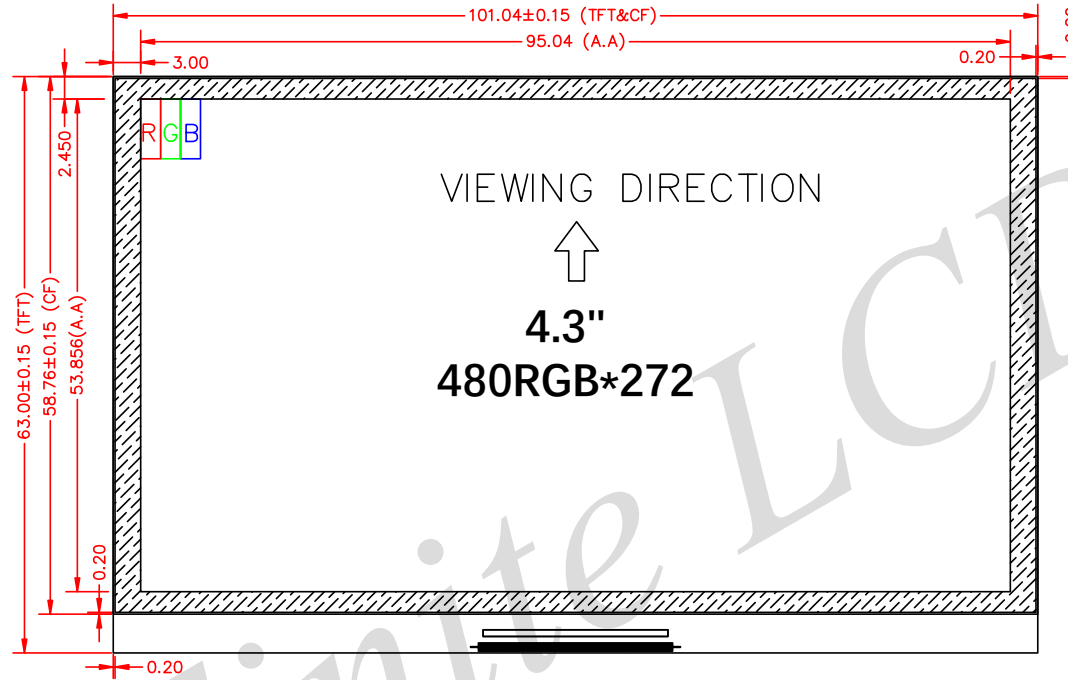
Description	Spec	Remark
LCD Type	α -Si TFT	
Active Screen size(inch)	3.97" diagonal	
Resolution	480(H)x(RGB)x800(V)	
Active Area(mm)	51.84(W)x86.4(H)	
Outline Dimension(mm)	55.44(W)x93.9(H)	
Glass Border(mm)	1.7/5.8/1.8/1.8	U/D/L/R
Panel Thickness	0.8mm	
Display Mode	Transmissive, Normally White	
Viewing Direction(Gray Level Inversion Direction)	12:00	O'Clock
Contrast Ratio	600	
NTSC	57.5%	
Transmittance	4.1%	
Display Color	16.7M	
IF	MIPI	
Driver IC	ST7701S-G5	

4.2" 480*272RGB Spec (符合车规)



Description	Spec	Remark	Description	Spec	Remark
LCD Type	α-Si TFT		Viewing Direction	Wide View Angle	O'Clock
Active Screen size(inch)	4.2" diagonal	inch	Contrast Ratio	800	
Resolution	480(H) * 272 (V) * (RGB)	Pixels	NTSC	66%	
Active Area(mm)	92.880 (W) * 52.632 (H)	mm	Transmittance	3.3%	
Outline Dimension(mm)	100.2 (W) * 62.89 (H) * 1.0(T)	mm	Display Color		
Glass Border (mm)	2.5/7.76/3.66/3.66	U/D/L/R	IF		
Panel Thickness	1.0mm	mm	Driver IC	S1D19K07	
Display Mode	Transmissive, Normally Black		Sample		

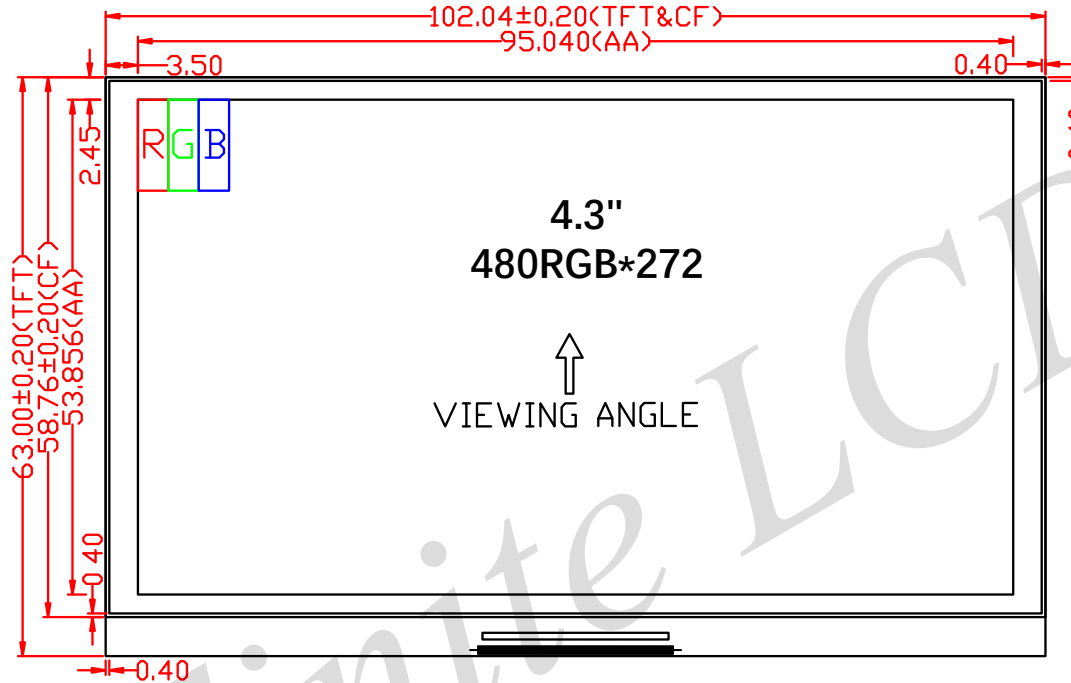
4.3" 480RGB*272 Spec



Description	Spec	Remark	Description	Spec	Remark
LCD Type	α -Si TFT		Viewing Direction	6:00	O'Clock
Active Screen size(inch)	4.3" diagonal		Contrast Ratio	600	
Resolution	480(H)x(RGB)x272(V)		NTSC	50%	
Active Area(mm)	95.04(W)x53.86(H)		Transmittance	5.7%	
Outline Dimension(mm)	101.04(W)x63.0(H)		Display Color	16.7M	
Glass Border(mm)	2.45/6.69/3.0/3.0	U/D/L/R	IF	RGB/LVDS	
Panel Thickness	1.0mm		Driver IC	ST7282/ILI6485	
Display Mode	Transmissive Normally White				

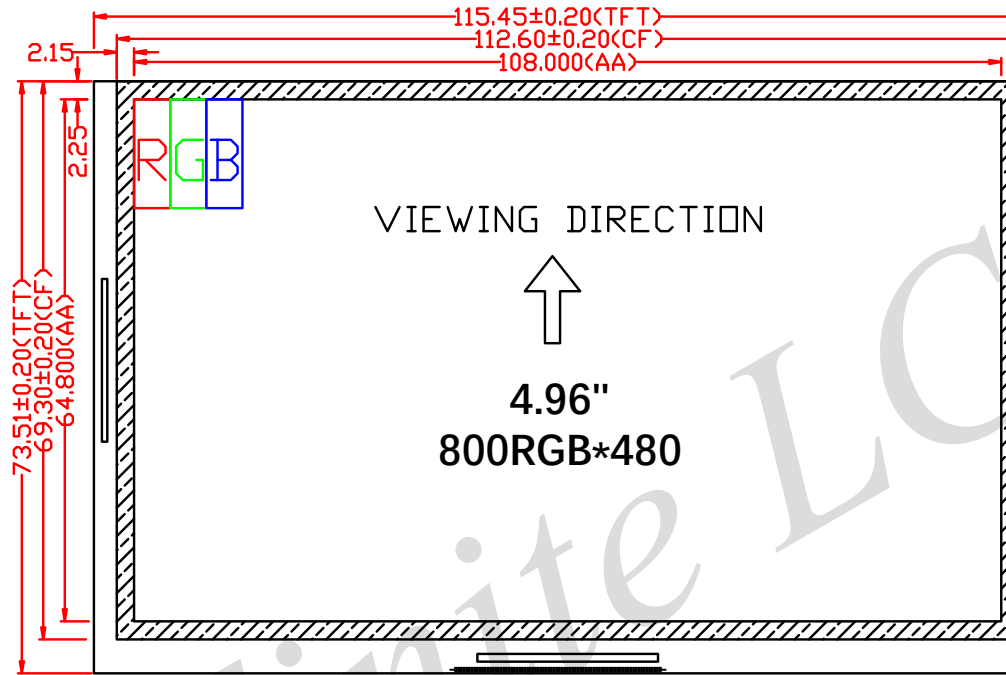


4.3" 480RGB*272 Spec



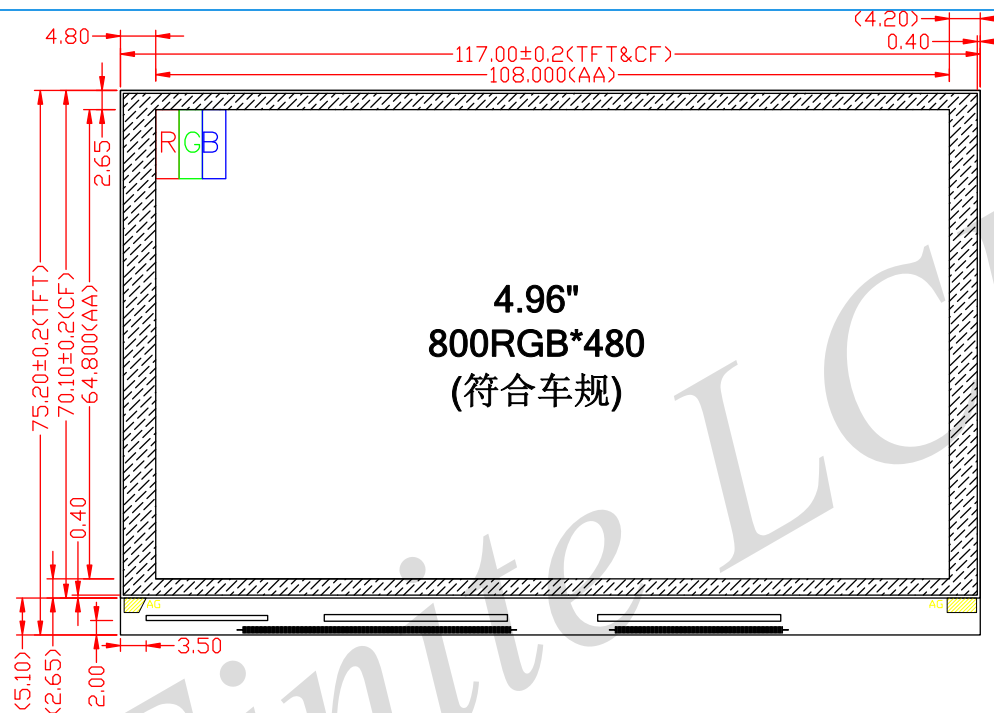
Description	Spec	Remark	Description	Spec	Remark
LCD Type	α -Si TFT		Viewing Direction	6:00	O'Clock
Active Screen size(inch)	4.3" diagonal		Contrast Ratio	1000	
Resolution	480(H)x(RGB)x272(V)		NTSC	50%	
Active Area(mm)	95.04(W)x53.86(H)		Transmittance	5.7%	
Outline Dimension(mm)	102.04(W)x63.0(H)		Display Color	16.7M	
Glass Border(mm)	2.45/6.69/3.5/3.5	U/D/L/R	IF	RGB/LVDS	
Panel Thickness	1.0mm		Driver IC	ST7282/ILI6485	
Display Mode	Transmissive Normally White				

4.96" 800RGB*480 Spec



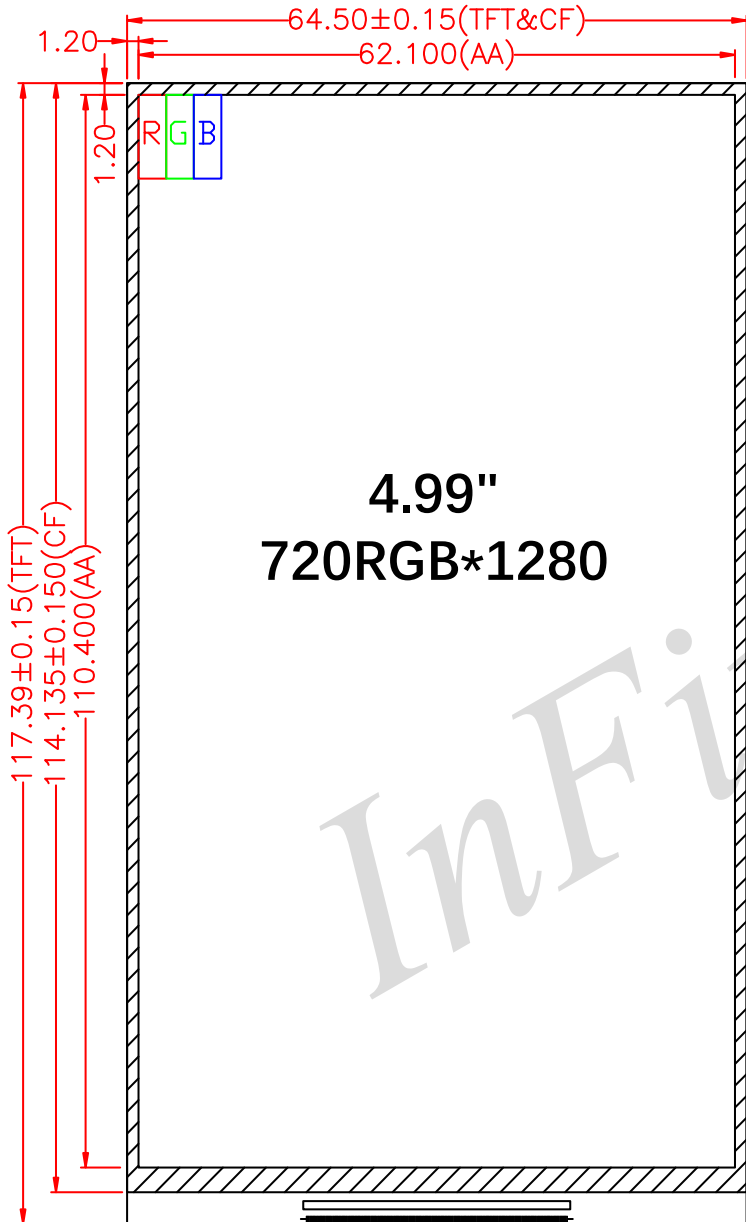
Description	Spec	Remark	Description	Spec	Remark
LCD Type	α -Si TFT		Viewing Direction	6:00	O'Clock
Active Screen size(inch)	4.96" Diagonal		Contrast Ratio	850	
Resolution	800(H)x(RGB)x480(V)		NTSC	50%	
Active Area(mm)	108.0(W)x64.8(H)		Transmittance	3.8%	
Outline Dimension(mm)	115.45(W)x73.51(H)		Display Color	16.7M	
Glass Border(mm)	2.25/6.46/5.0/2.45	U/D/L/R	IF	RGB	
Panel Thickness	1.0mm		Driver IC	HX8264-E(Source IC) HX8664-B(Gate IC)	
Display Mode	Transmissive Normally White				

4.96" 800RGB*480 Spec (符合车规)



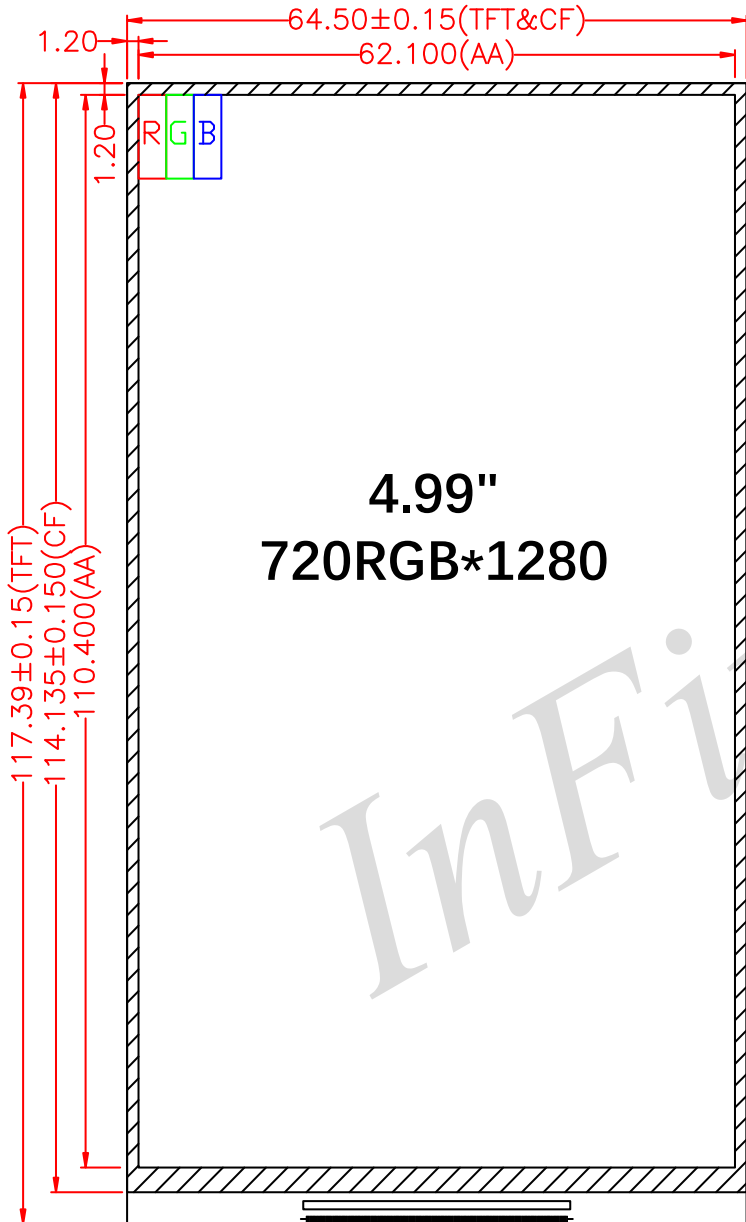
Description	Spec	Remark	Description	Spec	Remark
LCD Type	α-Si TFT		Viewing Direction	Wide View Angle	O'Clock
Active Screen size(inch)	4.96" diagonal	inch	Contrast Ratio	800	
Resolution	800(H) * (RGB) * 480 (V)	Pixels	NTSC	68%	
Active Area(mm)	108.000 (W) * 64.800 (H)	mm	Transmittance	3.6%	
Outline Dimension(mm)	117.00 (W) * 75.2 (H) * 1.0(T)	mm	Display Color		
Glass Border(mm)		U/D/L/R	IF		
Panel Thickness	1.0mm	mm	Driver IC	ST5821AD*2+ST5084AA*1	
Display Mode	Transmissive Normally Black		Sample		

4.99" HD Spec



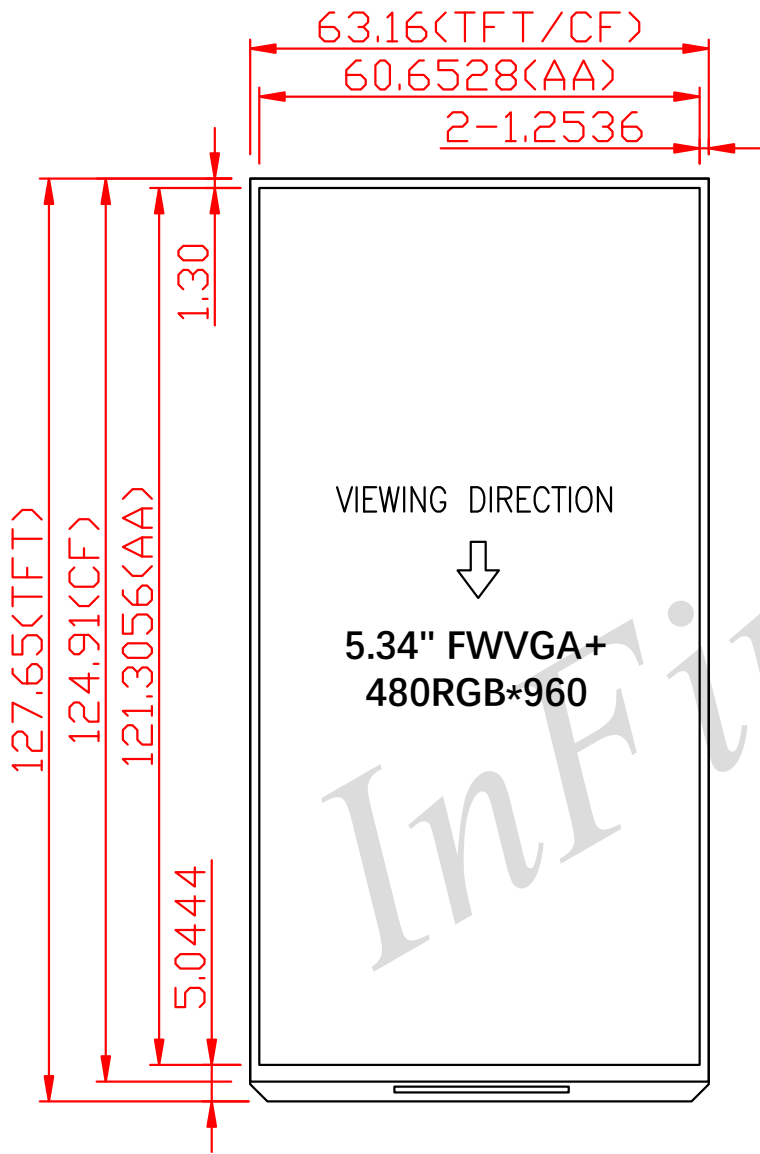
Description	Spec	Remark
LCD Type	α-Si TFT	
Active Screen size (inch)	4.99" diagonal	
Resolution	720(H)x(RGB)x1280(V)	
Active Area (mm)	62.10(W)x110.40(H)	
Outline Dimension (mm)	64.50(W)x117.39(H)	
Glass Border (mm)	1.2/5.79/1.2/1.2	U/D/L/R
Panel Thickness	0.4mm	
Display Mode	Transmissive, Normally Black	
Viewing Direction (Gray Level Inversion Direction)	Free View	O'Clock
Contrast Ratio	800	
NTSC	70%	
Transmittance	3.0%	w/o APCF
Display Color	16.7M	
IF	MIPI	
Driver IC	HX8394-F	

4.99" HD Spec



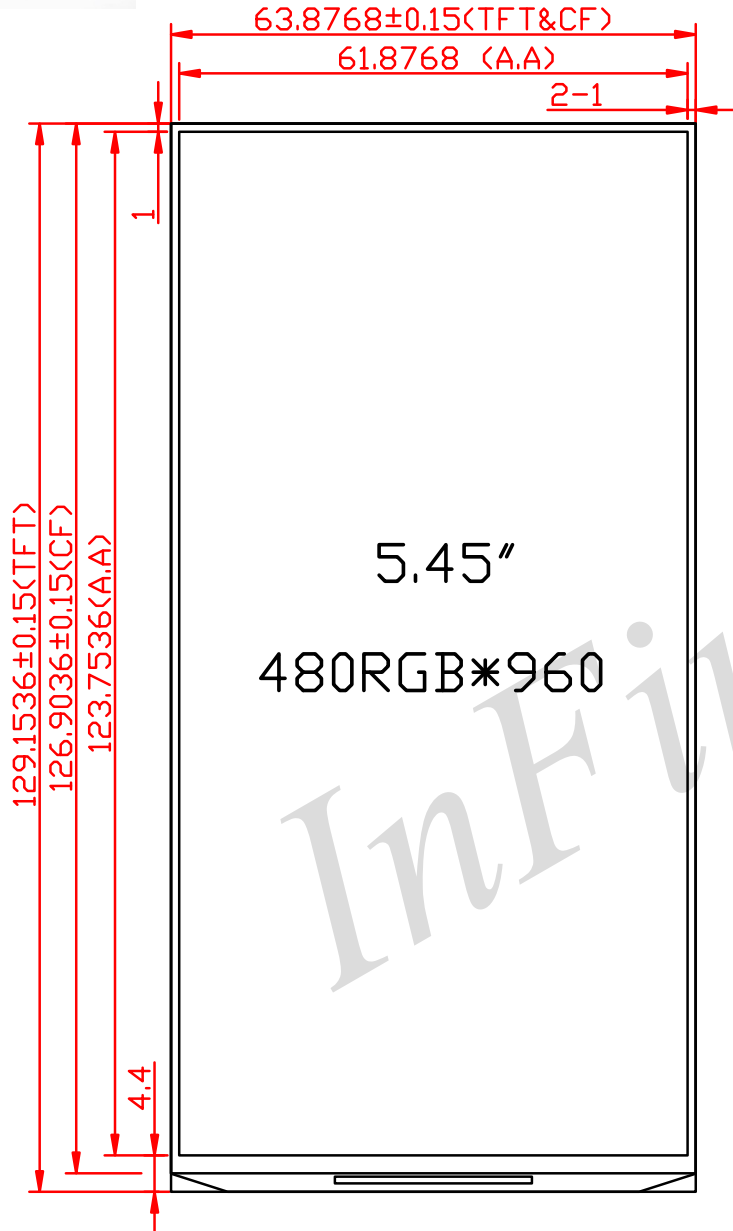
Description	Spec	Remark
LCD Type	α-Si TFT	
Active Screen size(inch)	4.99" diagonal	
Resolution	720(H)x(RGB)x1280(V)	
Active Area(mm)	62.10(W)x110.40(H)	
Outline Dimension(mm)	64.50(W)x117.39(H)	
Glass Border(mm)	1.2/5.79/1.2/1.2	U/D/L/R
Panel Thickness	0.4mm	
Display Mode	Transmissive, Normally Black	
Viewing Direction(Gray Level Inversion Direction)	Free View	O'Clock
Contrast Ratio	800	
NTSC	69%	
Transmittance	3.0%	w/o APCF
Display Color	16.7M	
IF	MIPI	
Driver IC	HX8394-F	

5.34" FWVGA+ Spec



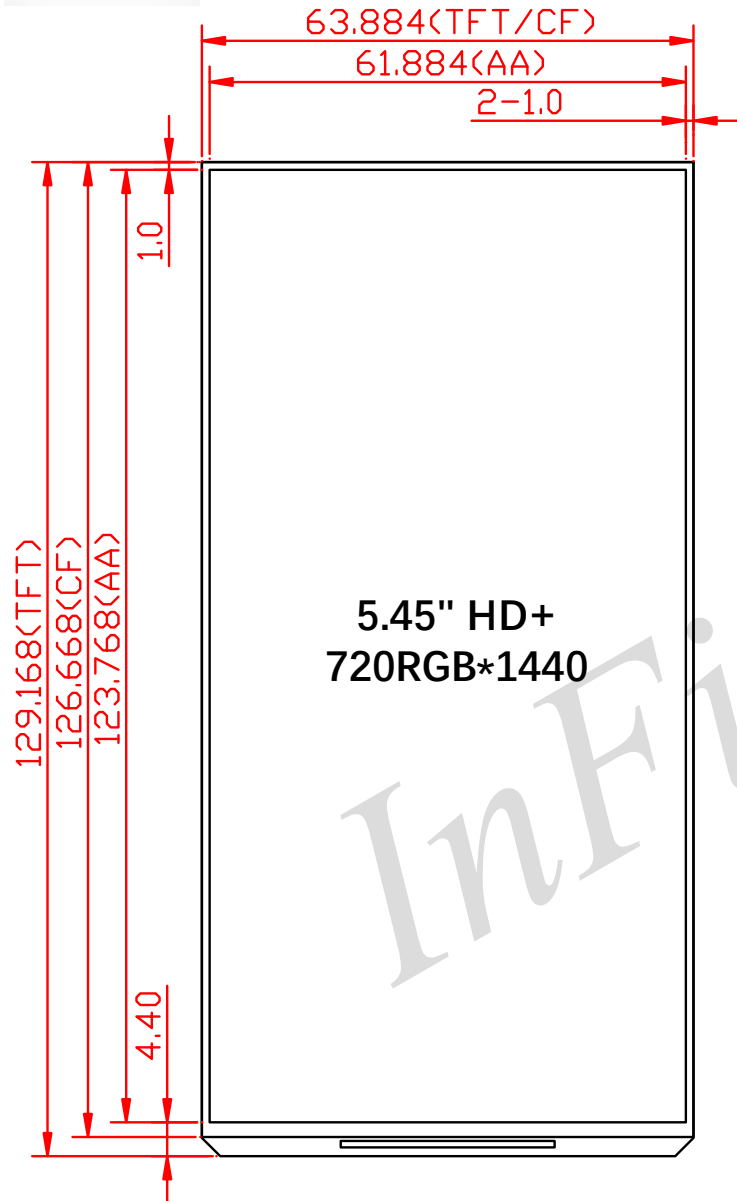
Description	Spec	Remark
LCD Type	α-Si TFT	
Active Screen size (inch)	5.34" diagonal	
Resolution	480(H)x(RGB)x960(V)	
Active Area (mm)	60.6528(W)x121.3056(H)	
Outline Dimension (mm)	63.16(W)x127.65(H)	
Glass Border (mm)	1.3/5.0444/1.2536/1.2536	U/D/L/R
Panel Thickness	Typ.	
Display Mode	Transmissive, Normally White	
Viewing Direction (Gray Level Inversion Direction)	12:00	O'Clock
Contrast Ratio	800 (Typ.)	
NTSC	60%	
Transmittance	4.2%	
Display Color	16.7M	
IF	MIPI	
Driver IC	ST7701S/HX8379-C	
Panel Outline C-Cut (mm)	2.38x2.38	

5.45" FWVGA+ Spec



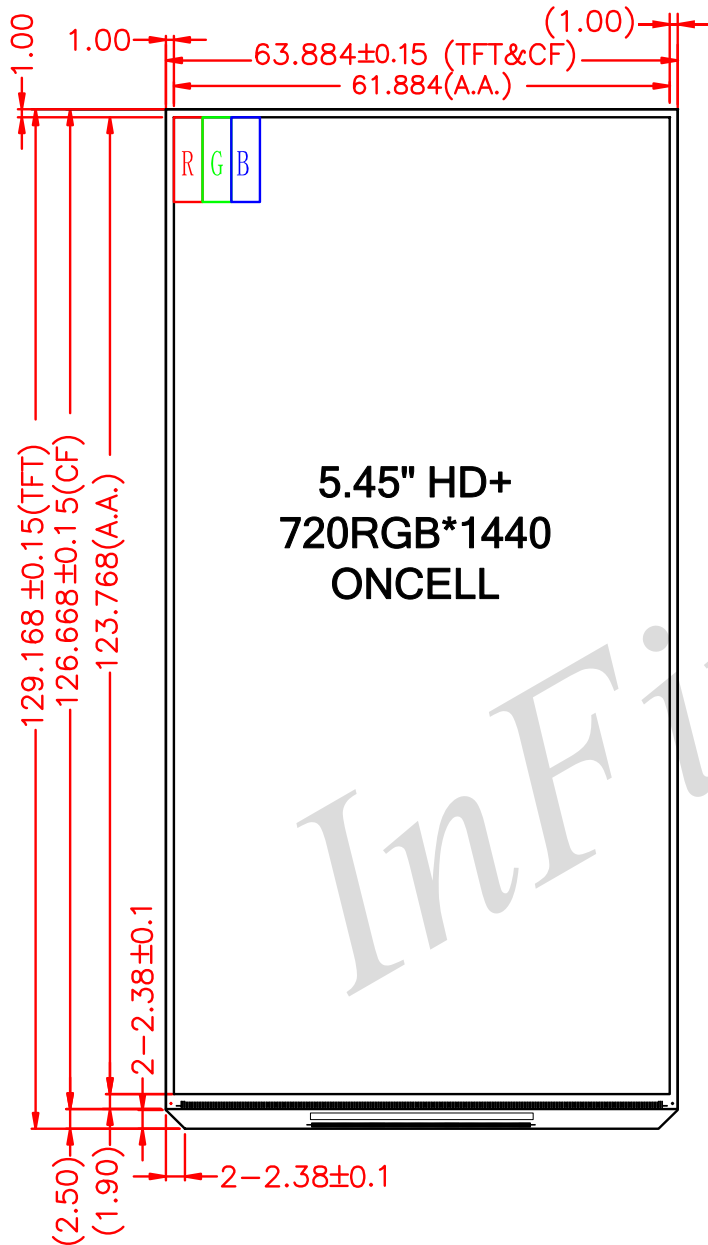
Description	Spec	Remark
LCD Type	A-Si TFT	
Active Screen size(inch)	5.45" diagonal	
Resolution	480(H)x(RGB)x960(V)	
Active Area(mm)	61.8768(w)x123.7536(H)	
Outline Dimension(mm)	63.8768(w)x129.1536(H)	
Glass Border(mm)	1.0/4.40/1.0/1.0	U/D/L/R
Panel Thickness	0.4mm Typ	
Display Mode	Transmissive, Normally White	
Viewing Direction	Free View	O'Clock
Contrast Ratio	1000(Typ.)	
NTSC	70%(Typ.)	
Transmittance	3.8% (Typ. w/o APCF)	
Display Color	16.7M	
IF	MIPI	
Driver IC	ST7701S/ILI9806E/HX8379-C /JD9161	

5.45" HD+ OUTCELL Spec



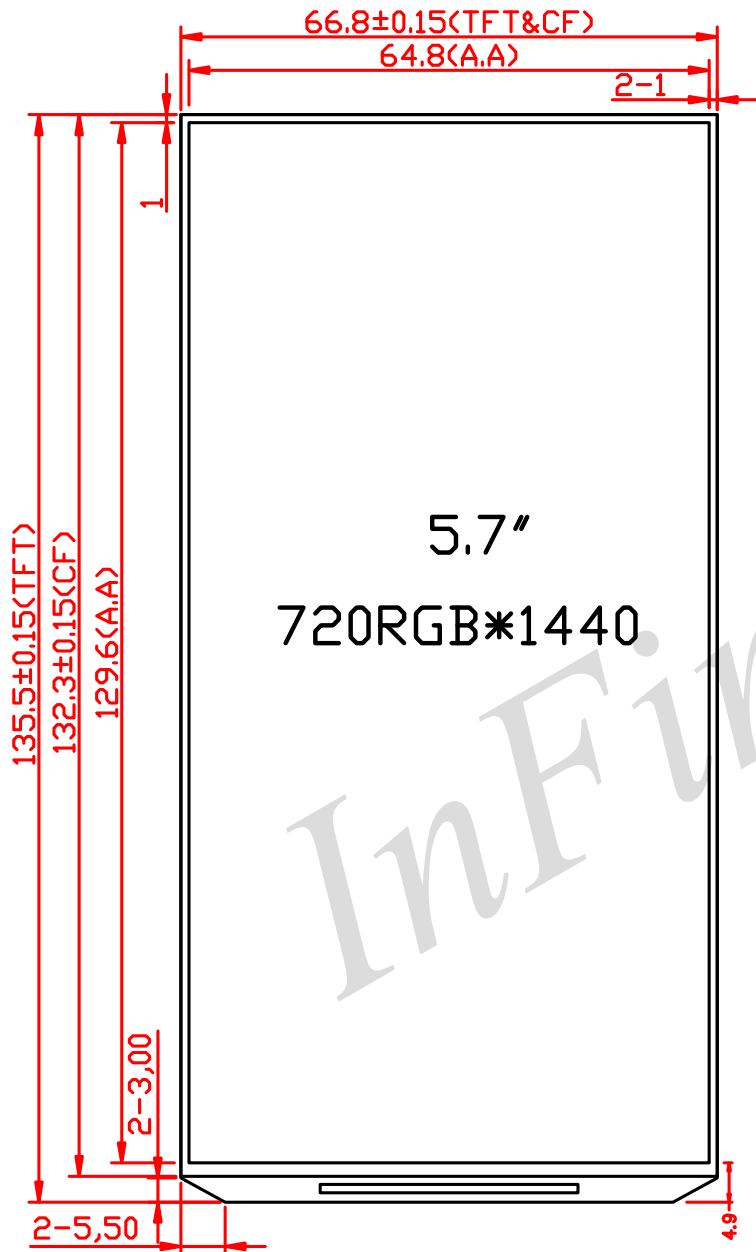
Description	Spec	Remark
LCD Type	α -Si TFT	
Active Screen size(inch)	5.45" diagonal	
Resolution	720(H)x(RGB)x1440(V)	
Active Area(mm)	61.884(W)x123.768(H)	
Outline Dimension(mm)	63.884(W)x129.168(H)	
Glass Border(mm)	1.0/4.4/1.0/1.0	U/D/L/R
Panel Thickness	0.15+0.15mm(Typ.)	
Display Mode	Transmissive, Normally Black	
Viewing Direction	Free View	O'Clock
Contrast Ratio	800(Typ.)	
NTSC	70.6%	
Transmittance	4.0%	
Display Color	16.7M	
IF	MIPI	
Driver IC	R61350C/HX8394F/ST7703	
AA R-Cut(4 corner)	NA	
Panel Outline C-Cut(mm)	2.38x2.38	

5.45" HD+ ONCELL HD+ Spec



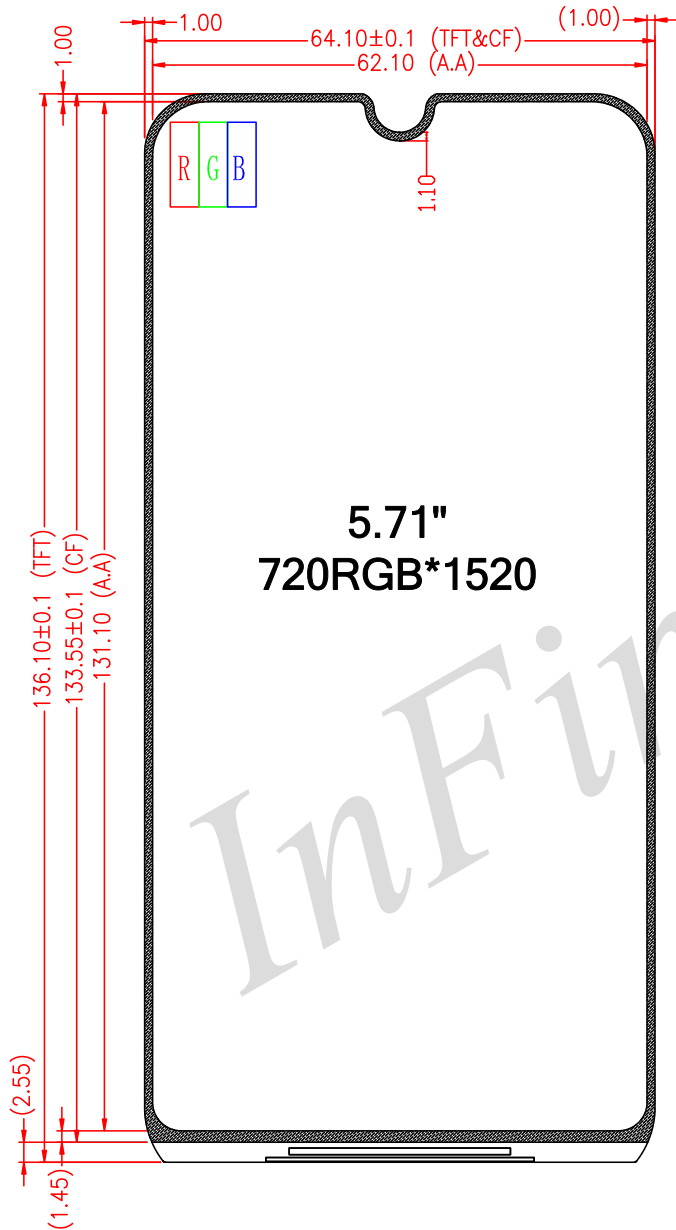
Description	Spec	Remark
LCD Type	α-Si TFT	
Active Screen size(inch)	5.45" diagonal	
Resolution	720(H)x(RGB)x1440(V)	
Active Area(mm)	61.884(W)x123.768(H)	
Outline Dimension(mm)	63.884(W)x129.358(H)	
Glass Border(mm)	1.0/4.59/1.0/1.0	U/D/L/R
Panel Thickness	0.15+0.15mm(Typ.)	
Display Mode	Transmissive, Normally Black	
Viewing Direction	Free View	O'Clock
Contrast Ratio	1200(Typ.)	
NTSC	70%	
Transmittance	3.5% (Typ. w/o APCF)	
Display Color	16.7M	
IF	MIPI	
Driver IC	FT8006U/HX83102D/ILI9881H	

5.7" HD+ INCELL Spec



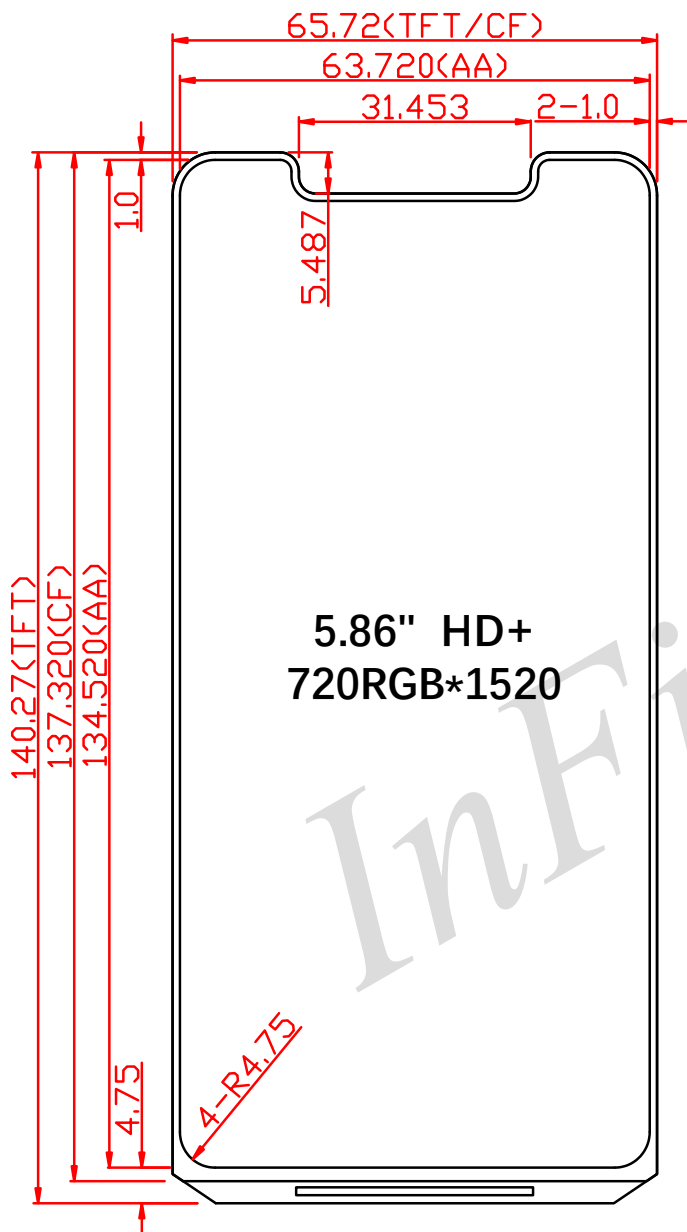
Description	Spec	Remark
LCD Type	α-Si TFT	
Active Screen size(inch)	5.7" Diagonal	
Resolution	720(H)x(RGB)x1440(V)	
Active Area(mm)	64.800(W) x129.600(H)	
Outline Dimension(mm)	66.80(W) x135.50 (H)	
Glass Border(mm)	1.0/4.9/1.0/1.0	U/D/L/R
Panel Thickness	0.15+0.15mm(Typ.)	
Display Mode	Transmissive, Normally Black	
Viewing Direction	Free View	
Contrast Ratio	1200(Typ.)	
NTSC	72.4% (Typ.)	
Transmittance	3.5% (Typ. w/o APCF)	
Display Color	16.7M	
IF	MIPI	
Driver IC	NT36525/TD4130/HX83102-B /FT8006U/ILI9881E/ILI9881F/ILI9881H/FT8006S/HX83102-D/S6D7AT0B01-EVT1/SSD2078	

5.71" HD+ Incell Notch Spec



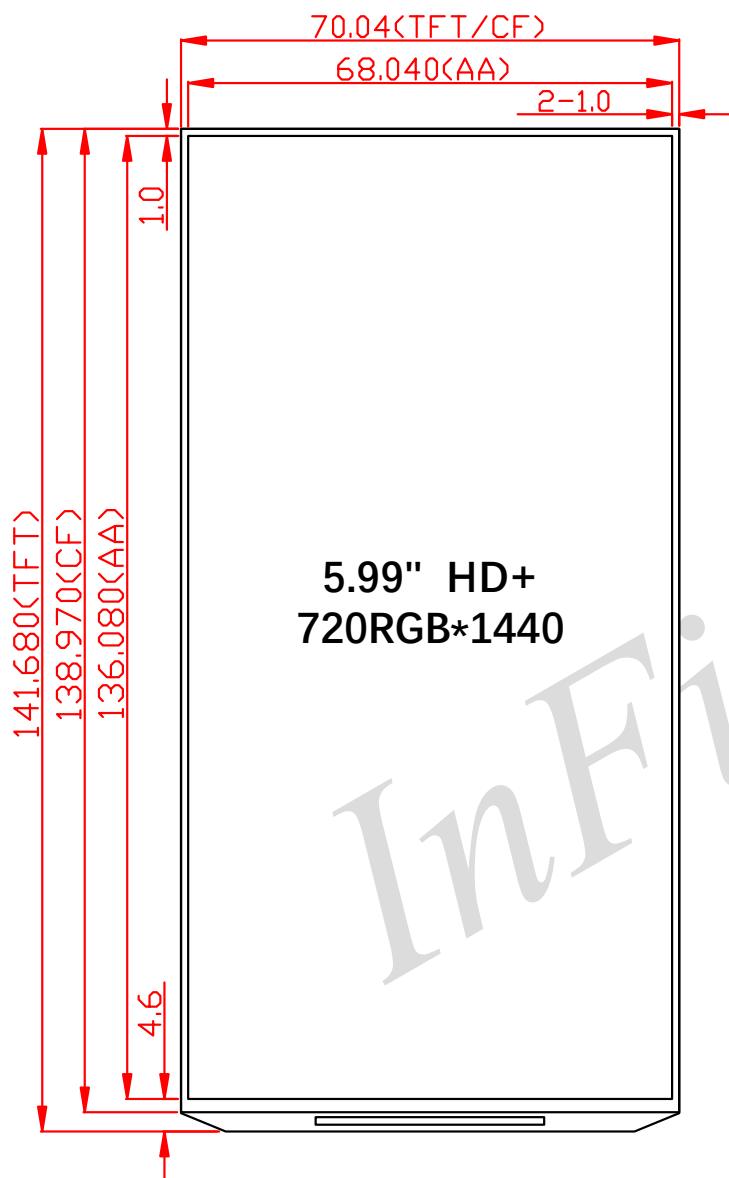
Description0	Spec	Remark
LCD Type	α-Si TFT	
Active Screen size(inch)	5.71" Diagonal	
Resolution	720(H)x(RGB)x1520(V)	
Active Area(mm)	62.10(W) x131.10(H)	
Outline Dimension(mm)	64.10(W) x136.10 (H)	
Glass Boarder(mm)	1.0/4.0/1.0/1.0	U/D/L/R
Panel Thickness	0.15mm (Typ.)	
Display Mode	Transmissive Normally Black	
Viewing Direction	Wide View Angle	
Contrast Ratio	1200(Typ.)	
NTSC	72.4% (Typ.)	
Transmittance	3.5% (Type w/o APCF)	
Display Color	16.7M	
IF	MIPI	
Driver IC	HX8394-F/ILI9881C-04/R61350/ST7703	
Panel Outline C-Cut(mm)	2.65mm*6.99mm	圆弧

5.86" HD+ Incell Notch Spec



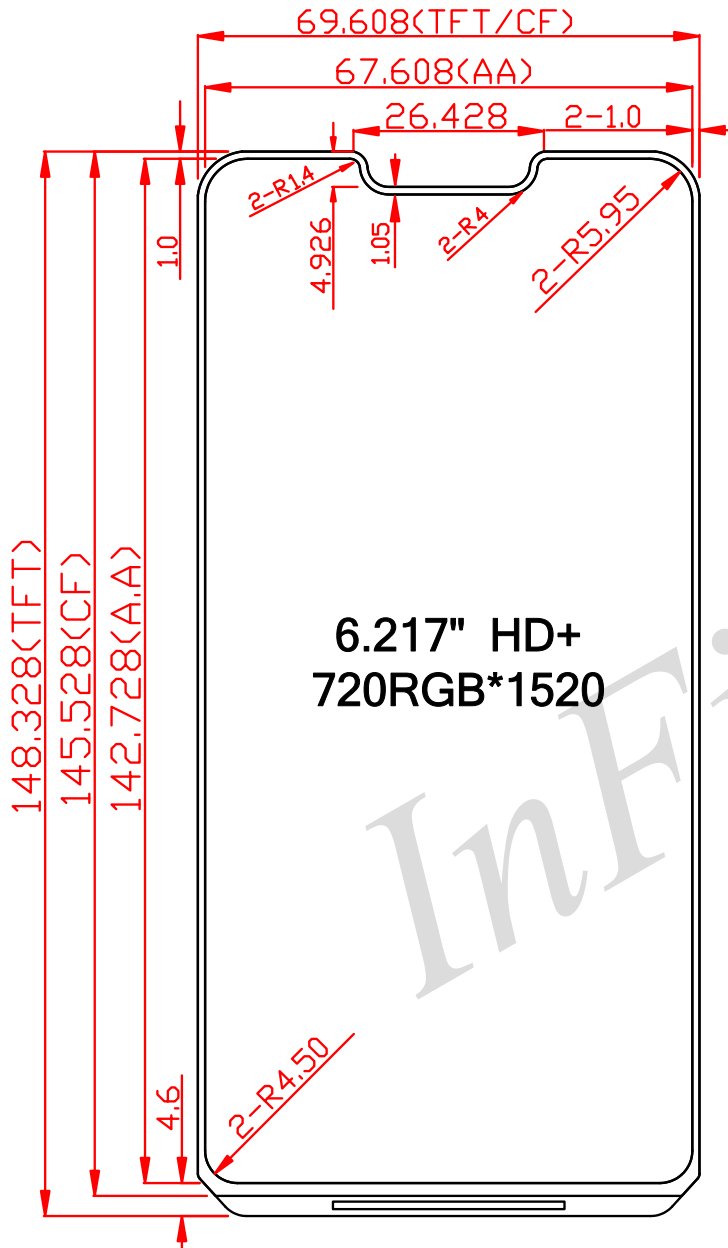
Description	Spec	Remark
LCD Type	α -Si TFT	
Active Screen size(inch)	5.86" diagonal	
Resolution	720(H)x(RGB)x1520(V)	
Active Area(mm)	63.720(W)x134.520(H)	
Outline Dimension(mm)	65.72(W)x140.27(H)	
Glass Border(mm)	1.0/4.75/1.0/1.0	U/D/L/R
Panel Thickness	0.15+0.15mm(Typ.)	
Display Mode	Transmissive, Normally Black	
Viewing Direction	Free View	O'Clock
Contrast Ratio	1200(Typ.)	
NTSC	70.6%	
Transmittance	3.5% w/o APCF	
Display Color	16.7M	
IF	MIPI	
Driver IC	HX83102-D / NT36525 / FT8006S / ILI9881H	
Panel Outline C-Cut(mm)	5.86x3.9	

5.99" HD+ INCELL Spec



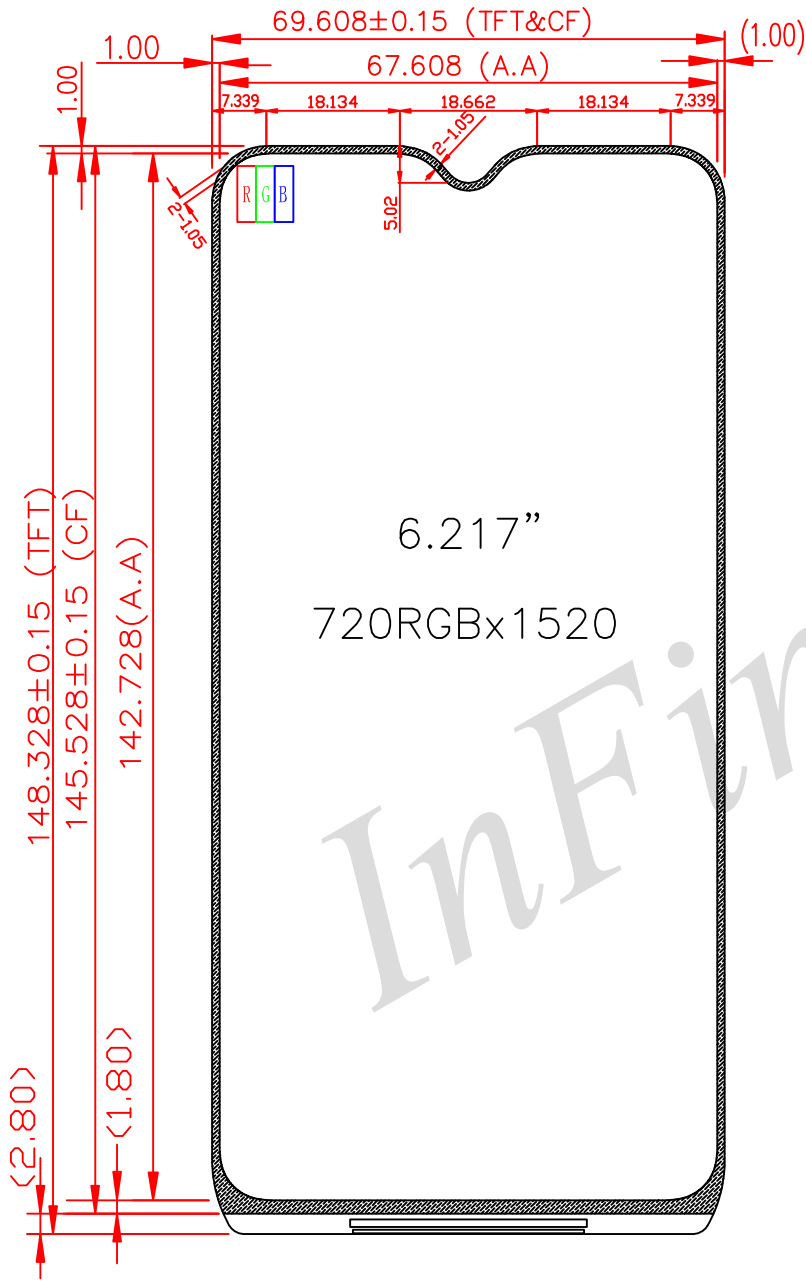
Description	Spec	Remark
LCD Type	α -Si TFT	
Active Screen size(inch)	5.99" Diagonal	
Resolution	720(H)x(RGB)x1440(V)	
Active Area(mm)	68.04(W)x136.08(H)	
Outline Dimension(mm)	70.04 (W)x141.68(H)	
Glass Border(mm)	1.0/4.6/1.0/1.0	U/D/L/R
Panel Thickness	0.15+0.15mm(Typ.)	
Display Mode	Transmissive, Normally Black	
Viewing Direction	Free View	
Contrast Ratio	1200(Typ.)	
NTSC	73.1% (Typ.)	
Transmittance	3.5%(Typ.)	
Display Color	16.7M	
IF	MIPI	
Driver IC	NT36525/ HX83102-B/ FT8006U/ ILI9881H / FT8006S / HX83102-D/ S6D7AT0B01	
Panel Outline C-Cut(mm)	6.28x2.6	

6.217" HD+ Incell Notch Spec(大Notch)



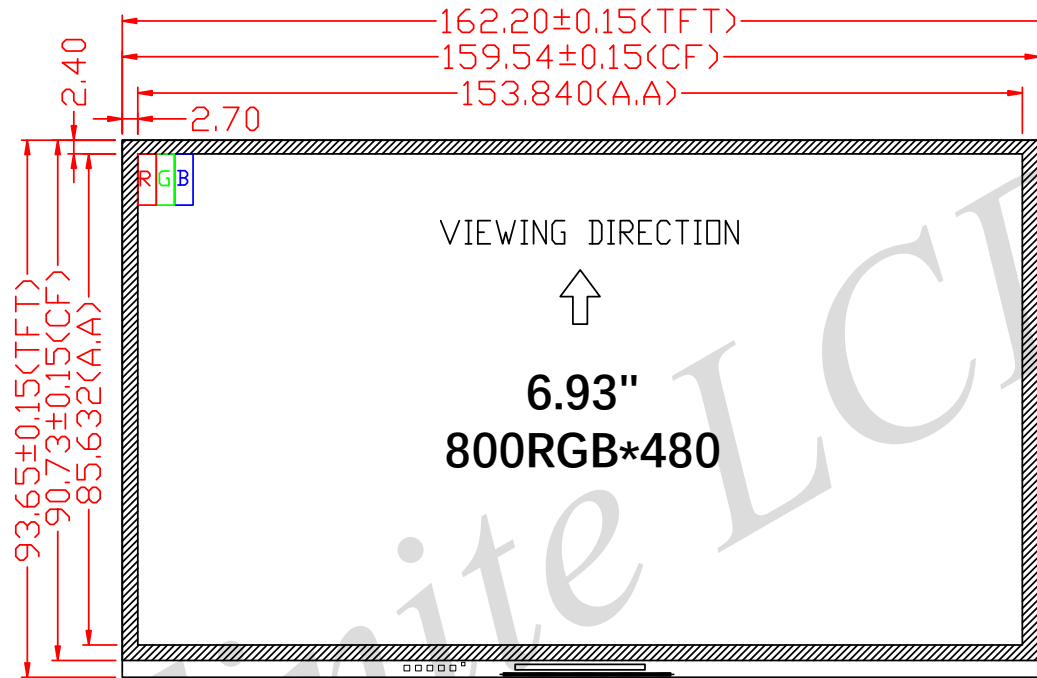
Description	Spec	Remark
LCD Type	α-Si TFT	
Active Screen size(inch)	6.22" Diagonal	
Resolution	720(H)x(RGB)x1520(V)	
Active Area(mm)	67.608(W)x142.728(H)	
Outline Dimension(mm)	69.608(W)x148.328(H)	
Glass Border(mm)	1.0/4.6/1.0/1.0	U/D/L/R
Panel Thickness	0.15+0.15mm(Typ.)	
Display Mode	Transmissive, Normally Black	
Viewing Direction	Free View	
Contrast Ratio	1200(Typ.)	
NTSC	72.4% (Typ.)	
Transmittance	4.5% (Typ. w/o APCF)	
Display Color	16.7M	
IF	MIPI	
Driver IC	NT36525/HX83102-B/ FT8006U /ILI9881H/FT8006S /HX83102-D/S6D7AT0B01/SSD2078	
AA R-Cut(4 corner)	R5.95/R4.5	U/D
Panel Outline C-Cut(mm)	5.0x5.5	

6.217" HD+ Incell Notch Spec(小Notch)



Description	Spec	Remark
LCD Type	α -Si TFT	
Active Screen size(inch)	6.22" Diagonal	
Resolution	720(H)x(RGB)x1520(V)	
Active Area(mm)	67.608(W)x142.728(H)	
Outline Dimension(mm)	69.608(W)x148.328(H)	
Glass Border(mm)	1.0/4.6/1.0/1.0	U/D/L/R
Panel Thickness	0.15+0.15mm(Typ.)	
Display Mode	Transmissive, Normally Black	
Viewing Direction	Free View	
Contrast Ratio	1200(Typ.)	
NTSC	72.4% (Typ.)	
Transmittance	3.5% (Typ. w/o APCF)	
Display Color	16.7M	
IF	MIPI	
Driver IC	NT36525/HX83102-B/ FT8006U /IL19881H/FT8006S /HX83102-D/S6D7AT0B01/SSD2078	

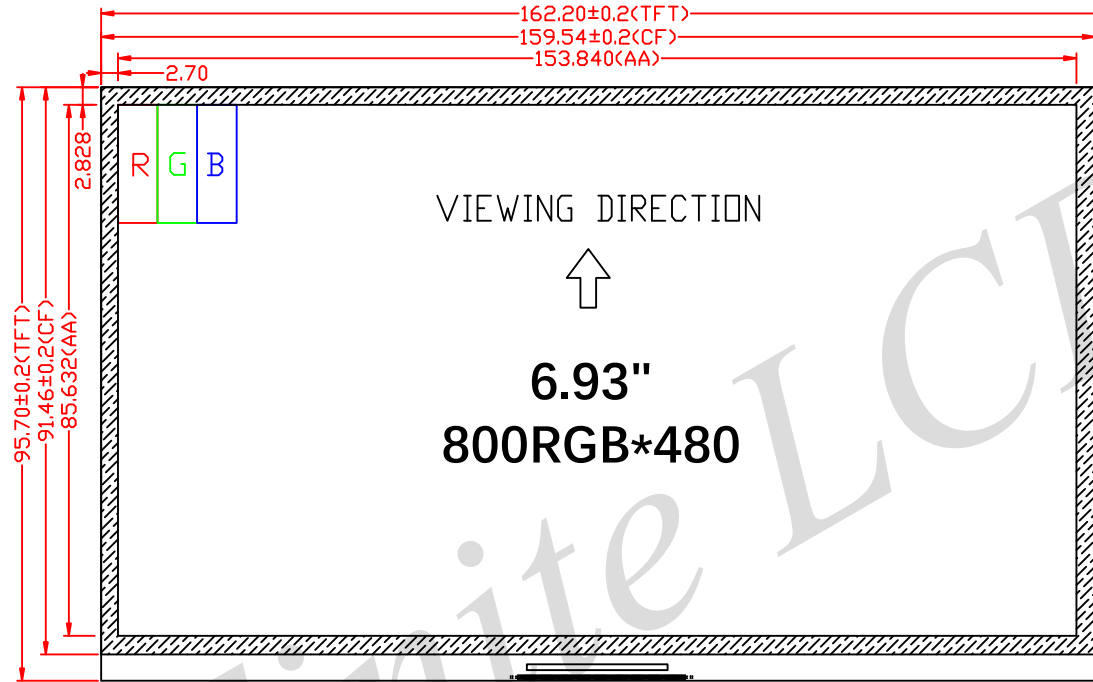
6.93" 800RGB*480 Spec



Description	Spec	Remark	Description	Spec	Remark
LCD Type	α -Si TFT		Viewing Direction	6:00	O'Clock
Active Screen size(inch)	6.93" diagonal		Contrast Ratio	600	
Resolution	800(H)x(RGB)x480(V)		NTSC	50.5%	
Active Area(mm)	153.84(W)x85.632(H)		Transmittance	5.2%	
Outline Dimension(mm)	162.20(W)x93.65(H)		Display Color	16.7M	
Glass Border(mm)	2.4/5.618/2.7/5.66	U/D/L/R	IF	RGB/LVDS	
Panel Thickness	1.0mm		Driver IC	HX8264+HX8664	
Display Mode	Transmissive Normally White				

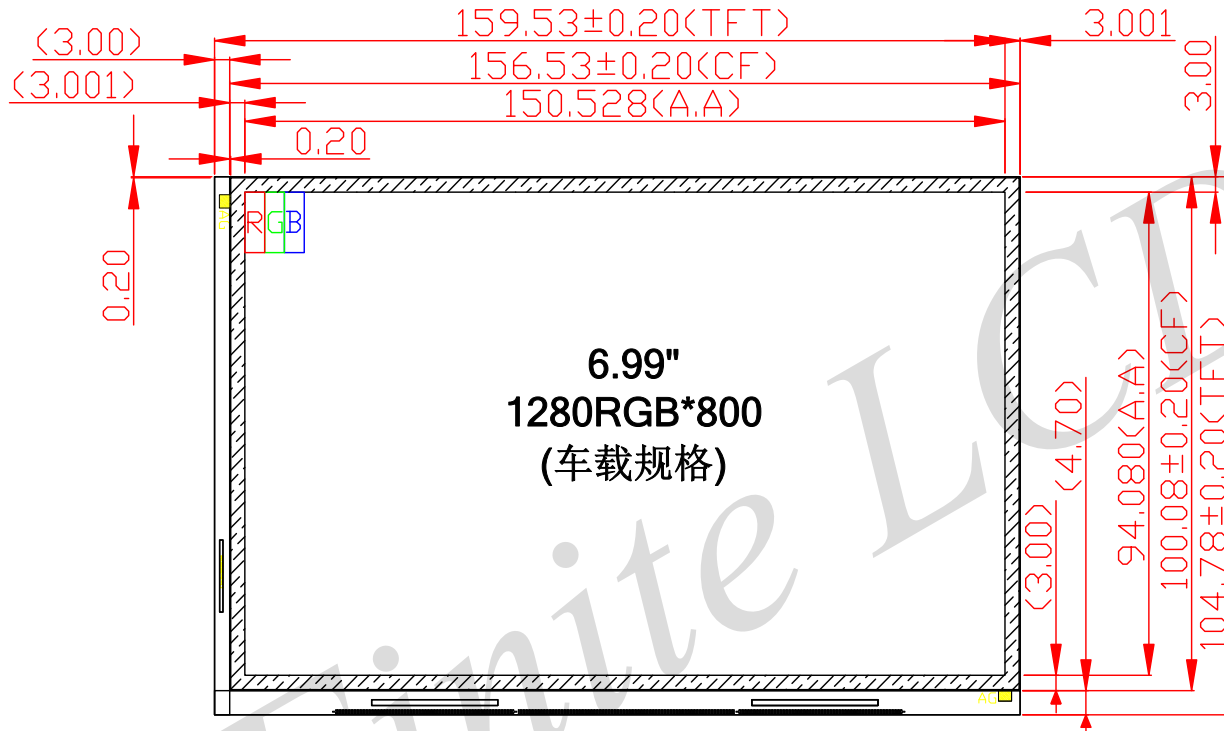


6.93" 800RGB*480 Spec



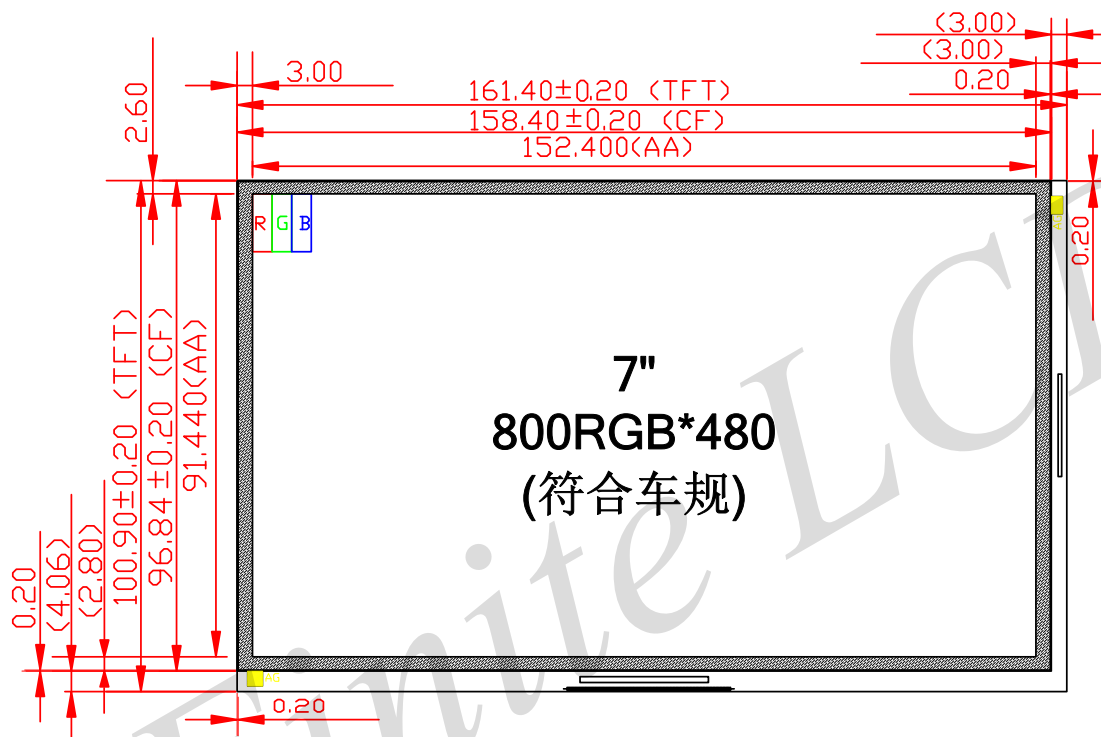
Description	Spec	Remark	Description	Spec	Remark
LCD Type	α -Si TFT		Viewing Direction	6:00	O'Clock
Active Screen size(inch)	6.93" Diagonal		Contrast Ratio	700	
Resolution	800(H)x(RGB)x480(V)		NTSC	50%	
Active Area(mm)	153.84(W)x85.632(H)		Transmittance	5.2%	
Outline Dimension(mm)	162.20(W)x95.70(H)		Display Color	16.7M	
Glass Border(mm)	2.828/7.24/2.7/5.66	U/D/L/R	IF	RGB	
Panel Thickness	1.0mm		Driver IC	HX8264+HX8664	
Display Mode	Transmissive Normally White				

6.99" 1280RGB*800 Spec (符合车规)



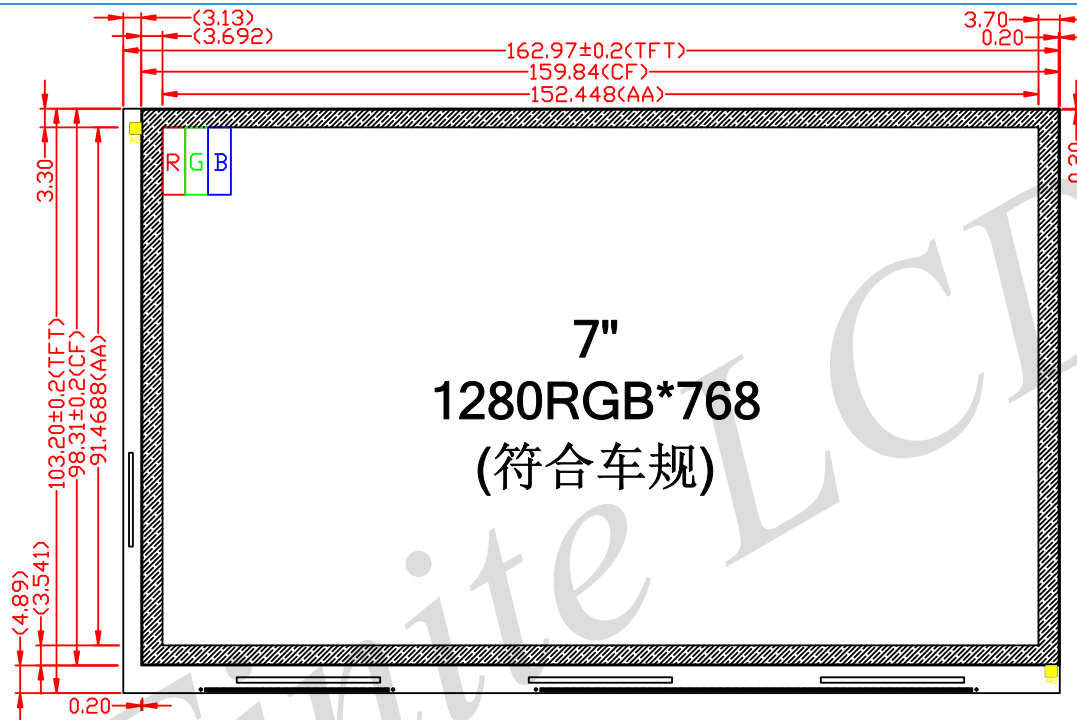
Description	Spec	Remark	Description	Spec	Remark
LCD Type	α-Si TFT		Viewing Direction	Free View	O'Clock
Active Screen size(inch)	6.99" diagonal	inch	Contrast Ratio	900:1	
Resolution	1280(H) x (RGB) x800(V)	pixels	NTSC	68.5%	
Active Area(mm)	150.528(W) x94.080 (H)	mm	Transmittance	3.6%	
Outline Dimension(mm)	159.53(W) x104.78 (H) x1.0(T)		Display Color		
Glass Border(mm)	3/7.7/3/3	U/D/L/R	IF		
Panel Thickness	1.0	mm	Driver IC	HX8290*2+HX8695*1	
Display Mode	Transmissive , Normally Black				

7.0" 800RGB*480 Spec (符合车规)



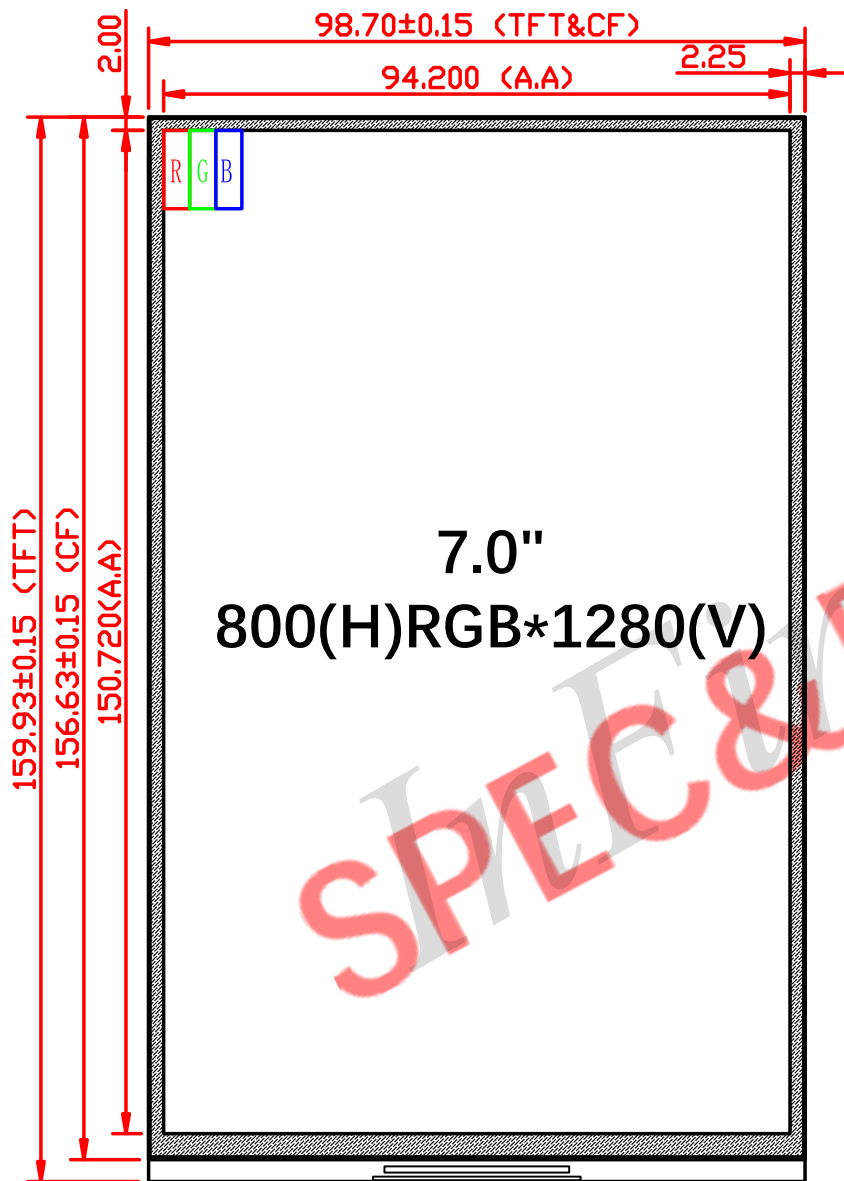
Description	Spec	Remark	Description	Spec	Remark
LCD Type	α-Si TFT		Viewing Direction	Wide View Angle	O'Clock
Active Screen size(inch)	7.0" diagonal	inch	Contrast Ratio	800	
Resolution	800(H) * (RGB) * 480(V)	Pixels	NTSC	71.7%	
Active Area(mm)	152.400(W) * 91.440 (H)	mm	Transmittance	4.3%	
Outline Dimension(mm)	161.40(W) * 100.90(H) * 1.0(T)	mm	Display Color		
Glass Border(mm)		U/D/L/R	IF		
Panel Thickness	1.0mm	mm	Driver IC	HX8290+HX8664	
Display Mode	Transmissive Normally Black		Sample		

7.0" 1280RGB*768 Spec (符合车规)



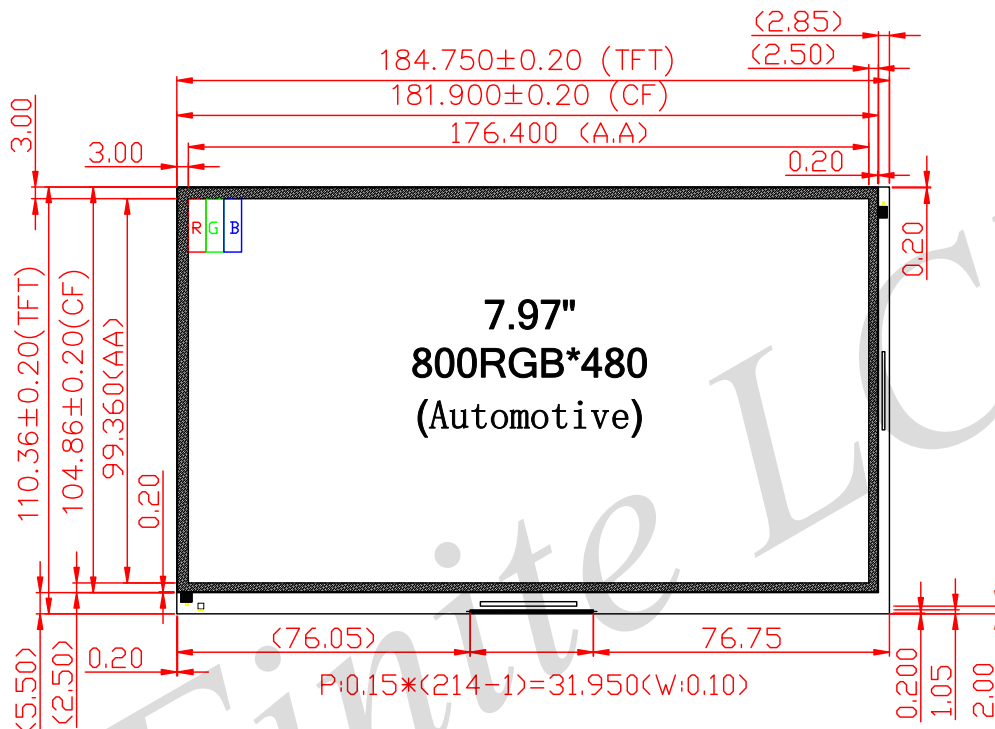
Description	Spec	Remark	Description	Spec	Remark
LCD Type	α-Si TFT		Viewing Direction	Wide View Angle	O'Clock
Active Screen size(inch)	7.0" diagonal	inch	Contrast Ratio	900	
Resolution	1280(H) * (RGB) * 768 (V)	Pixels	NTSC	68%	
Active Area(mm)	152.448 (W) * 91.4688 (H)	mm	Transmittance	3.5%	
Outline Dimension(mm)	162.97(W) * 103.20 (H) * 1.0(T)	mm	Display Color		
Glass Border(mm)		U/D/L/R	IF		
Panel Thickness	1.0mm	mm	Driver IC	ST5821AD*3+ST5084AA*1	
Display Mode	Transmissive, Normally Black		Sample		

7" 800RGB*1280 Spec



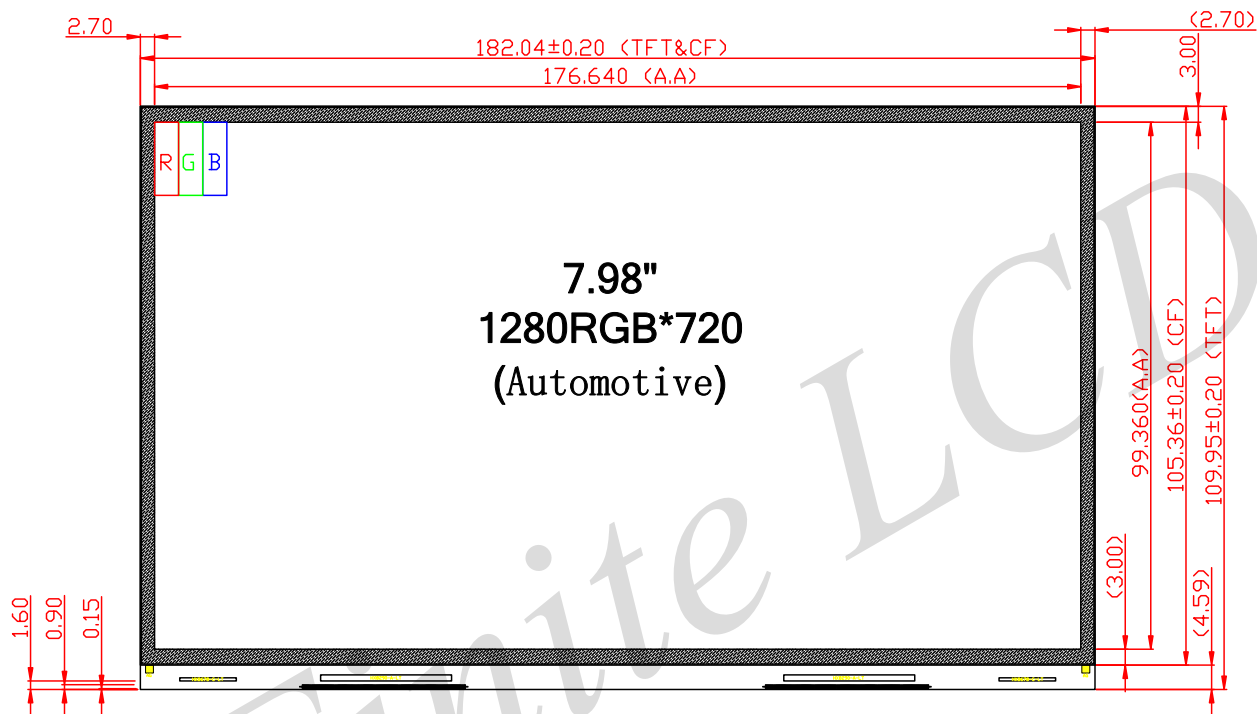
Description	Spec	Remark
LCD Type	α-Si TFT	
Active Screen size(inch)	7"	
Resolution	800(H)x(RGB)x1280(V)	
Active Area(mm)	94.2(W)x150.72(H)	
Outline Dimension(mm)	98.7(W)x159.93(H)	
Glass Border(mm)	2.0/7.21/2.25/2.25	U/D/L/R
Panel Thickness	0.8mm Typ	
Display Mode	Transmissive, Normally Black	
Viewing Direction	Free View	O'Clock
Contrast Ratio	900	
NTSC	60%	
Transmittance	4.24%	
Display Color	16.7M	
IF	MIPI	
Driver IC	RM72014/HX8394C/OTA7291 A	

7.97" 800RGB*480 Spec (Automotive)



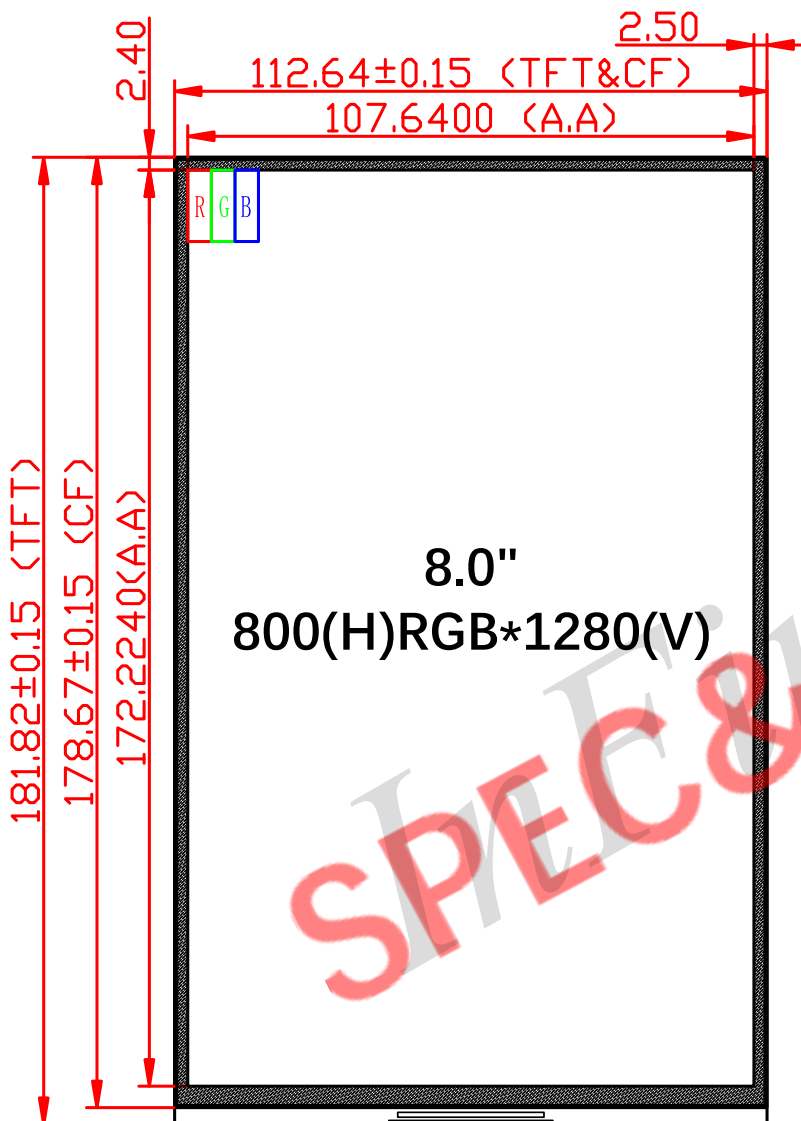
Description	Spec	Remark	Description	Spec	Remark
LCD Type	α-Si TFT		Viewing Direction	Free View	O'Clock
Active Screen size(inch)	7.97" diagonal	inch	Contrast Ratio	900:1	
Resolution	800(H) x (RGB) x480(V)	pixels	NTSC	72.5%	
Active Area(mm)	176.400(W) x 99.360(H)	mm	Transmittance	3.9%	
Outline Dimension(mm)	184.75(W) x110.36 (H) x1.0(T)	mm	Display Color		
Glass Border(mm)	3/8/3/5.35	U/D/L/R	IF		
Panel Thickness	1.0	mm	Driver IC	HX8290+HX8664	
Display Mode	Transmissive , Normally Black				

7.98" 1280RGB*720 Spec (Automotive)



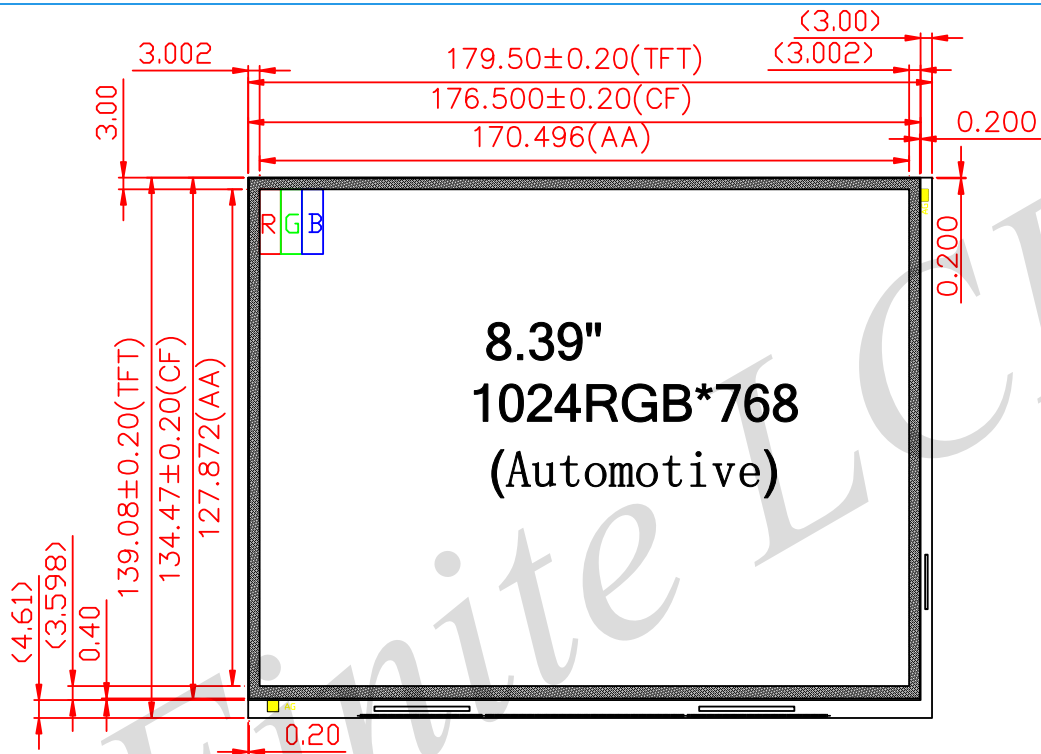
Description	Spec	Remark	Description	Spec	Remark
LCD Type	α-Si TFT		Viewing Direction	Free View	O'Clock
Active Screen size(inch)	7.98" diagonal	inch	Contrast Ratio	1000:1	
Resolution	1280(H) x (RGB) x720(V)	pixels	NTSC	68.3	
Active Area(mm)	176.640(W) x 99.360(H)	mm	Transmittance	3.7%	
Outline Dimension(mm)	182.04(W) x109.95(H) x0.5(T)	mm	Display Color		
Glass Border(mm)	3/7.59/2.7/2.7	U/D/L/R	IF		
Panel Thickness	1.0	mm	Driver IC	HX8290*2+HX8678*2	
Display Mode	Transmissive , Normally Black				

8" 800RGB*1280 Spec



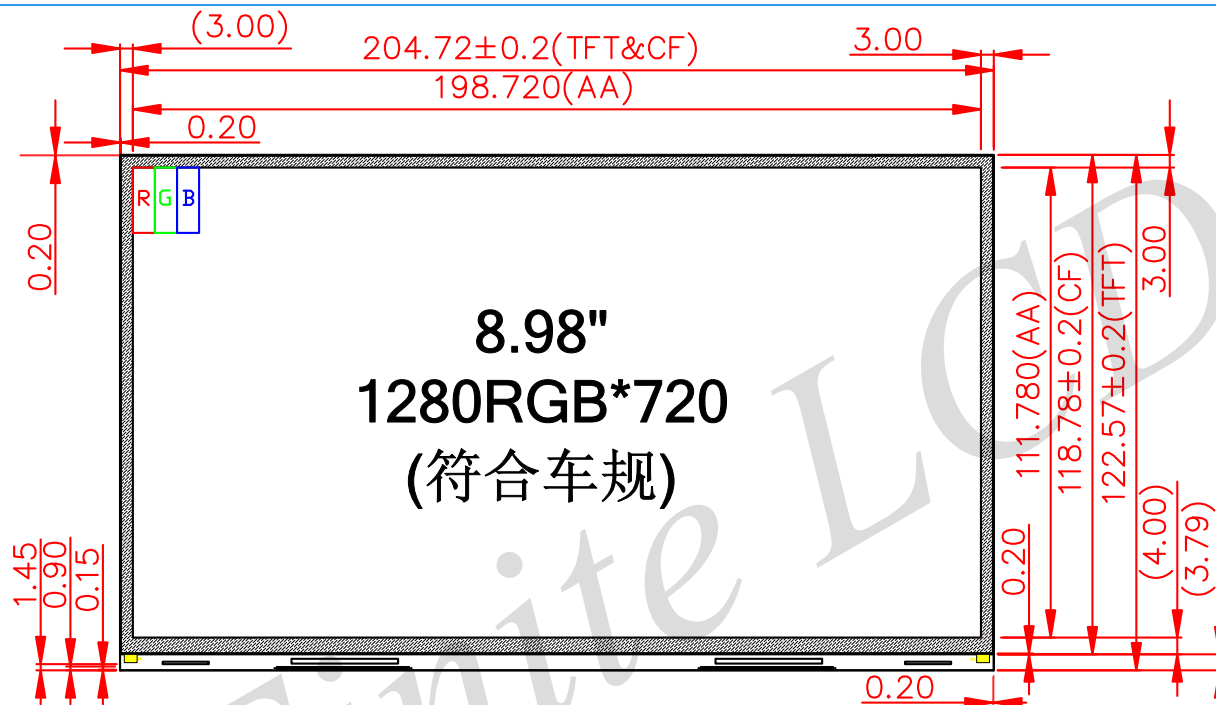
Description	Spec	Remark
LCD Type	α-Si TFT	
Active Screen size(inch)	8"	
Resolution	800(H)x(RGB)x1280(V)	
Active Area(mm)	107.64(W)x172.224(H)	
Outline Dimension(mm)	112.64(W)x181.82(H)	
Glass Border(mm)	2.4/7.2/2.5/2.5	U/D/L/R
Panel Thickness	0.9mm Typ	
Display Mode	Transmissive, Normally Black	
Viewing Direction	Free View	O'Clock
Contrast Ratio	900	
NTSC	58.6%	
Transmittance	4.4%	
Display Color	16.7M	
IF	MIPI	
Driver IC	JD9366	

8.4" 1024RGB*768 Spec (Automotive)



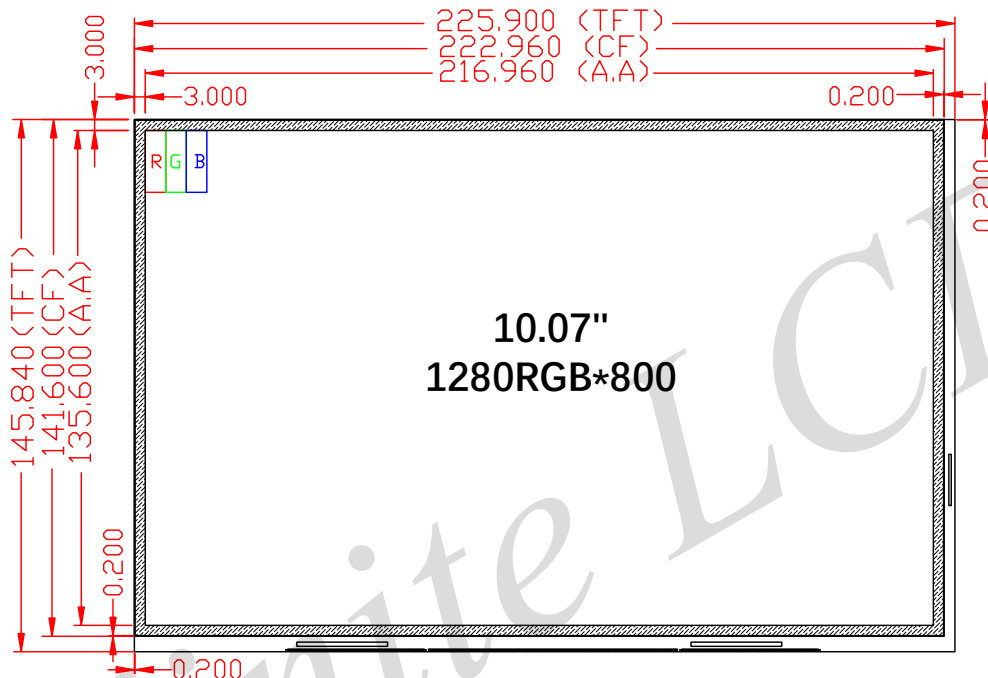
Description	Spec	Remark	Description	Spec	Remark
LCD Type	α-Si TFT		Viewing Direction	Wide View Angle	O'Clock
Active Screen size(inch)	8.39" diagonal	inch	Contrast Ratio	1000	
Resolution	1024(H) * (RGB) * 768(V)	Pixels	NTSC	67.4%	
Active Area(mm)	170.496(W) * 127.872 (H)	mm	Transmittance	4.4%	
Outline Dimension(mm)	179.50(W) * 139.08 (H) * 1.0(T)	mm	Display Color		
Glass Border(mm)	3/8.2/3/6.0	U/D/L/R	IF		
Panel Thickness	1.0mm	mm	Driver IC	HX8290*2+HX8695*1	
Display Mode	Transmissive Normally Black		Sample		

8.98" 1280RGB*720 Spec (符合车规)



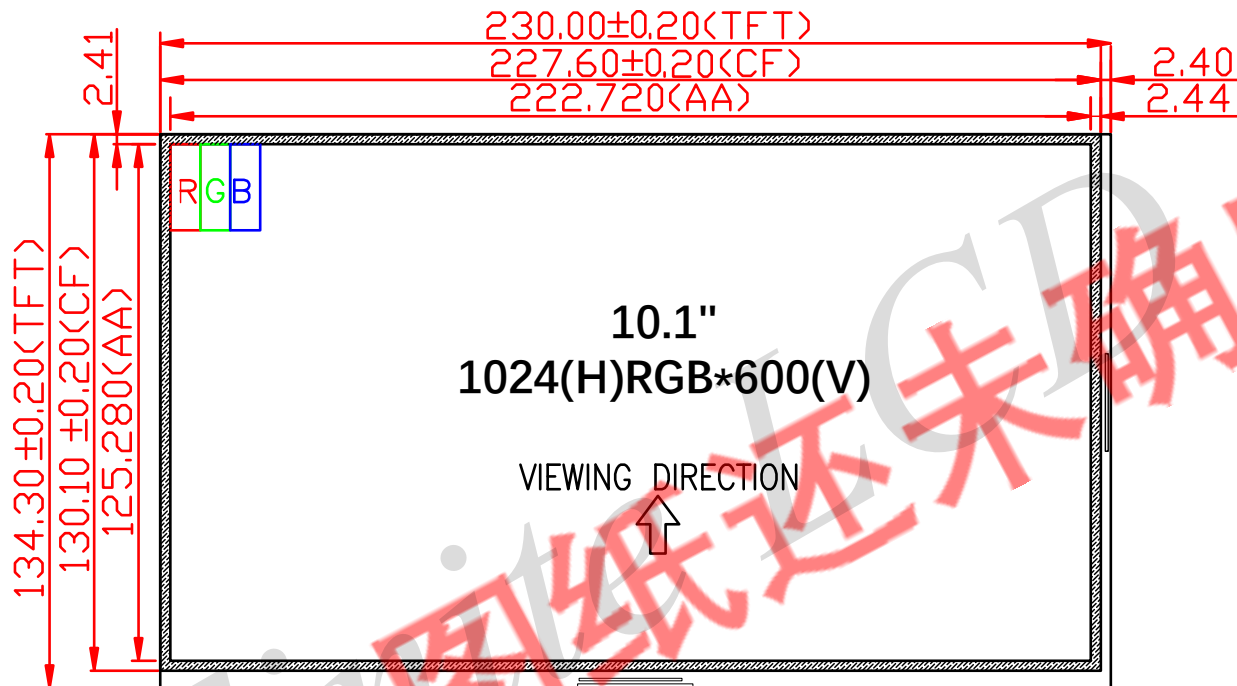
Description	Spec	Remark	Description	Spec	Remark
LCD Type	α-Si TFT		Viewing Direction	Wide View Angle	O'Clock
Active Screen size(inch)	8.98" diagonal	inch	Contrast Ratio	1000	
Resolution	1280(H) * (RGB) * 720 (V)	Pixels	NTSC	67.4%	
Active Area(mm)	111.780 (W) * 198.720 (H)	mm	Transmittance	3.9%	
Outline Dimension(mm)	122.570 (W) * 204.720 (H) * 1.0(T)	mm	Display Color		
Glass Border(mm)	3/7.79/3/3	U/D/L/R	IF		
Panel Thickness	1.0mm	mm	Driver IC	HX8290*2+HX8678*2	
Display Mode	Transmissive Normally Black		Sample		

10.07" 1280RGB*800 Spec



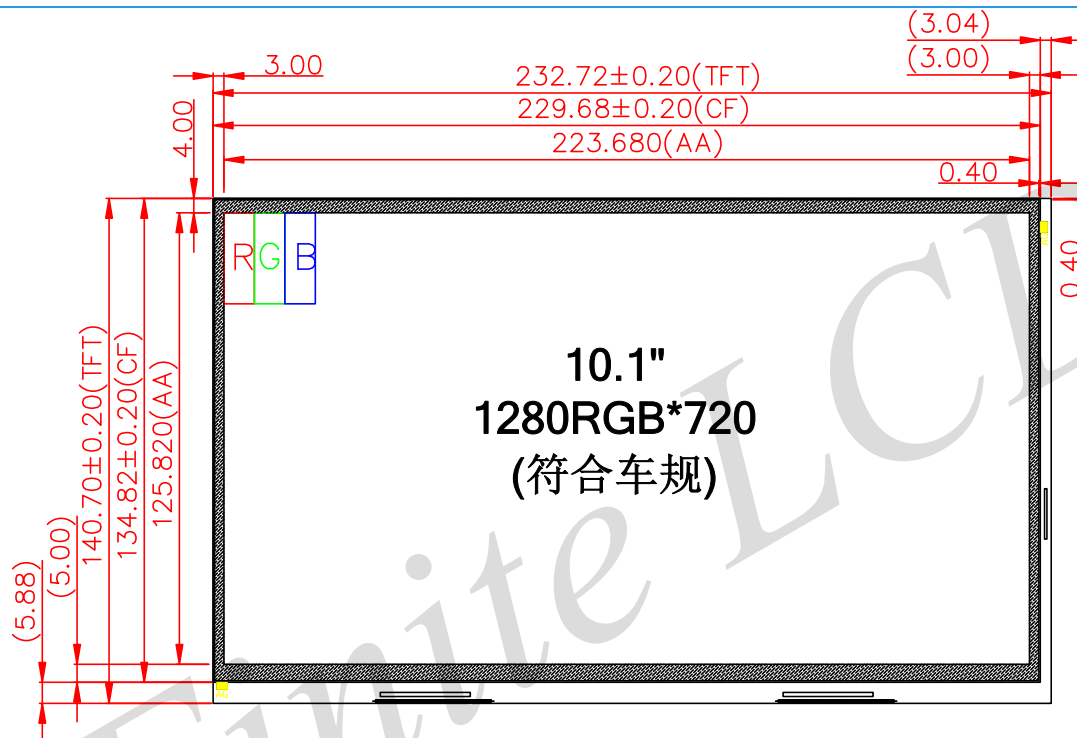
Description	Spec	Remark	Description	Spec	Remark
LCD Type	α-Si TFT		Viewing Direction	Free View	O'Clock
Active Screen size(inch)	10.07"		Contrast Ratio	800	
Resolution	1280(H)x(RGB)x800(V)		NTSC	44.8%	
Active Area(mm)	216.96(W)x135.60(H)		Transmittance	5.6%	
Outline Dimension(mm)	225.90(W)x145.84(H)		Display Color	16.7M	
Glass Border(mm)	3.0/7.24/3.0/5.94	U/D/L/R	IF	LVDS	
Panel Thickness	1.0mm		Driver IC		
Display Mode	Transmissive Normally Black				

10.1" 1024RGB*600 Spec



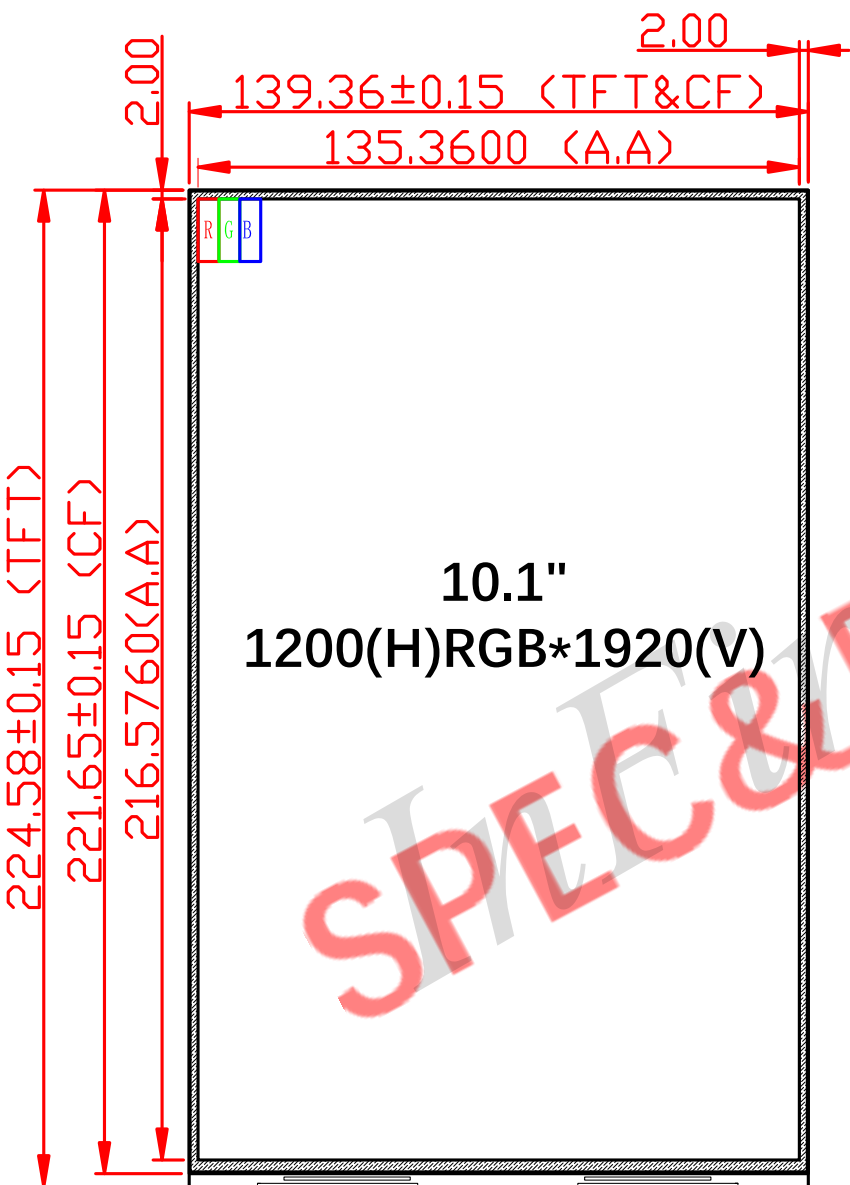
Description	Spec	Remark	Description	Spec	Remark
LCD Type	α -Si TFT		Viewing Direction	6:00	O'Clock
Active Screen size(inch)	10.1"		Contrast Ratio	600	
Resolution	1024(H)x(RGB)x600(V)		NTSC	50%	
Active Area(mm)	222.72(W)x125.28(H)		Transmittance	5.7%	
Outline Dimension(mm)	230.0(W)x134.3(H)		Display Color	16.7M	
Glass Border(mm)	2.41/6.61/2.44/4.84	U/D/L/R	IF	LVDS/MIPI	
Panel Thickness	1.0mm Typ		Driver IC		
Display Mode	Transmissive Normally White				

10.1" 1280RGB*720 Spec (符合车规)



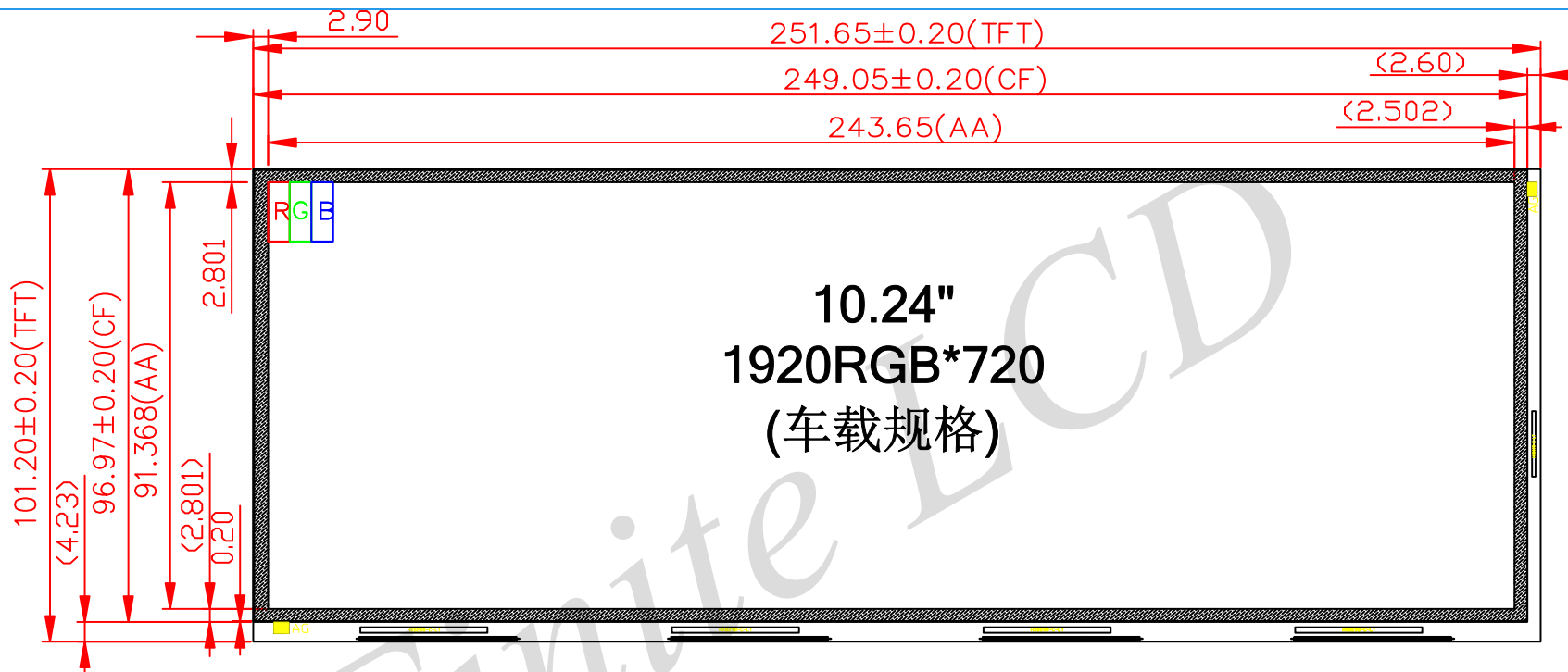
Description	Spec	Remark	Description	Spec	Remark
LCD Type	α-Si TFT		Viewing Direction	Wide View Angle	O'Clock
Active Screen size(inch)	10.1" diagonal	inch	Contrast Ratio	1000	
Resolution	1280(H) * (RGB) * 720 (V)	Pixels	NTSC	70.2%	
Active Area(mm)	223.680(W) * 125.820 (H)	mm	Transmittance	4.0%	
Outline Dimension(mm)	232.72(W) *140.70 (H) *1.0(T)	mm	Display Color		
Glass Border(mm)	4/10.88/3/6.04	U/D/L/R	IF		
Panel Thickness	1.0mm	mm	Driver IC		
Display Mode	Transmissive Normally Black		Sample		

10.1" 1200RGB*1920 Spec



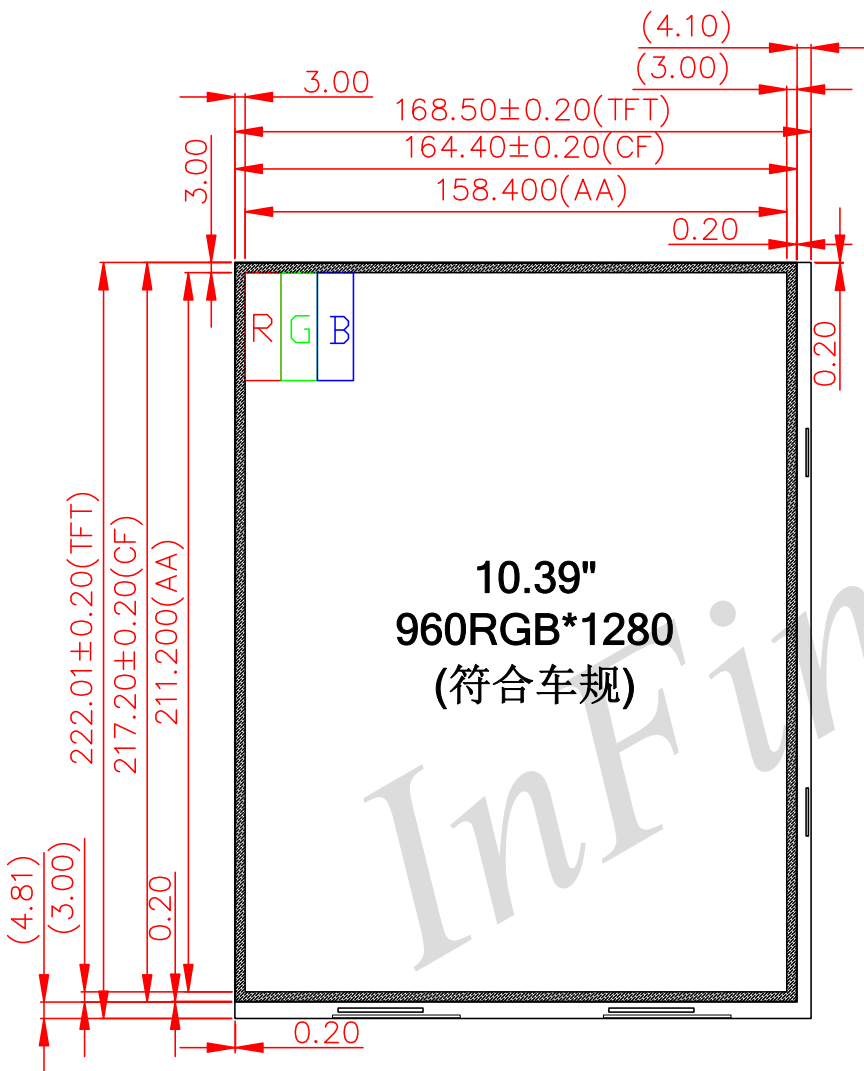
Description	Spec	Remark
LCD Type	α -Si TFT	
Active Screen size(inch)	10.1"	
Resolution	1200(H)x(RGB)x1920(V)	
Active Area(mm)	135.36(W)x216.576(H)	
Outline Dimension(mm)	139.36(W)x224.58(H)	
Glass Border(mm)	2.0/6.0/2.0/2.0	U/D/L/R
Panel Thickness	0.4mm or 1.0mm Typ	
Display Mode	Transmissive, Normally Black	
Viewing Direction	Free View	O'Clock
Contrast Ratio	1000	
NTSC	67%	
Transmittance	3.3%	
Display Color	16.7M	
IF	MIPI	
Driver IC		

10.24" 1920RGB*720 Spec (符合车规)



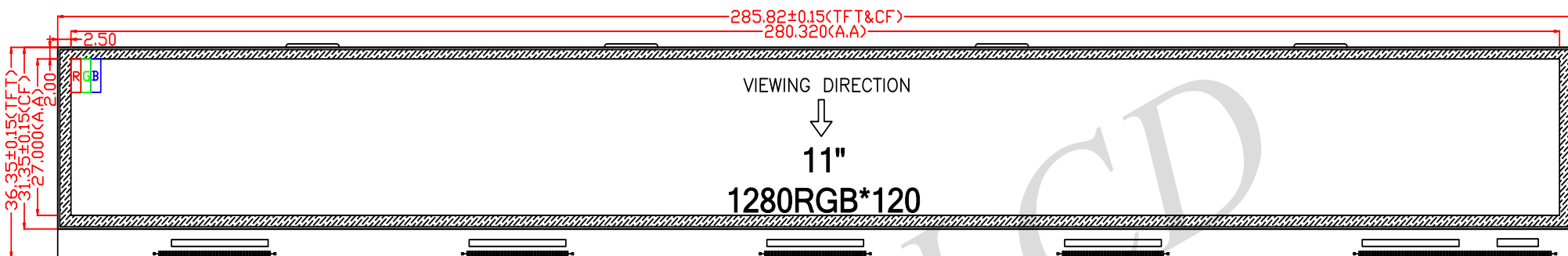
Description	Spec	Remark	Description	Spec	Remark
LCD Type	α -Si TFT		Viewing Direction	Free View	O'Clock
Active Screen size(inch)	10.24" diagonal	inch	Contrast Ratio	900:1	
Resolution	1920(H) x (RGB) x720(V)	pixels	NTSC	73.0%	
Active Area(mm)	243.648(W) x 91.368 (H)	mm	Transmittance	3.2%	
Outline Dimension(mm)	251.65*101.2	mm	Display Color		
Glass Border(mm)	2.8/7.03/2.9/5.1	U/D/L/R	IF		
Panel Thickness	1.0	mm	Driver IC		
Display Mode	Transmissive , Normally Black				

10.39" 960RGB*1280 Spec (符合车规)



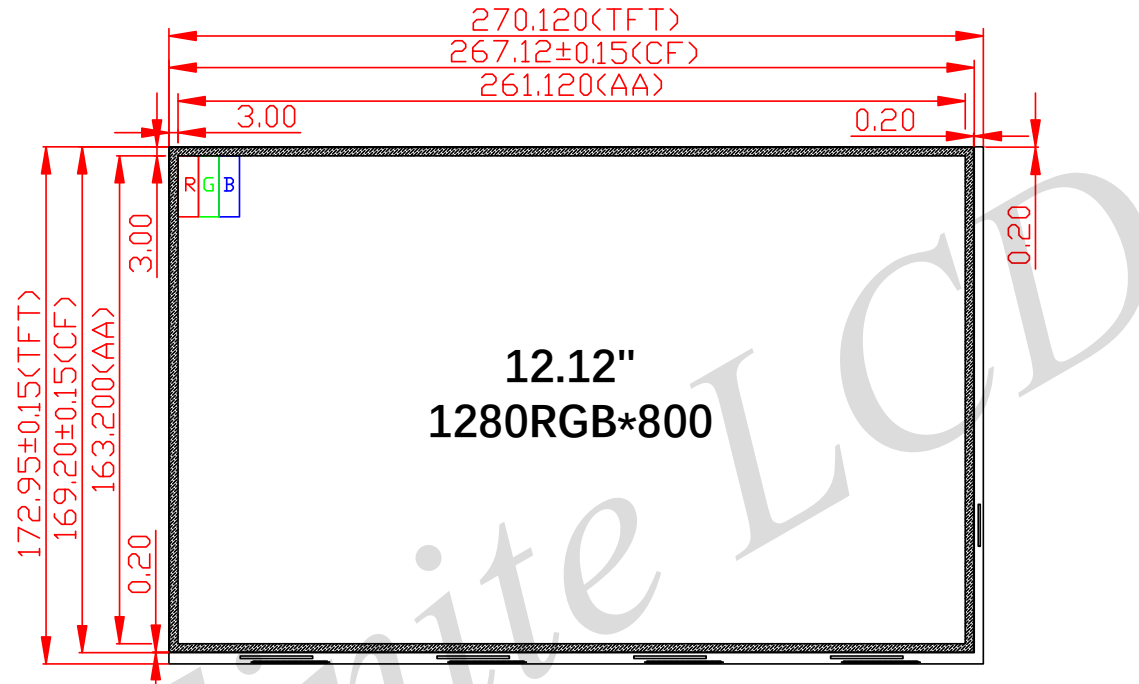
Description	Spec	Remark
LCD Type	α -Si TFT	
Active Screen size(inch)	10.4" diagonal	inch
Resolution	960(H) X(RGB) X1280(V)	pixels
Active Area(mm)	158.400(W) X211.200(H)	mm
Outline Dimension(mm)	168.50(W) X222.01(H) X1.0(T)	mm
Glass Border(mm)	3/7.81/3/7.1	U/D/L/R
Panel Thickness	1.0mm	
Display Mode	Transmissive , Normally Black	
Viewing Direction	Wide View Angle	O'Clock
Contrast Ratio	1000	
NTSC	70.3%	
Transmittance	4.0%	
Display Color		
IF		
Driver IC		
Sample		

11" 1280RGB*120 Spec



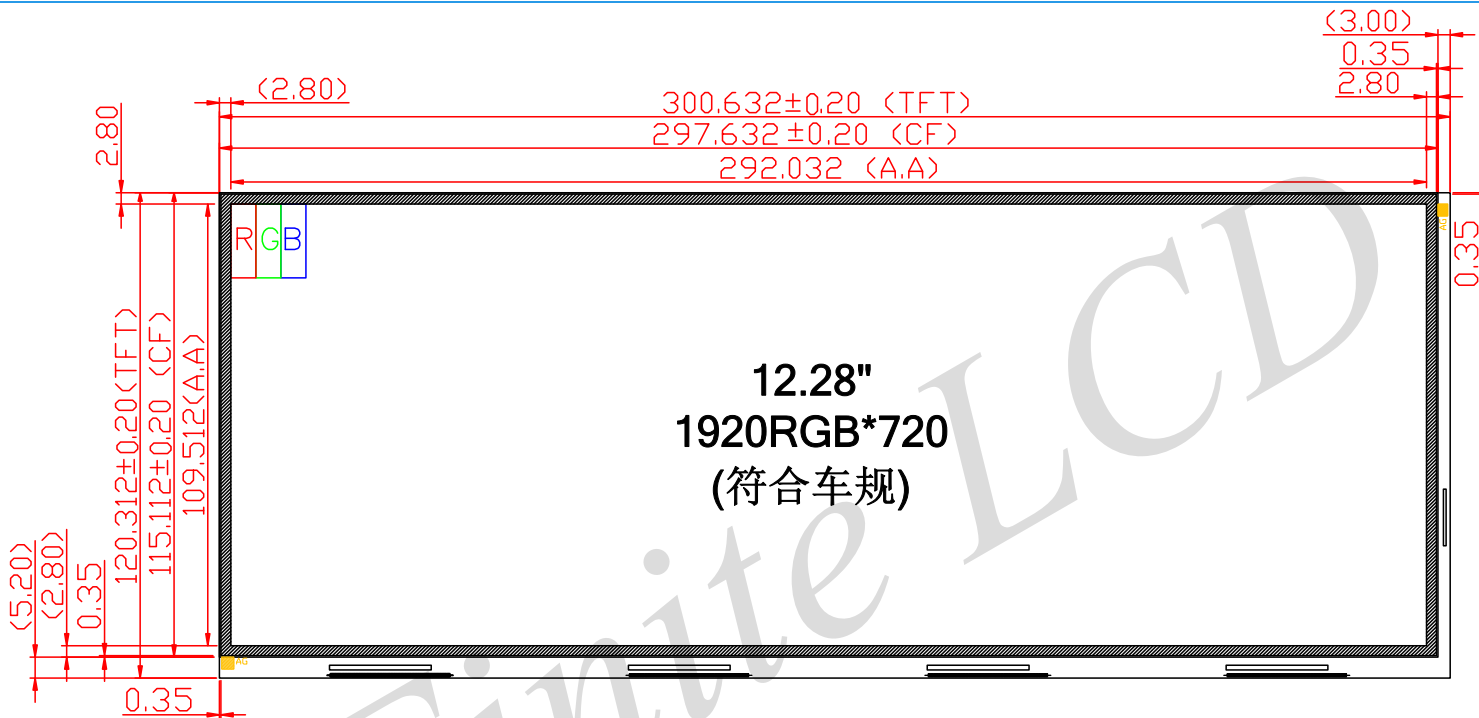
Description	Spec	Remark	Description	Spec	Remark
LCD Type	α -Si TFT		Viewing Direction	12:00	O'Clock
Active Screen size(inch)	11" diagonal		Contrast Ratio	400	
Resolution	1280(H) x(RGB) x120(V)		NTSC	50%	
Active Area(mm)	280.320(W) x 27.000(H)		Transmittance	6.2%	
Outline Dimension(mm)	285.82(W) x36.35(H)		Display Color	262K	
Glass Border(mm)	2.0/7.35/2.5/3.0	U/D/L/R	IF	RGB	
Panel Thickness	1.0mm	mm	Driver IC		
Display Mode	Transmissive				

12.12" 1280RGB*800 Spec



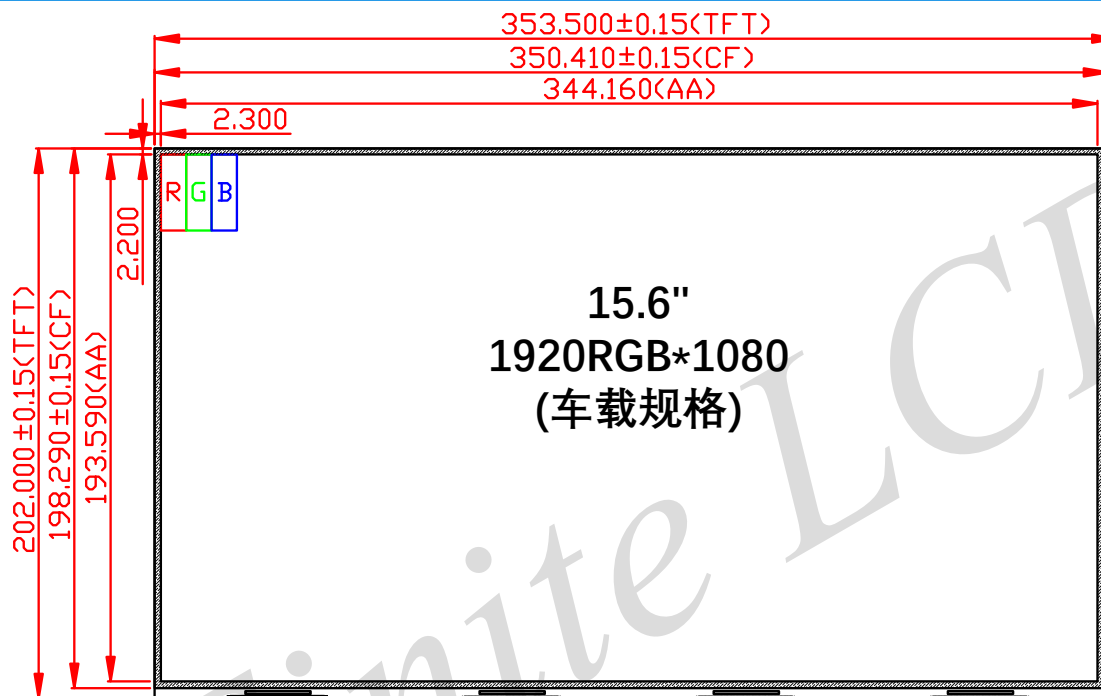
Description	Spec	Remark	Description	Spec	Remark
LCD Type	α-Si TFT		Viewing Direction	Free View	O'Clock
Active Screen size(inch)	12.12"		Contrast Ratio	800	
Resolution	1280(H)x(RGB)x800(V)		NTSC	44%	
Active Area(mm)	261.12(W)x163.20(H)		Transmittance	6.0%	
Outline Dimension(mm)	270.12(W)x172.95(H)		Display Color	262K	
Glass Border(mm)	3.0/6.75/3.0/6.0	U/D/L/R	IF	LVDS	
Panel Thickness	1.0mm		Driver IC		
Display Mode	Transmissive Normally Black				

12.3" 1920RGB*720 Spec (符合车规)



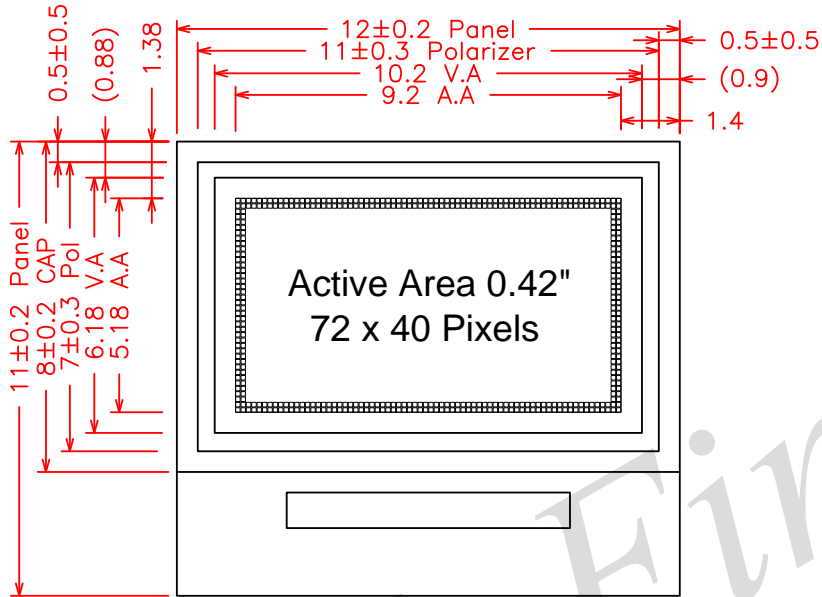
Description	Spec	Remark	Description	Spec	Remark
LCD Type	α-Si TFT		Viewing Direction	Wide View Angle	O'Clock
Active Screen size(inch)	12.28" diagonal	inch	Contrast Ratio	TBD	
Resolution	1920(H) * (RGB) * 720(V)	Pixels	NTSC	67.4%	
Active Area(mm)	292.032(W) * 109.512 (H)	mm	Transmittance	TBD	
Outline Dimension(mm)	300.632W) *120.312 (H) *1.0(T)	mm	Display Color		
Glass Border(mm)	2.8/8.0/2.8/5.8	U/D/L/R	IF		
Panel Thickness	1.0mm	mm	Driver IC		
Display Mode	Transmissive, Normally Black		Sample		

15.6" 1920RGB*1080 Spec (符合车规)



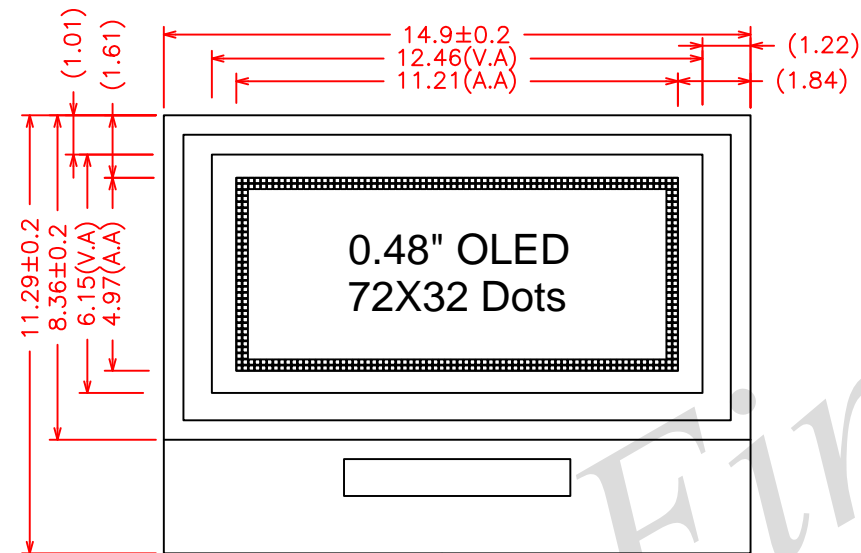
Description	Spec	Remark	Description	Spec	Remark
LCD Type	α -Si TFT		Viewing Direction	Free View	O'Clock
Active Screen size(inch)	15.55"		Contrast Ratio	1000:1	
Resolution	1920(H)x(RGB)x1080(V)		NTSC	67.4%	
Active Area(mm)	344.16(W)x193.59(H)		Transmittance	4.5%	
Outline Dimension(mm)	353.50(W)x202.00(H)		Display Color	16.7M	
Glass Border(mm)		U/D/L/R	IF	2-Port LVDS/EDP	
Panel Thickness	1.0	mm	Driver IC		
Display Mode	Transmissive Normally Black				

0.42" 72*40 Spec



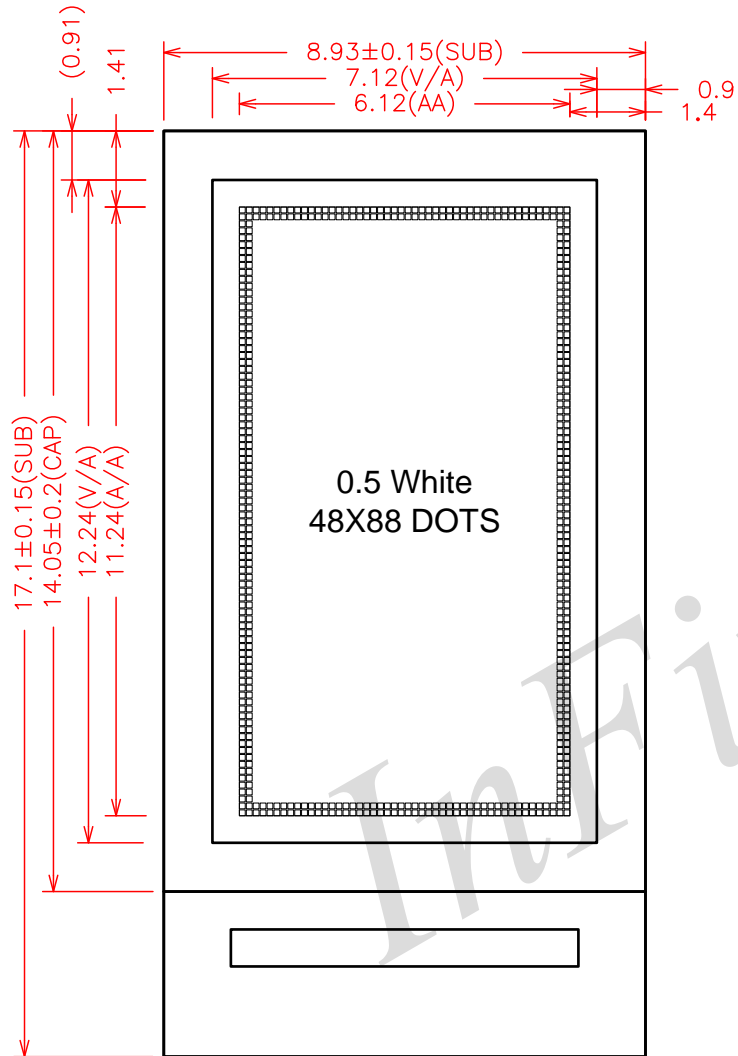
Description	Spec	Remark
OLED Type	PMOLED	
Active Screen size(inch)	0.42" diagonal	inch
Resolution	72(H) x40 (V)	pixels
Active Area(mm)	9.20(W) x 5.18(H)	mm
Outline Dimension(mm)	12.00(W) x11.00(H)	mm
Glass Border(mm)	1.375/4.445/1.402/1.402	U/D/L/R
Panel Thickness(mm)	1.25	With Polarizer
Driver IC	SSD1306BZ	
Interface	SPI/IIC	
Brightness(nits)	300	
Power Consumption(mW)	20	30% Pixel on
Display color	White	
Contrast Ratio	10000	Darkroom
Viewing Angle	160	
Lifetime(hrs)	6000	T50

0.48" 72*32 Spec



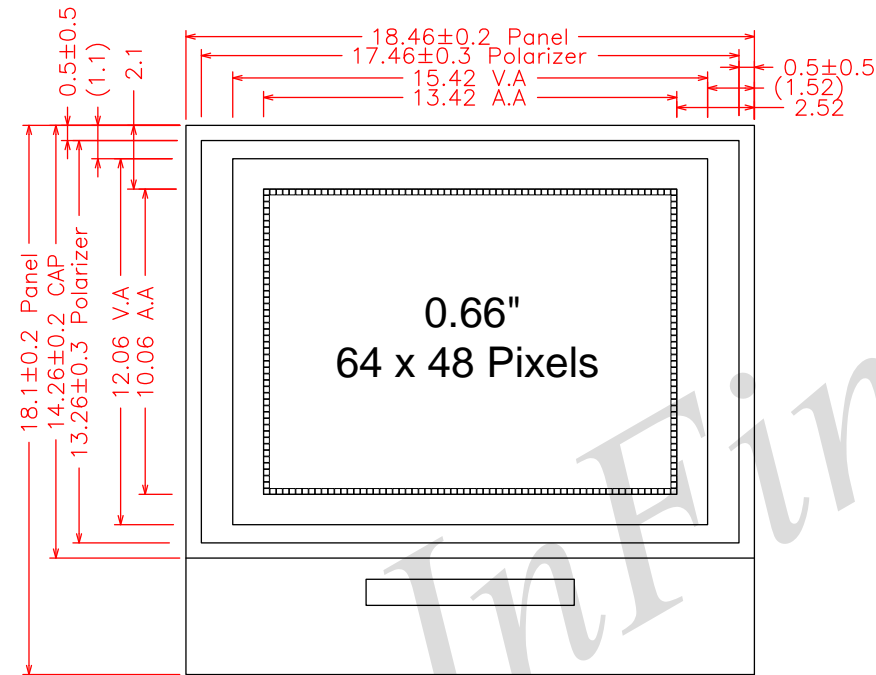
Description	Spec	Remark
OLED Type	PMOLED	
Active Screen size(inch)	0.48" diagonal	inch
Resolution	72(H) x32 (V)	pixels
Active Area(mm)	11.21(W) x 4.97(H)	mm
Outline Dimension(mm)	14.90(W) x11.29(H)	mm
Glass Border(mm)	1.61/4.708/1.844/1.844	U/D/L/R
Panel Thickness(mm)	1.2	With Polarizer
Driver IC	SSD1309Z	
Interface	4-SPI	
Brightness(nits)	250	
Power Consumption(mW)	15	30% Pixel on
Display color	White	
Contrast Ratio	10000	Darkroom
Viewing Angle	160	
Lifetime(hrs)	10000	T50

0.5" 48*88 Spec



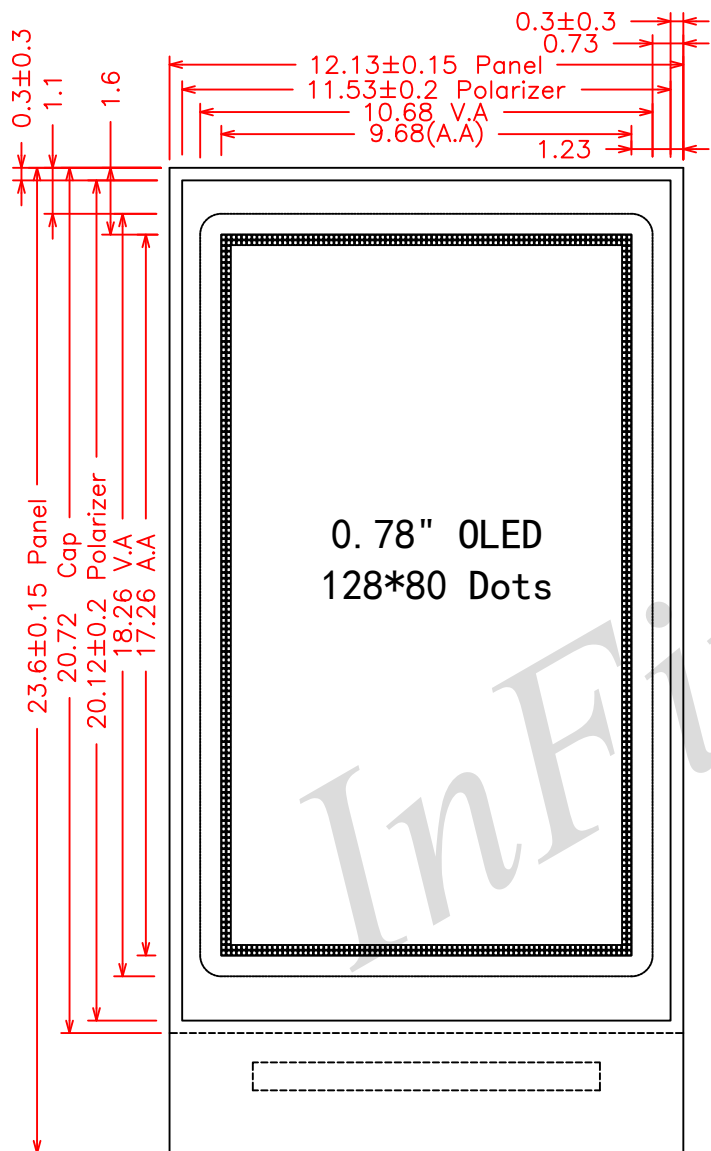
Description	Spec	Remark
OLED Type	PMOLED	
Active Screen size(inch)	0.5" diagonal	inch
Resolution	48(H) x88 (V)	pixels
Active Area(mm)	6.124(W) x 11.244(H)	mm
Outline Dimension(mm)	8.928(W) x17.100(H)	mm
Glass Border(mm)	1.406/4.45/1.402/1.402	U/D/L/R
Panel Thickness(mm)	1.00	Without Polarizer
Driver IC	CH1115G	
Interface	4-SPI	
Brightness(nits)	450	
Power Consumption(mW)	25	30% Pixel on
Display color	White	
Contrast Ratio	10000	Darkroom
Viewing Angle	160	
Lifetime(hrs)	9000	T50

0.66" 64*48 Spec



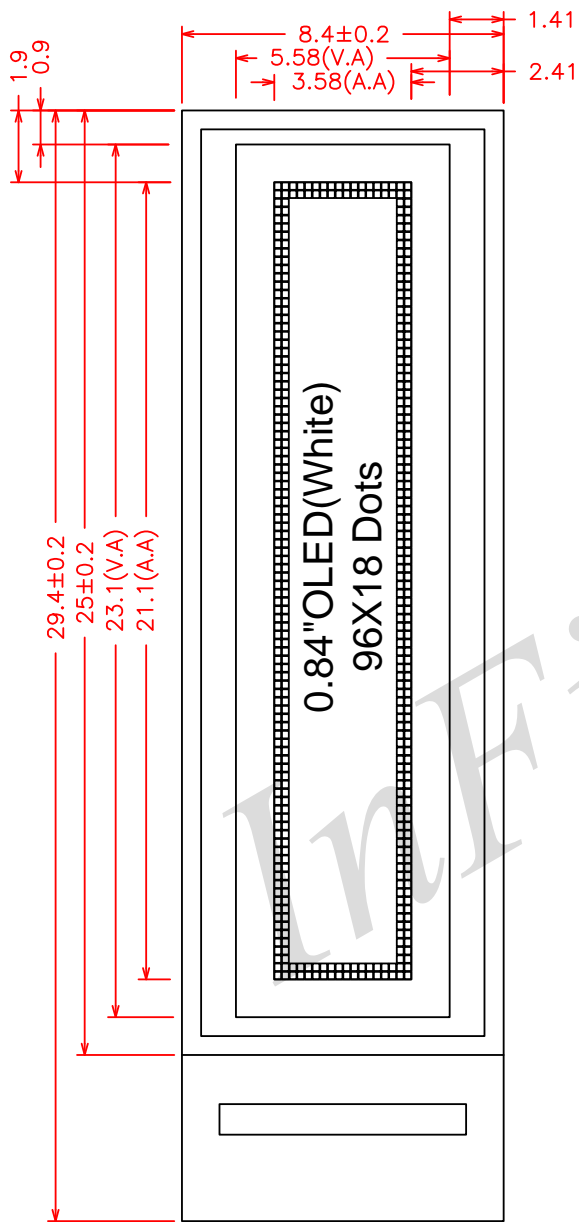
Description	Spec	Remark
OLED Type	PMOLED	
Active Screen size(inch)	0.66" diagonal	inch
Resolution	64(H) x48 (V)	pixels
Active Area(mm)	13.42(W) x 10.06(H)	mm
Outline Dimension(mm)	18.46(W) x18.10(H)	mm
Glass Border(mm)	2.1/5.94/2.52/2.52	U/D/L/R
Panel Thickness(mm)	1.25	With Polarizer
Driver IC	SSD1306BZ	
Interface	Parallel/Serial/IIC	
Brightness(nits)	120	
Power Consumption(mW)	20	30% Pixel on
Display color	White	
Contrast Ratio	10000	Darkroom
Viewing Angle	160	
Lifetime(hrs)	12000	T50

0.78" 128*80 Spec



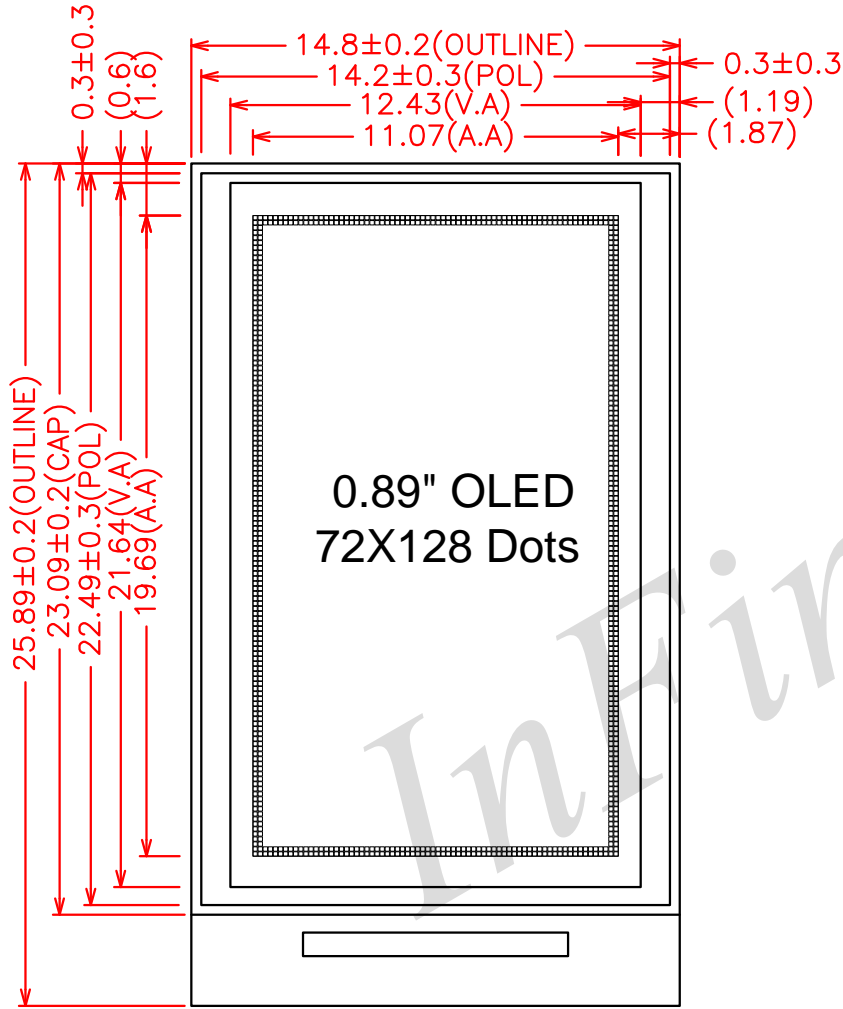
Description	Spec	Remark
OLED Type	PMOLED	
Active Screen size(inch)	0.78" diagonal	inch
Resolution	128(H) x80 (V)	pixels
Active Area(mm)	9.68(W) x 17.26(H)	mm
Outline Dimension(mm)	12.13(W) x23.6(H)	mm
Glass Border(mm)	1.6/4.74/1.225/1.225	U/D/L/R
Panel Thickness(mm)	1.28	With Polarizer
Driver IC	SH1107G	
Interface	4-SPI	
Brightness(nits)	430	
Power Consumption(mW)	260	All Pixel on
Display color	White	
Contrast Ratio	10000	Darkroom
Viewing Angle	160	
Lifetime(hrs)	4500	T50

0.84" 96*18 Spec



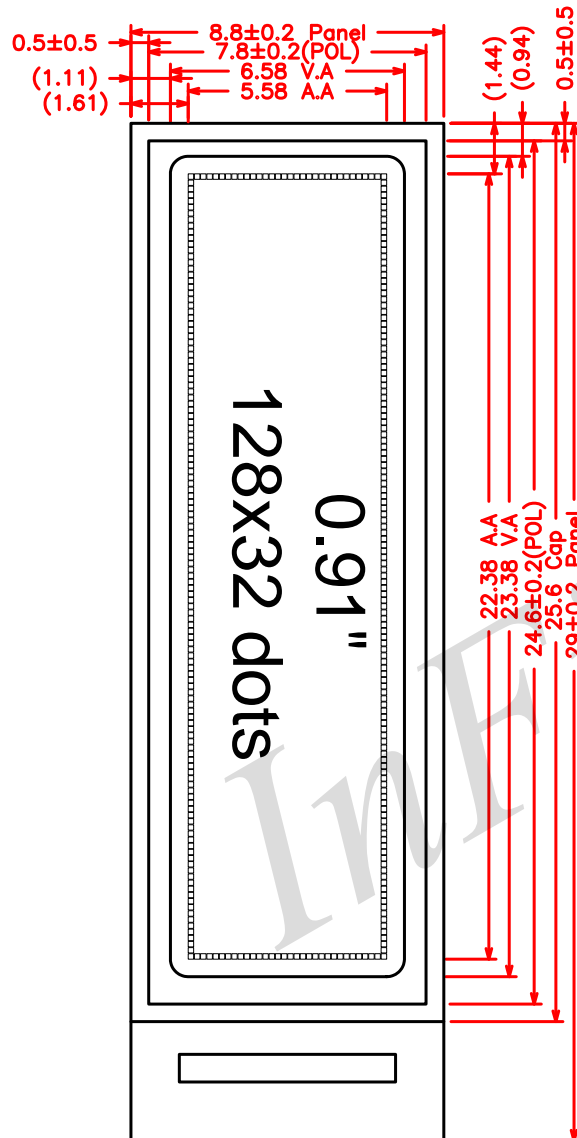
Description	Spec	Remark
OLED Type	PMOLED	
Active Screen size(inch)	0.84" diagonal	inch
Resolution	96(H) x18 (V)	pixels
Active Area(mm)	21.1(W) x 3.58(H)	mm
Outline Dimension(mm)	29.4(W) x8.4(H)	mm
Glass Border(mm)	1.9/6.4/2.41/2.41	U/D/L/R
Panel Thickness(mm)	1.61	With Polarizer
Driver IC	SSD1307Z	
Interface	SPI/IIC	
Brightness(nits)	220	
Power Consumption(mW)	70	100% Pixel on
Display color	White	
Contrast Ratio	10000	Darkroom
Viewing Angle	160	
Lifetime(hrs)	13000	T50

0.89" 72*128 Spec



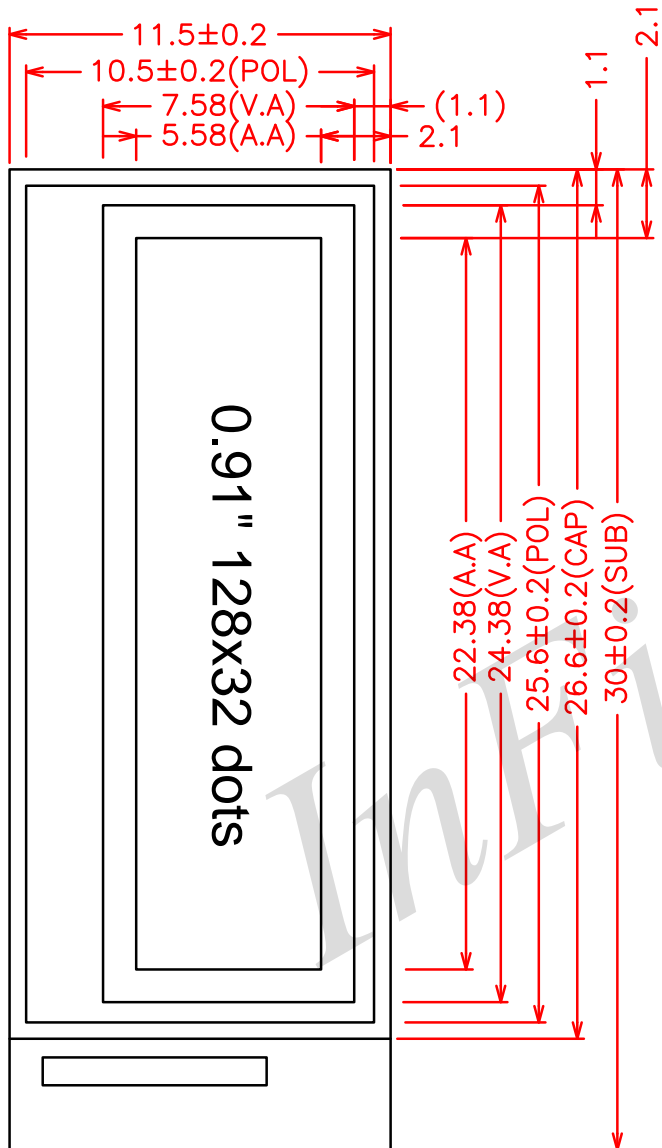
Description	Spec	Remark
OLED Type	PMOLED	
Active Screen size(inch)	0.89" diagonal	inch
Resolution	72(H) x128 (V)	pixels
Active Area(mm)	11.07(W) x 19.69(H)	mm
Outline Dimension(mm)	14.80(W) x25.89(H)	mm
Glass Border(mm)	1.6/4.598/1.866/1.866	U/D/L/R
Panel Thickness(mm)	1.45	With Polarizer
Driver IC	SSD1317Z	
Interface	SPI	
Brightness(nits)	600	
Power Consumption(mW)	700	100% Pixel on
Display color	White	
Contrast Ratio	10000	Darkroom
Viewing Angle	160	
Lifetime(hrs)	5000	T50

0.91" 128*32 Spec



Description	Spec	Remark
OLED Type	PMOLED	
Active Screen size(inch)	0.91" diagonal	inch
Resolution	128(H) x32 (V)	pixels
Active Area(mm)	22.38(W) x 5.58(H)	mm
Outline Dimension(mm)	29.00(W) x8.80(H)	mm
Glass Border(mm)	1.44/5.18/1.61/1.61	U/D/L/R
Panel Thickness(mm)	1.28	With Polarizer
Driver IC	SSD1316Z2	
Interface	4-SPI	
Brightness(nits)	210	
Power Consumption(mW)	40	30% Pixel on
Display color	White	
Contrast Ratio	10000	Darkroom
Viewing Angle	160	
Lifetime(hrs)	8000	T50

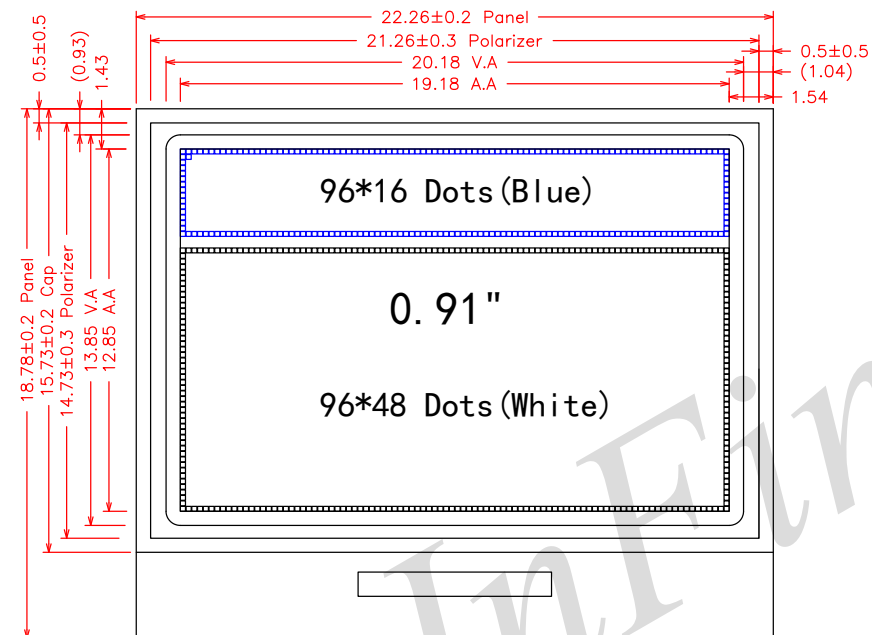
0.91" 128*32 Spec



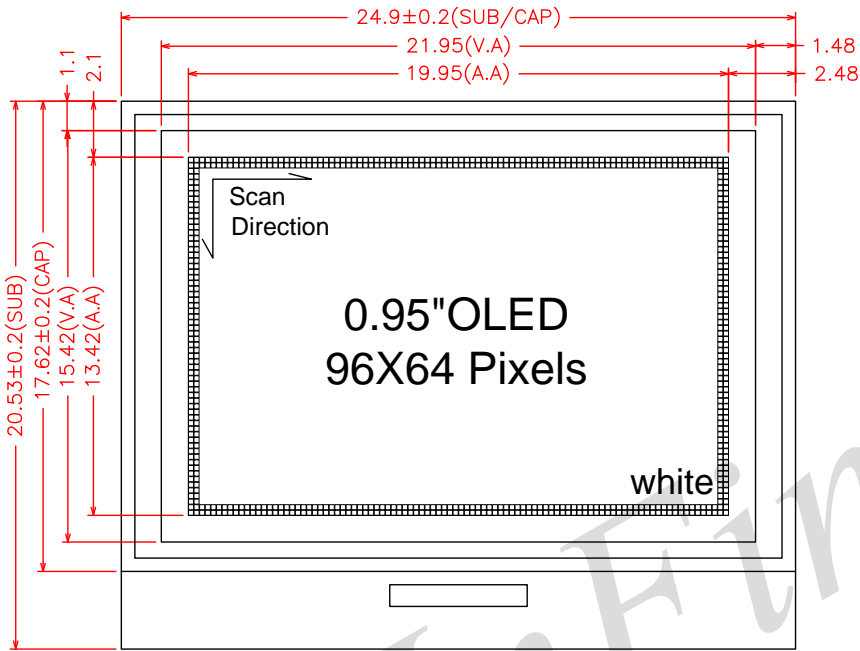
Description	Spec	Remark
OLED Type	PMOLED	
Active Screen size(inch)	0.91" diagonal	inch
Resolution	128(H) x32 (V)	pixels
Active Area(mm)	22.38(W) x 5.58(H)	mm
Outline Dimension(mm)	30.00(W) x11.50(H)	mm
Glass Border(mm)	2.1/5.52/3.82/2.1	U/D/L/R
Panel Thickness(mm)	1.2	With Polarizer
Driver IC	SSD1306BZ	
Interface	SPI	
Brightness(nits)	180	
Power Consumption(mW)	25	30% Pixel on
Display color	White	
Contrast Ratio	5000	Darkroom
Viewing Angle	160	
Lifetime(hrs)	10000	T50

0.91" 96*64 Spec

Description	Spec	Remark
OLED Type	PMOLED	
Active Screen size(inch)	0.91" diagonal	inch
Resolution	96(H) x64 (V)	pixels
Active Area(mm)	19.18(W) x 12.85(H)	mm
Outline Dimension(mm)	22.26(W) x18.78(H)	mm
Glass Border(mm)	1.425/4.505/1.54/1.54	U/D/L/R
Panel Thickness(mm)	1.28	With Polarizer
Driver IC	SSD1306BZ	
Interface	Serial/IIC	
Brightness(nits)	70(Blue)/90(Yellow)	
Power Consumption(mW)	50	30% Pixel on
Display color	Blue & White (Area color)	
Contrast Ratio	10000	Darkroom
Viewing Angle	160	
Lifetime(hrs)	36000	T50

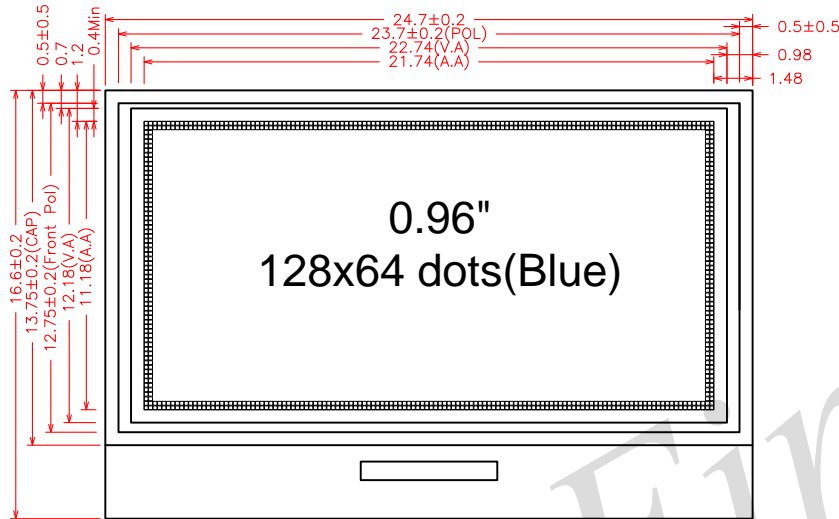


0.95" 96*64 Spec



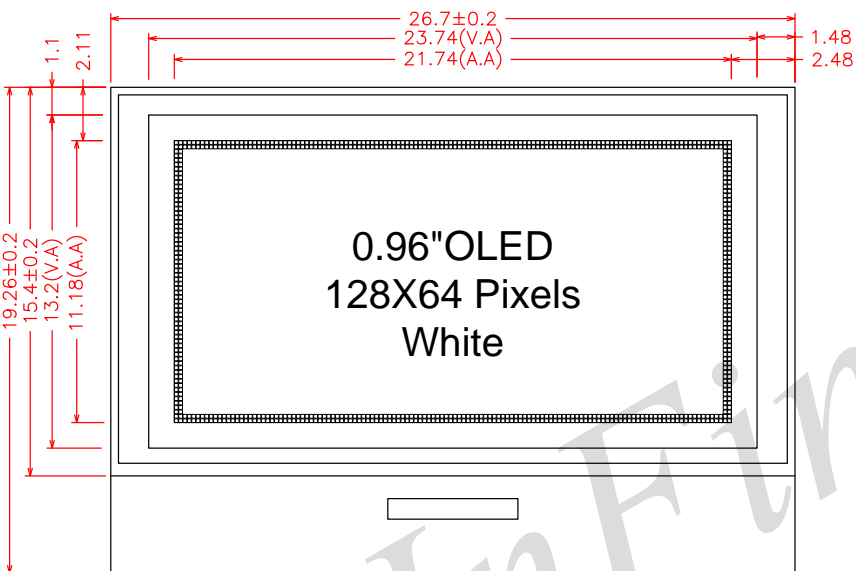
Description	Spec	Remark
OLED Type	PMOLED	
Active Screen size(inch)	0.95" diagonal	inch
Resolution	96(H) x64 (V)	pixels
Active Area(mm)	19.95(W) x 13.42(H)	mm
Outline Dimension(mm)	24.90(W) x20.53(H)	mm
Glass Border(mm)	2.1/5.01/2.476/2.476	U/D/L/R
Panel Thickness(mm)	1.45	With Polarizer
Driver IC	SH1106G	
Interface	Parallel/Serial/IIC	
Brightness(nits)	75	
Power Consumption(mW)	45	30% Pixel on
Display color	White	
Contrast Ratio	10000	Darkroom
Viewing Angle	160	
Lifetime(hrs)	15000	T50

0.96" 128*64 Spec



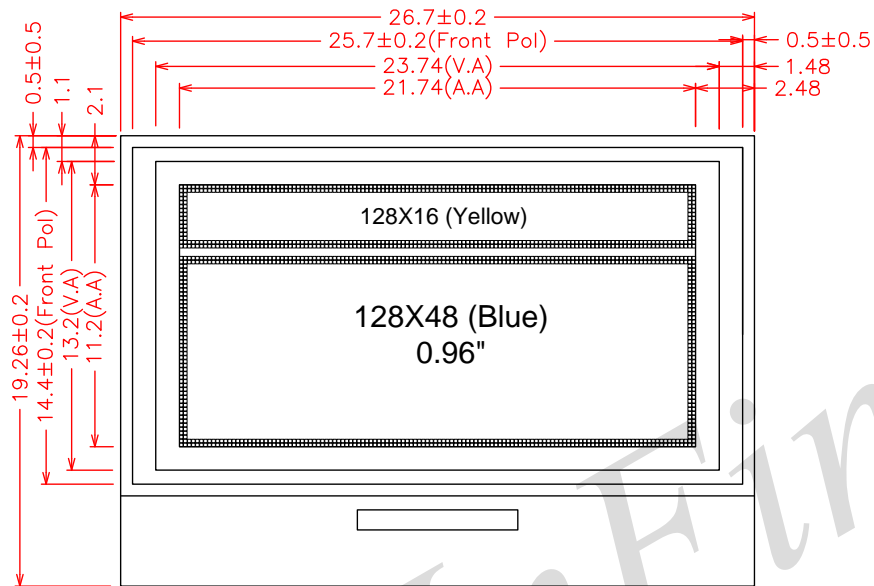
Description	Spec	Remark
OLED Type	PMOLED	
Active Screen size(inch)	0.96" diagonal	inch
Resolution	128(H) x64 (V)	pixels
Active Area(mm)	21.74(W) x 11.175(H)	mm
Outline Dimension(mm)	24.7(W) x16.6(H)	mm
Glass Border(mm)	1.2/4.22/1.48/1.48	U/D/L/R
Panel Thickness(mm)	1.3	With Polarizer
Driver IC	SSD1315Z	
Interface	4-SPI/IIC/8080	
Brightness(nits)	65	
Power Consumption(mW)	50	30% Pixel on
Display color	Blue	
Contrast Ratio	10000	Darkroom
Viewing Angle	160	
Lifetime(hrs)	22000	T50

0.96" 128*64 Spec



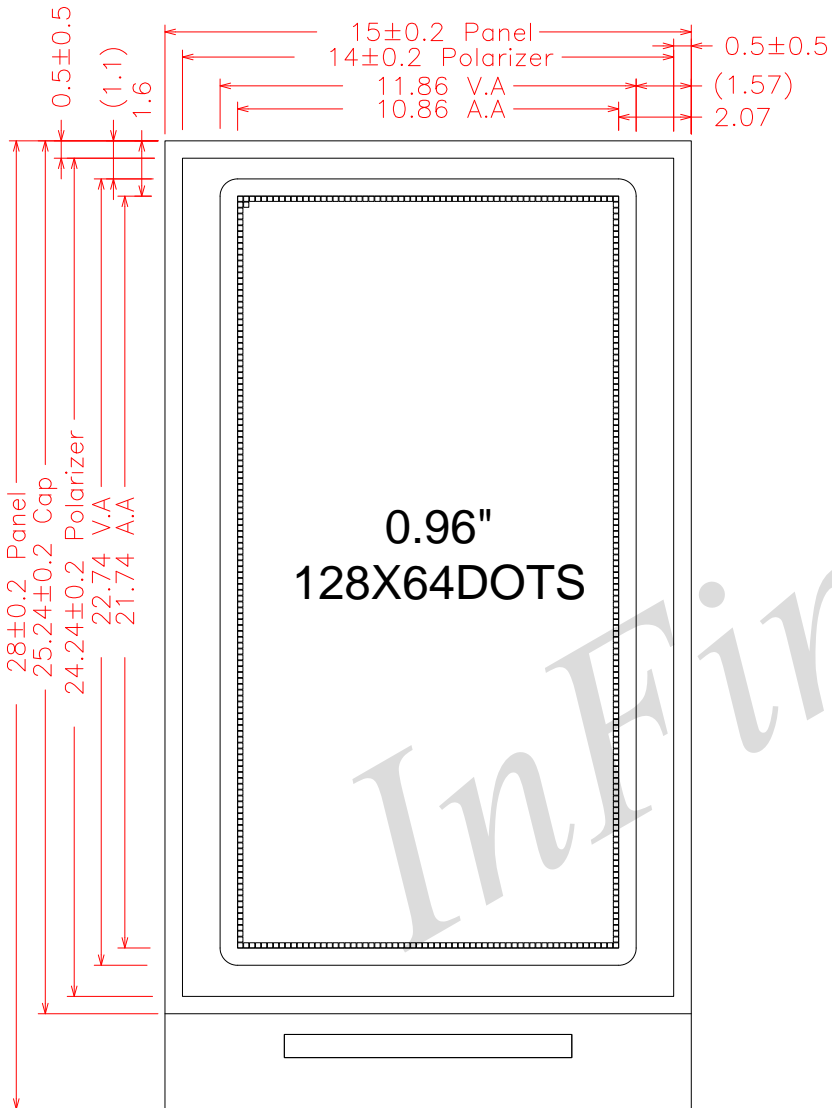
Description	Spec	Remark
OLED Type	PMOLED	
Active Screen size(inch)	0.96" diagonal	inch
Resolution	128(H) x64 (V)	pixels
Active Area(mm)	21.74(W) x 11.175(H)	mm
Outline Dimension(mm)	26.7(W) x19.26(H)	mm
Glass Border(mm)	2.113/5.973/2.48/2.48	U/D/L/R
Panel Thickness(mm)	0.95	With Polarizer
Driver IC	SH1106G	
Interface	Parallel/Serial/IIC	
Brightness(nits)	110	
Power Consumption(mW)	35	30% Pixel on
Display color	White	
Contrast Ratio	10000	Darkroom
Viewing Angle	160	
Lifetime(hrs)	13000	T50

0.96" 128*64 Spec



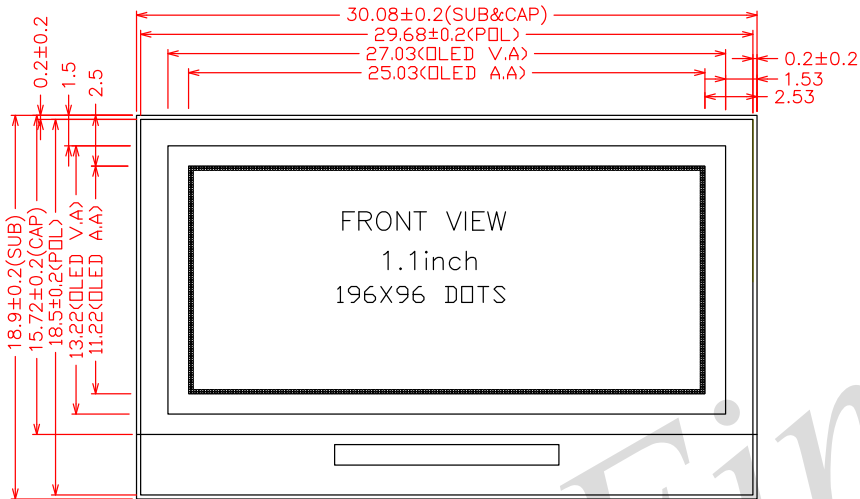
Description	Spec	Remark
OLED Type	PMOLED	
Active Screen size(inch)	0.96" diagonal	inch
Resolution	128(H) x64 (V)	pixels
Active Area(mm)	21.74(W) x 11.2(H)	mm
Outline Dimension(mm)	26.7(W) x19.26(H)	mm
Glass Border(mm)	2.098/5.962/2.48/2.48	U/D/L/R
Panel Thickness(mm)	1.45	With Polarizer
Driver IC	SSD1306BZ	
Interface	Parallel/Serial/IIC	
Brightness(nits)	110/190	
Power Consumption(mW)	40	30% Pixel on
Display color	Blue & Yellow (Area color)	
Contrast Ratio	10000	Darkroom
Viewing Angle	160	
Lifetime(hrs)	18000/23000	T50

0.96" 64*128 Spec



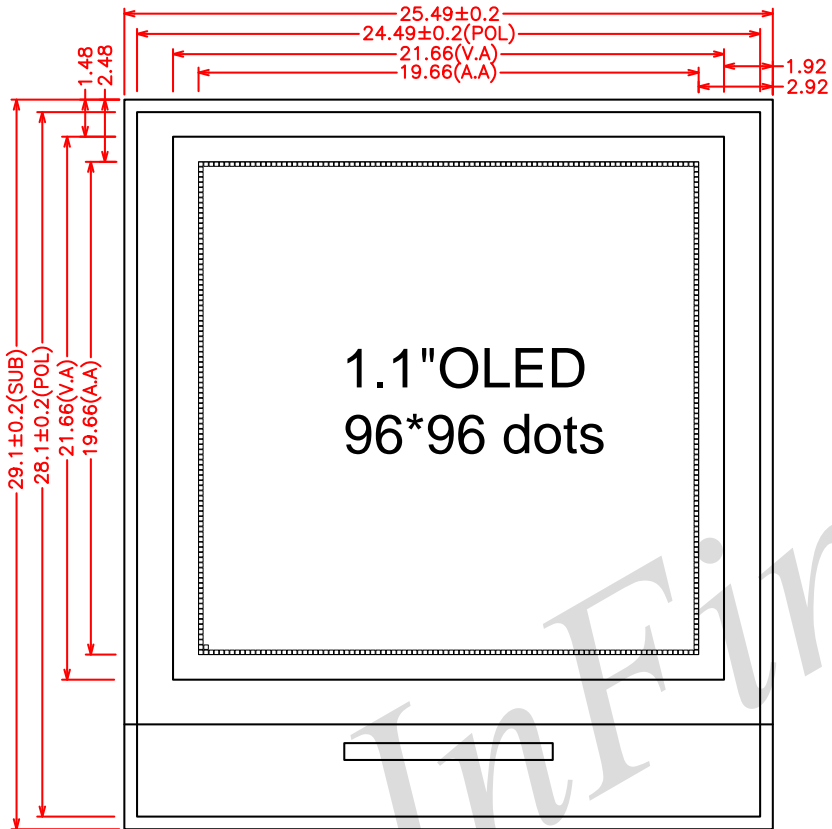
Description	Spec	Remark
OLED Type	PMOLED	
Active Screen size(inch)	0.96" diagonal	inch
Resolution	64(H) x128 (V)	pixels
Active Area(mm)	10.86(W) x 21.74(H)	mm
Outline Dimension(mm)	15.00(W) x28.00(H)	mm
Glass Border(mm)	1.6/4.66/2.07/2.07	U/D/L/R
Panel Thickness(mm)	1.25	With Polarizer
Driver IC	SH1107G	
Interface	Parallel/4-SPI/IIC	
Brightness(nits)	150	
Power Consumption(mW)	75	30% Pixel on
Display color	White	
Contrast Ratio	5000	Darkroom
Viewing Angle	160	
Lifetime(hrs)	12000	T50

1.1" 196*96 Spec



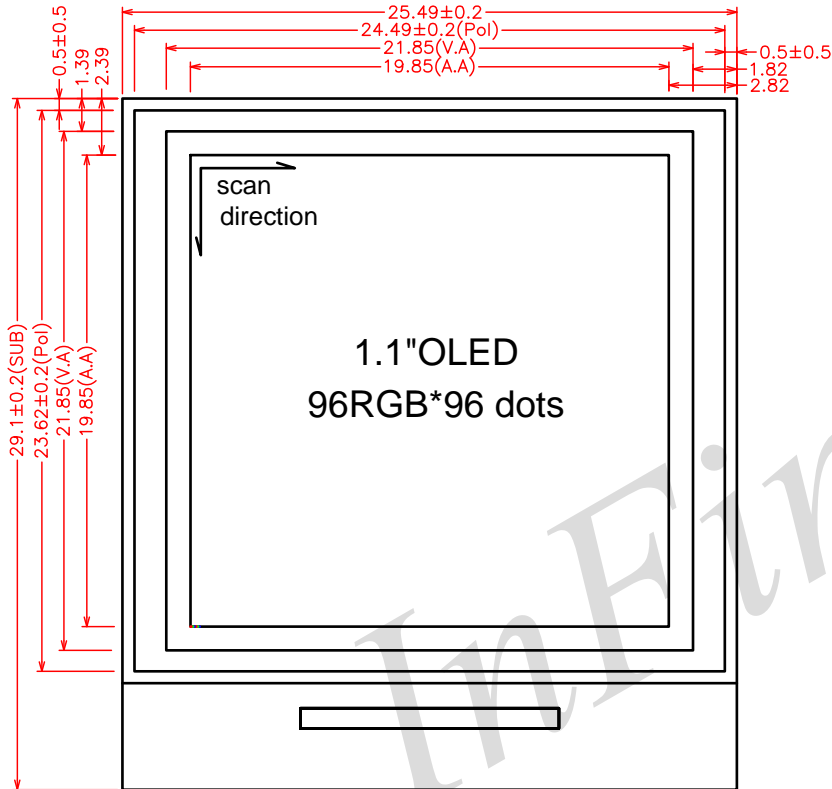
Description	Spec	Remark
OLED Type	PMOLED	
Active Screen size(inch)	1.1" diagonal	inch
Resolution	196(H) x96 (V)	pixels
Active Area(mm)	25.03(W) x 11.22(H)	mm
Outline Dimension(mm)	30.08(W) x18.90(H)	mm
Glass Border(mm)	2.5/5.182/2.525/2.525	U/D/L/R
Panel Thickness(mm)	1.2	With Polarizer
Driver IC	SSD1357	
Interface	4-SPI/IIC	
Brightness(nits)	145	
Power Consumption(mW)	100	30% Pixel on
Display color	White	
Contrast Ratio	10000	Darkroom
Viewing Angle	160	
Lifetime(hrs)	13000	T50

1.1" 96*96 Spec



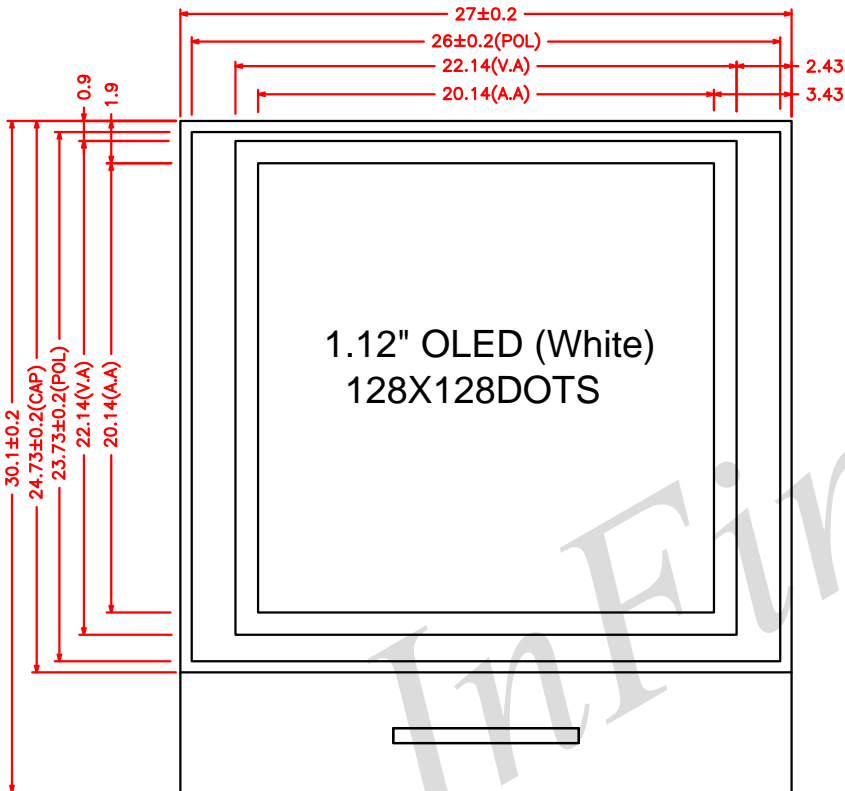
Description	Spec	Remark
OLED Type	PMOLED	
Active Screen size(inch)	1.1" diagonal	inch
Resolution	96(H) x96 (V)	pixels
Active Area(mm)	19.6555(W) x 19.655(H)	mm
Outline Dimension(mm)	25.49(W) x29.10(H)	mm
Glass Border(mm)	2.483/6.963/2.918/2.918	U/D/L/R
Panel Thickness(mm)	1.45	With Polarizer
Driver IC	SH1107G	
Interface	Parallel/SPI/IIC	
Brightness(nits)	100	
Power Consumption(mW)	120	30% Pixel on
Display color	White	
Contrast Ratio	10000	Darkroom
Viewing Angle	160	
Lifetime(hrs)	20000	T50

1.1" 96RGB*96 Spec



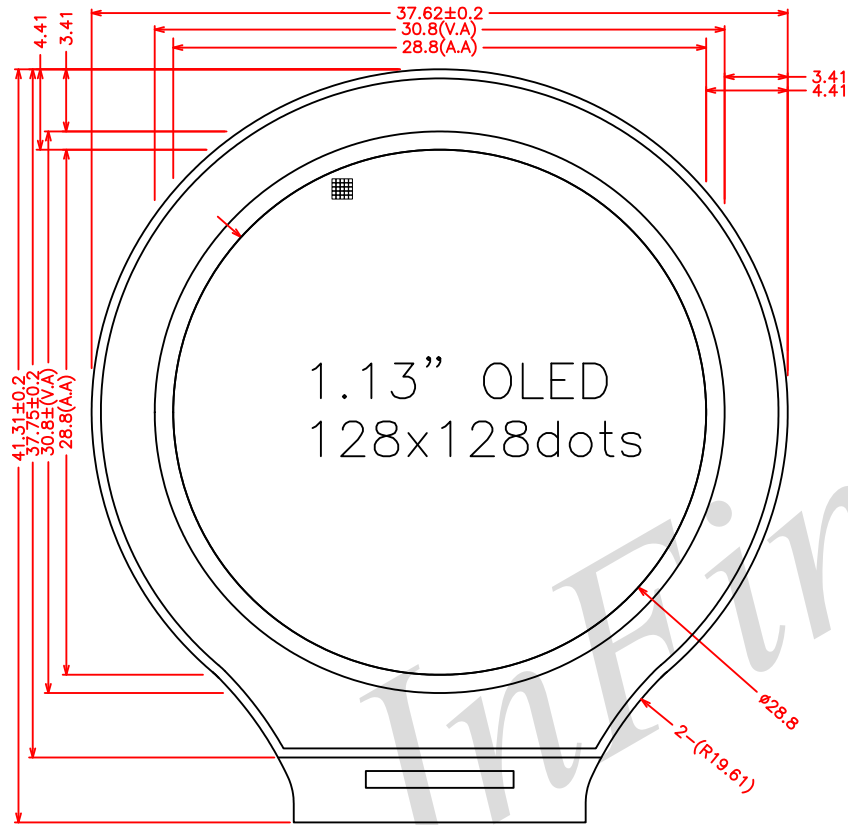
Description	Spec	Remark
OLED Type	PMOLED	
Active Screen size(inch)	1.1" diagonal	inch
Resolution	96RGB(H) x96 (V)	pixels
Active Area(mm)	19.85(W) x 19.85(H)	mm
Outline Dimension(mm)	25.49(W) x29.10(H)	mm
Glass Border(mm)	2.385/6.865/2.824/2.824	U/D/L/R
Panel Thickness(mm)	1.45	With Polarizer
Driver IC	LD7134	
Interface	6/8/16bit Parallel/SPI	
Brightness(nits)	100	
Power Consumption(mW)	122	30% Pixel on
Display color	65K	
Contrast Ratio	5000	Darkroom
Viewing Angle	160	
Lifetime(hrs)	10000	T50

1.12" 128*128 Spec



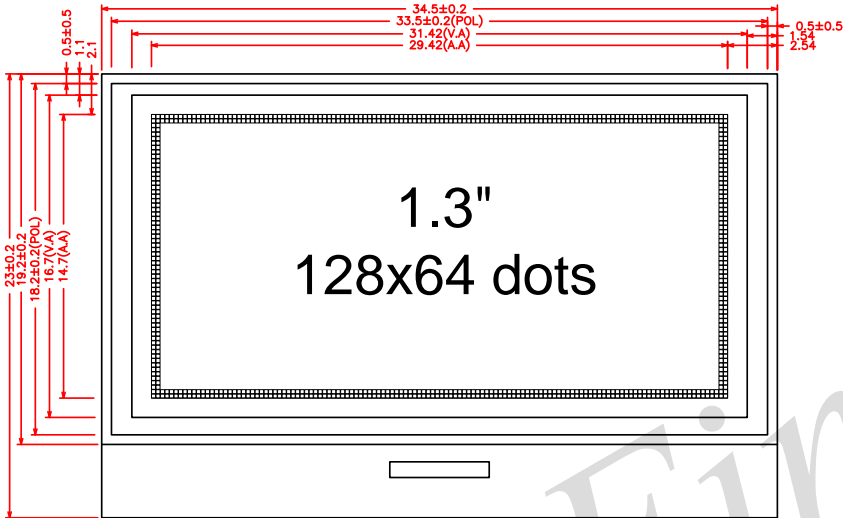
Description	Spec	Remark
OLED Type	PMOLED	
Active Screen size(inch)	1.12" diagonal	inch
Resolution	128(H) x128 (V)	pixels
Active Area(mm)	20.14(W) x 20.14(H)	mm
Outline Dimension(mm)	27.00(W) x30.10(H)	mm
Glass Border(mm)	1.9/8.06/3.43/3.43	U/D/L/R
Panel Thickness(mm)	1.25	With Polarizer
Driver IC	SH1107G	
Interface	8080 Parallel	
Brightness(nits)	120	
Power Consumption(mW)	110	30% Pixel on
Display color	White	
Contrast Ratio	5000	Darkroom
Viewing Angle	160	
Lifetime(hrs)	15000	T50

1.13" 128*128 Spec



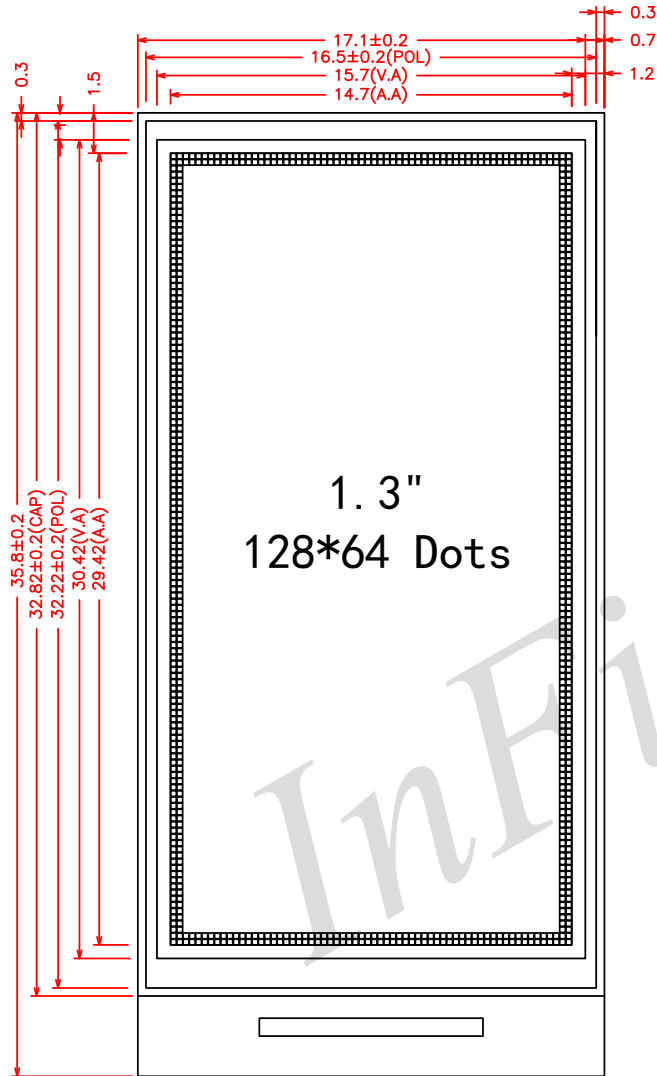
Description	Spec	Remark
OLED Type	PMOLED	
Active Screen size(inch)	1.13" diagonal	inch
Resolution	128(H) x128 (V)	pixels
Active Area(mm)	28.80(W) x 28.80(H)	mm
Outline Dimension(mm)	37.62(W) x41.31(H)	mm
Glass Border(mm)	3.41/8.1/4.41/4.41	U/D/L/R
Panel Thickness(mm)	1.45	With Polarizer
Driver IC	SSD1327ZB	
Interface	Parallel/4-SPI/IIC	
Brightness(nits)	100	
Power Consumption(mW)	300	30% Pixel on
Display color	White	
Contrast Ratio	5000	Darkroom
Viewing Angle	160	
Lifetime(hrs)	20000	T50

1.3" 128*64 Spec



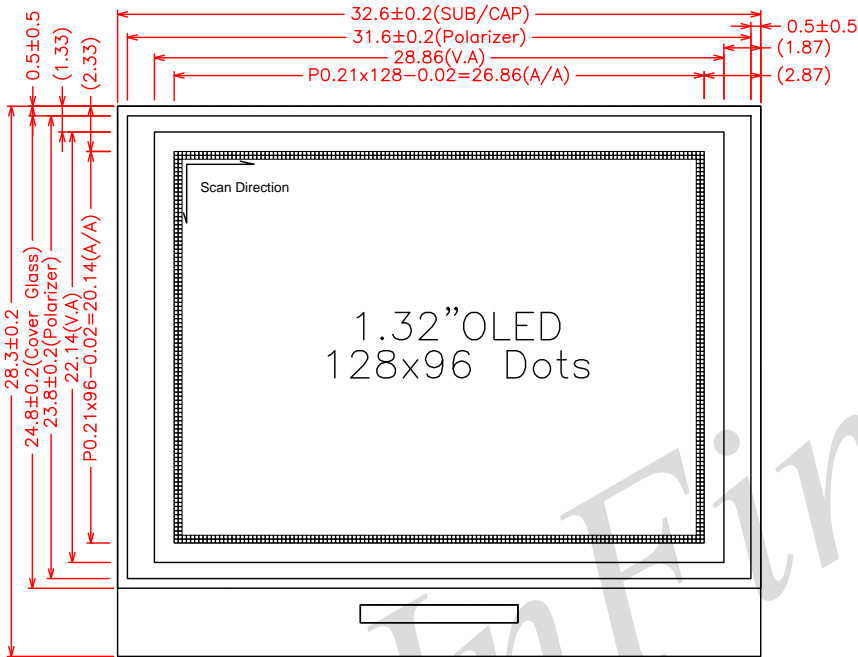
Description	Spec	Remark
OLED Type	PMOLED	
Active Screen size(inch)	1.3" diagonal	inch
Resolution	128(H) x64 (V)	pixels
Active Area(mm)	29.42(W) x 14.70(H)	mm
Outline Dimension(mm)	34.50(W) x23.00(H)	mm
Glass Border(mm)	2.1/6.2/2.54/2.54	U/D/L/R
Panel Thickness(mm)	1.45	With Polarizer
Driver IC	CH1116G	
Interface	Parallel/Serial/IIC	
Brightness(nits)	120	
Power Consumption(mW)	65	30% Pixel on
Display color	White	
Contrast Ratio	10000	Darkroom
Viewing Angle	160	
Lifetime(hrs)	20000	T50

1.3" 64*128 Spec



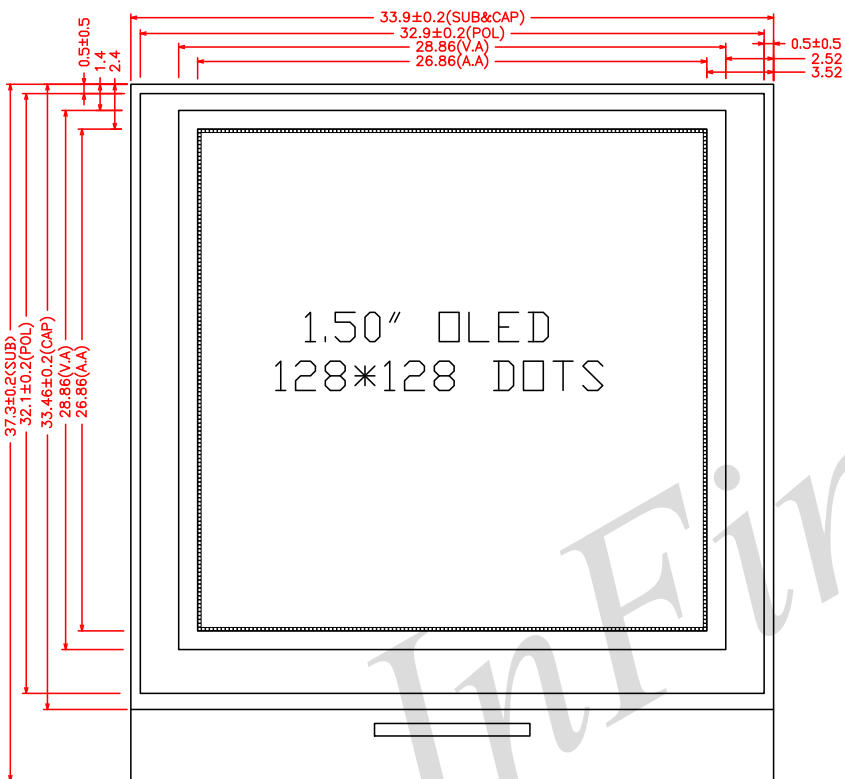
Description	Spec	Remark
OLED Type	PMOLED	
Active Screen size(inch)	1.3" diagonal	inch
Resolution	64(H) x128 (V)	pixels
Active Area(mm)	14.70(W) x 29.42(H)	mm
Outline Dimension(mm)	17.10(W) x35.80(H)	mm
Glass Border(mm)	1.5/4.88/1.20/1.20	U/D/L/R
Panel Thickness(mm)	1.43	With Polarizer
Driver IC	SH1107G	
Interface	4-SPI/IIC	
Brightness(nits)	90	
Power Consumption(mW)	90	30% Pixel on
Display color	White	
Contrast Ratio	5000	Darkroom
Viewing Angle	160	
Lifetime(hrs)	20000	T50

1.32" 128*96 Spec



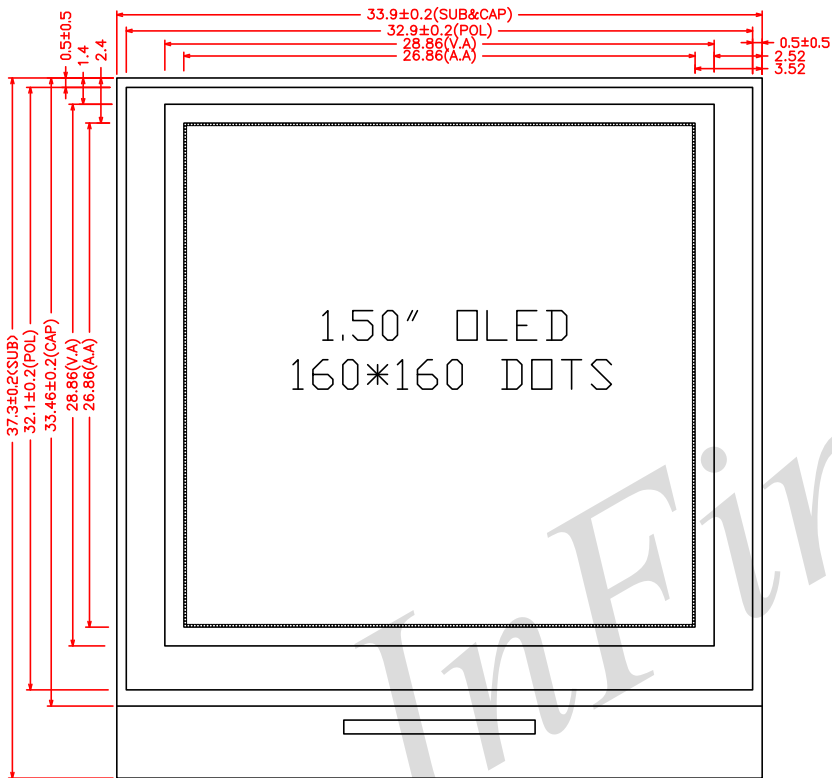
Description	Spec	Remark
OLED Type	PMOLED	
Active Screen size(inch)	1.32" diagonal	inch
Resolution	128(H) x96 (V)	pixels
Active Area(mm)	26.86(W) x 20.14(H)	mm
Outline Dimension(mm)	32.60(W) x28.30(H)	mm
Glass Border(mm)	2.33/5.83/2.87/2.87	U/D/L/R
Panel Thickness(mm)	1.6	With Polarizer
Driver IC	SSD1327Z	
Interface	4-SPI	
Brightness(nits)	160	
Power Consumption(mW)	250	30% Pixel on
Display color	White	
Contrast Ratio	5000	Darkroom
Viewing Angle	160	
Lifetime(hrs)	10000	T50

1.5" 128*128 Spec



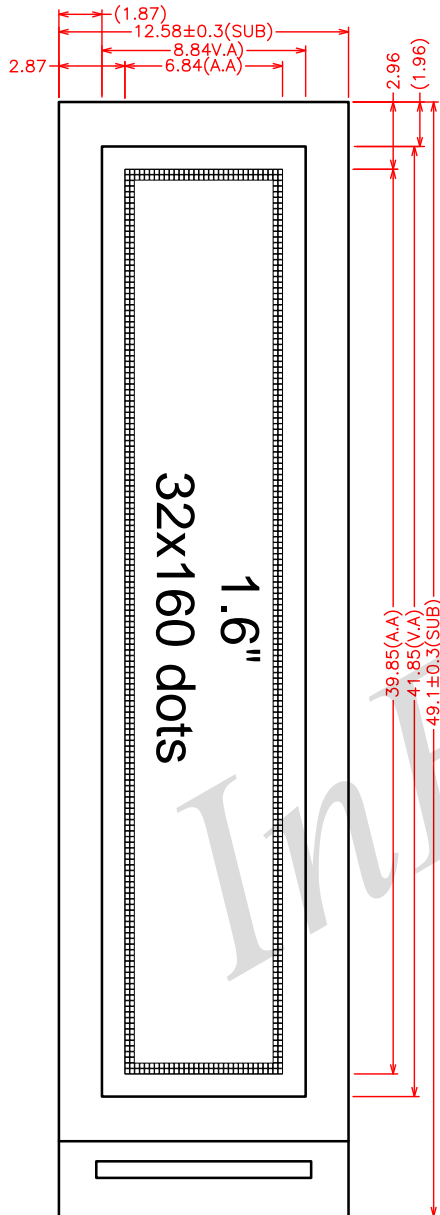
Description	Spec	Remark
OLED Type	PMOLED	
Active Screen size(inch)	1.5" diagonal	inch
Resolution	128(H) x128 (V)	pixels
Active Area(mm)	26.86(W) x 26.86(H)	mm
Outline Dimension(mm)	33.90(W) x37.30(H)	mm
Glass Border(mm)	2.4/8.045/3.523/3.523	U/D/L/R
Panel Thickness(mm)	1.45	With Polarizer
Driver IC	SH1107G	
Interface	Parallel/SPI/IIC	
Brightness(nits)	100	
Power Consumption(mW)	120	30% Pixel on
Display color	White	
Contrast Ratio	10000	Darkroom
Viewing Angle	160	
Lifetime(hrs)	20000	T50

1.5" 160*160 Spec



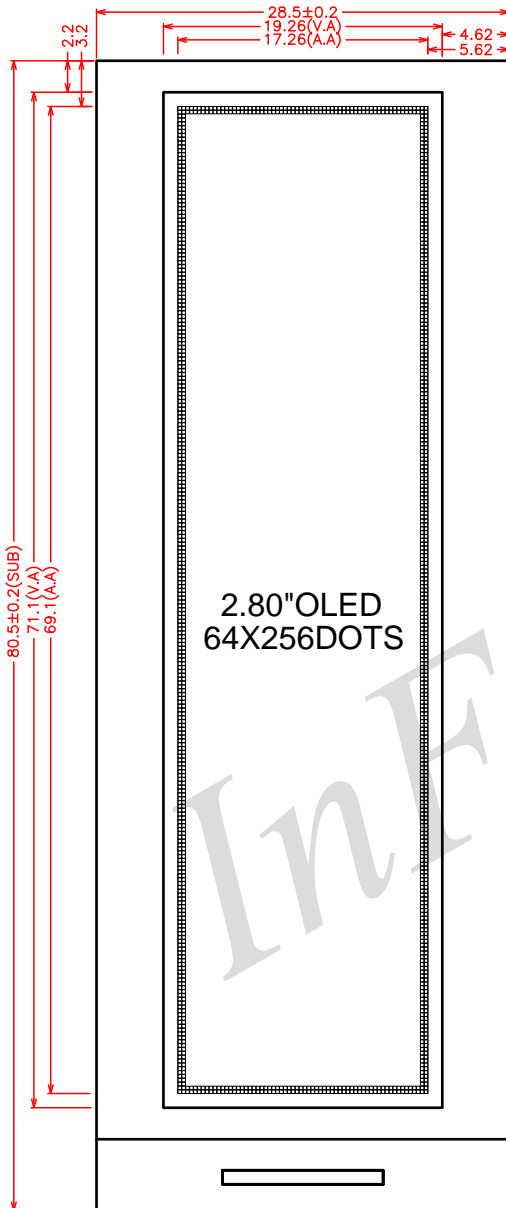
Description	Spec	Remark
OLED Type	PMOLED	
Active Screen size(inch)	1.5" diagonal	inch
Resolution	160(H) x160 (V)	pixels
Active Area(mm)	26.855(W) x 26.855(H)	mm
Outline Dimension(mm)	33.90(W) x37.30(H)	mm
Glass Border(mm)	2.4/8.045/3.523/3.523	U/D/L/R
Panel Thickness(mm)	1.45	With Polarizer
Driver IC	SH1108G	
Interface	Parallel/Serial/IIC	
Brightness(nits)	100	
Power Consumption(mW)	220	30% Pixel on
Display color	White	
Contrast Ratio	10000	Darkroom
Viewing Angle	160	
Lifetime(hrs)	25000	T50

1.6" 32*160 Spec (Sample)



Description	Spec	Remark
OLED Type	Curved PMOLED	Engineering sample(18.Q4)
Active Screen size(inch)	1.6" diagonal	inch
Resolution	32(H) x160(V)	pixels
Active Area(mm)	6.84(W) x 39.85(H)	mm
Outline Dimension(mm)	12.58(W) x49.10(H)	mm
Glass Border(mm)	2.96/2.96/2.87/2.87	U/D/L/R
Panel Thickness(mm)	0.3	Without polarizer
Driver IC	SSD1319	
Interface	Parallel/Serial/IIC	
Brightness(nits)	200	
Power Consumption(mW)	30	30% Pixel on
Display color	White	
Contrast Ratio	10000	Darkroom
Viewing Angle	160	
Lifetime(hrs)	TBD	T50

2.8" 64*256 Spec (Sample)



Description	Spec	Remark
OLED Type	Curved PMOLED	Engineering sample(18.Q3)
Active Screen size(inch)	2.8" diagonal	inch
Resolution	64(H) x256 (V)	pixels
Active Area(mm)	17.26(W) x 69.10(H)	mm
Outline Dimension(mm)	28.50(W) x80.50(H)	mm
Glass Border(mm)	3.2/3.2/5.62/5.62	U/D/L/R
Panel Thickness(mm)	0.3	Without polarizer
Driver IC	SSD1362Z	
Interface	Parallel/Serial/IIC	
Brightness(nits)	250	
Power Consumption(mW)	200	30% Pixel on
Display color	White	
Contrast Ratio	10000	Darkroom
Viewing Angle	160	
Lifetime(hrs)	TBD	T50