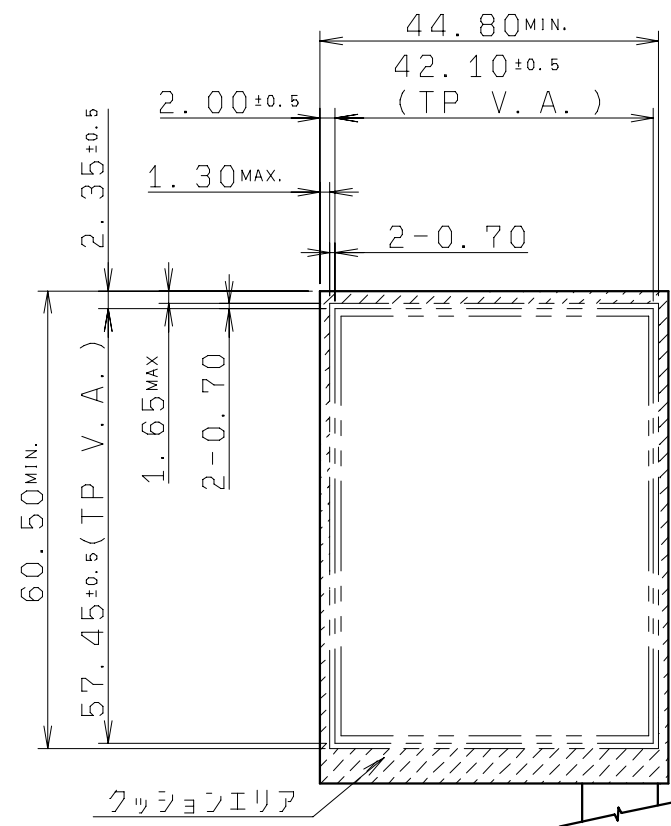
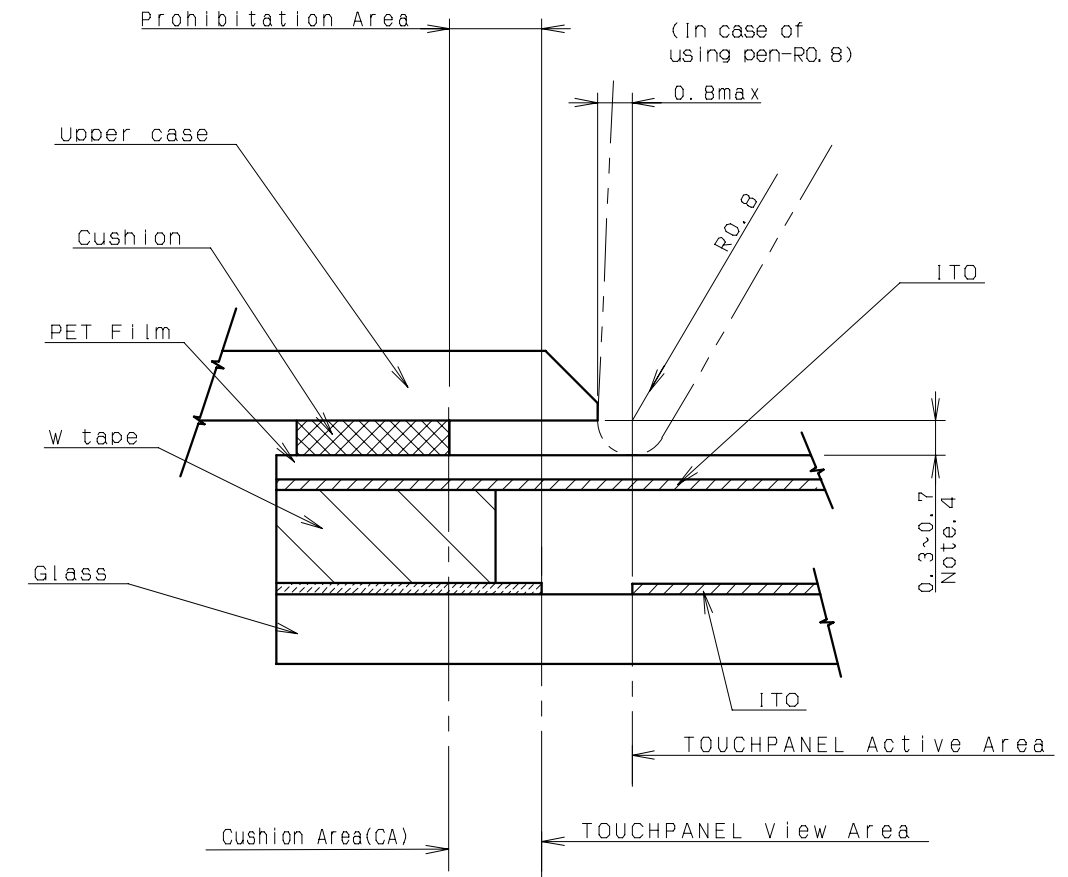


Example of Housing Design



Cushion Area

(S=2/1) Dimensions are Just for example



Design guidance for the upper case & the cushion

Note 10. Upper case opening

- a. Please place the upper case opening to maintain the operation by a stylus pen inside the TP response area
- b. The any pressures in the area between TP response area and TP viewing area is prohibited.
- c. Please use the appropriate material (PMMA, PC, etc.) as the upper case.

Note 11. Cushion design

- a. Please put the cushion on the upper case.
- b. Do not use an adhesive tape to stick on the TP surface.
- c. Please position the cushion over the cushion area to avoid a short.